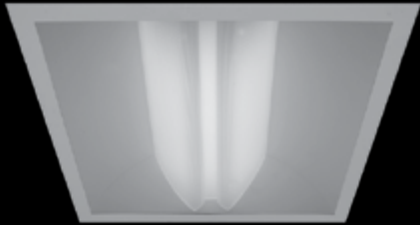


# Aerion® 1x1

FLUORESCENT



Standard Diffuser



Round Accent Strip



Square Accent Strip



Red Insert

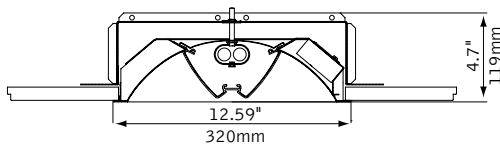


Green Insert



Blue Insert

## DIMENSIONAL DATA



### lamping options



BIAX LAMPS

### endcap detail



## FEATURES

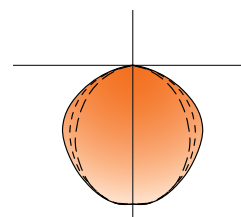
High efficiency architectural recessed fluorescent luminaire.

Aerion's sweeping curves and contemporary lines complement architecture.

Aerion's center lamp chamber provides minimal contrast between the diffuser and side reflectors creating even illumination and comfort.

The lamp diffuser has been designed with an upper and lower track that accepts individual or combinations of accent strips.

## PERFORMANCE



### PRODUCT OVERVIEW

Lumen Output: 780-1370lm  
 Wattage: 18-31W  
 Lamping: Biax

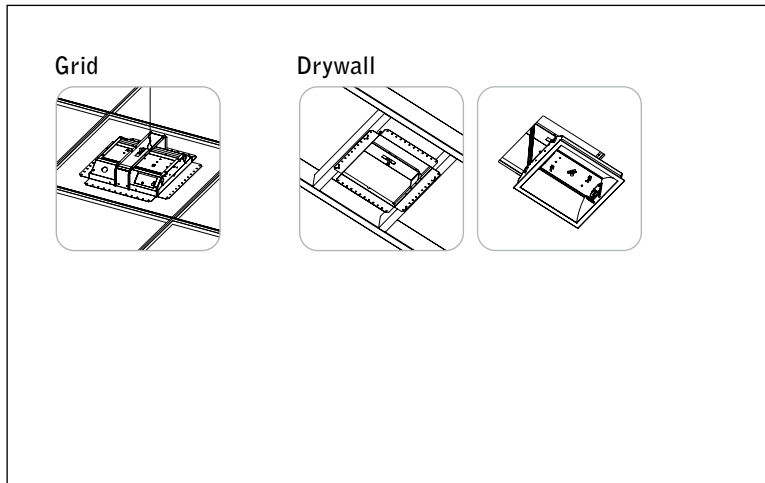
**1-Lamp 18W Biax**  
**65% Efficient**  
**319 cd @ 5°**

Visit [focalpointlights.com](http://focalpointlights.com) for complete photometric data.

fixture:

project:

## MOUNTING INFORMATION



## SPECIFICATIONS

### Construction

One piece 20 Ga. steel reflector and housing. 20 Ga. steel ends form finishing housing. Top access 20 Ga. steel ballast compartment. Housing ships with 20 Ga. galvanized steel mounting yoke. Unit weight: 10 lbs.

### Optic

20 Ga. steel reflectors finished in matte satin white powder coat. .095" thick frosted white acrylic lamp diffusers with linear micro-prism pattern. Optional .020" thick acrylic accent strip available in round or square pattern.

### Electrical

Electronic ballasts are thermally protected and have a Class "P" rating.

### Labels

UL and cUL listed.

### Finish

Polyester powder coat applied over a 5-stage pre-treatment. Optional Matte Satin White with anti-microbial coating provides 99.99% protection against a broad spectrum of micro-organisms.

## ORDERING

<b>Luminaire Series</b>	<b>Aerion</b>	<b>FAR</b>	<b>FAR</b>
<b>Nominal Size</b>	<b>1' x 1'</b>	<b>11</b>	<b>11</b>
<b>Shielding</b>	<b>Acrylic Diffuser</b>	<b>AC</b>	
	<b>Acrylic Diffuser with Round Accent Strip</b>	<b>RA</b>	
	<b>Acrylic Diffuser with Square Accent Strip</b>	<b>SA</b>	
<b>Optional Color Inserts</b>	<small>(Leave blank for no color)</small>		
	<b>Red</b>	<b>R</b>	
	<b>Green</b>	<b>G</b>	
	<b>Blue</b>	<b>B</b>	
<b>Lamp Quantity</b>	<b>One Lamp</b>	<b>1</b>	
	<b>Two Lamps</b>	<b>2</b>	
<b>Lamp Type</b>	<b>18W Biax</b>	<b>BX18</b>	<b>BX18</b>
<b>Circuit</b>	<b>Single Circuit</b>	<b>1C</b>	<b>1C</b>
<b>Voltage</b>	<b>120 Volt</b>	<b>120</b>	
	<b>277 Volt</b>	<b>277</b>	
<b>Ballast</b>	<b>Electronic Program Start &lt;10% THD</b>	<b>S</b>	<b>S</b>
<b>Mounting</b>	<b>Universal</b>	<b>U</b>	<b>U</b>
<b>Factory Options</b>	<b>Chicago Plenum</b>	<b>CP</b>	
	<b>HLR/GLR Fuse</b>	<b>FU</b>	
	<b>6' New York City Flex Whip</b>	<b>FNY</b>	
	<b>6' Flex Whip</b>	<b>FW</b>	
	<b>Include 3000K Lamp</b>	<b>L830</b>	
	<b>Include 3500K Lamp</b>	<b>L835</b>	
	<b>Include 4100K Lamp</b>	<b>L841</b>	
<b>Finish</b>	<b>Matte Satin White</b>	<b>WH</b>	
	<b>Matte Satin White with Anti-Microbial Coating</b>	<b>WHA</b>	

# Aerion™ 1x1

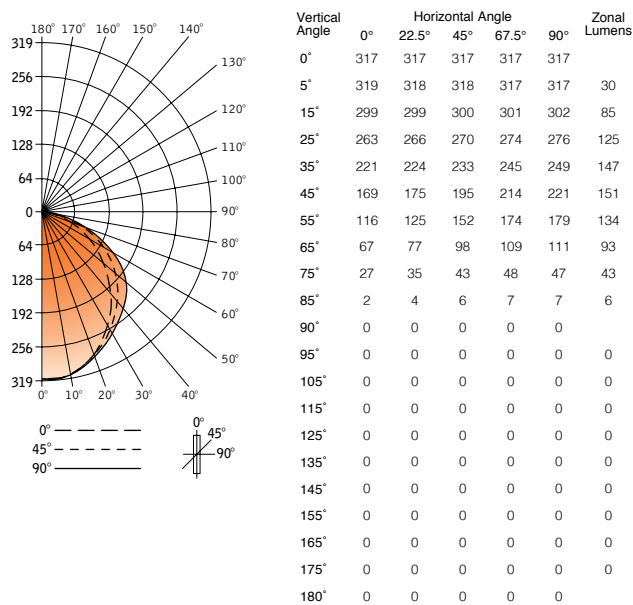
FLUORESCENT

## FAR-11-AC-1-BX18-S-120-U-WH

Filename: FAR11AC1BX18.IES  
Test #: 14323.0

Lumens: 814lm  
Efficiency: 65%

### CANDLEPOWER DISTRIBUTION



### LUMEN SUMMARY

Zone	Lumens	% Lamp	% Fixture
0-30°	240	19.2	29.5
0-40°	387	31.0	47.6
0-60°	673	53.8	82.6
0-90°	814	65.1	100
<b>Total Luminaire 0-180°</b>	<b>814</b>	<b>65.1</b>	<b>100</b>

### LUMINANCE DATA (CD/M²)

Vertical Angle	0°	45°	90°
45°	3004	3466	3928
55°	2542	3331	3922
65°	1993	2914	3301
75°	1311	2088	2282
85°	288	865	1009

### CO-EFFICIENTS OF UTILIZATION

Floor Ceiling Wall	80				70			20		50		30		10		00
	70	50	30	10	70	50	10	50	10	50	10	50	10	50	10	00
RCR 0	78	78	78	78	76	76	76	72	72	69	69	66	66	66	66	65
1	72	69	67	64	70	68	63	65	61	62	60	60	58	57	57	57
2	66	61	57	54	64	60	53	58	52	56	51	54	50	49	49	49
3	61	55	50	46	59	54	45	52	45	50	44	48	43	42	42	42
4	56	49	43	39	54	48	39	46	38	45	38	43	37	36	36	36
5	51	43	38	33	50	42	33	41	33	40	33	39	32	31	31	31
6	47	39	33	29	46	38	29	37	29	36	28	35	28	27	27	27
7	43	35	29	25	42	34	25	33	25	32	25	31	25	23	23	23
8	40	31	26	22	39	31	22	30	22	29	22	28	21	20	20	20
9	37	28	23	19	36	28	19	27	19	26	19	25	19	17	17	17
10	34	28	20	17	33	25	17	24	17	24	17	23	17	15	15	15

Numbers indicate percentage values of reflectivity.

Go to [www.focalpointlights.com](http://www.focalpointlights.com) for additional photometric data.

# Aerion™ 1x1

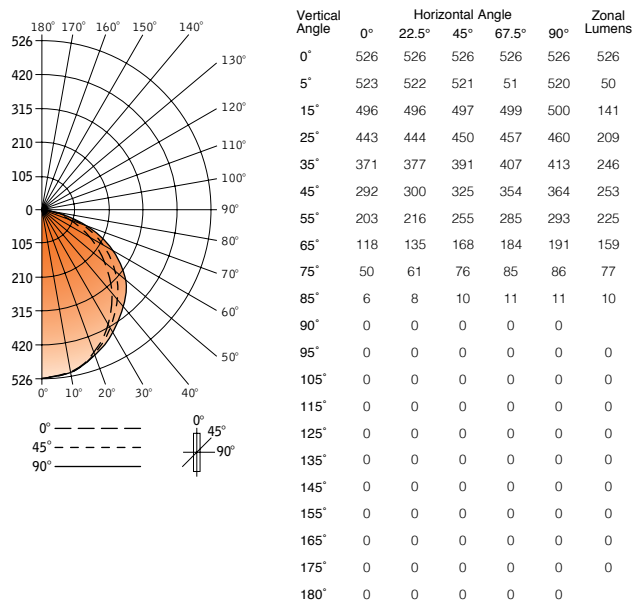
FLUORESCENT

## FAR-11-AC-2-BX18-S-120-U-WH

Filename: FAR11AC2BX18.IES  
Test #: 14321.0

Lumens: 1370lm  
Efficiency: 55%

### CANDLEPOWER DISTRIBUTION



### LUMEN SUMMARY

Zone	Lumens	% Lamp	% Fixture
0-30°	399	16.0	29.2
0-40°	645	25.8	47.1
0-60°	1124	44.9	82.0
0-90°	1370	54.8	100
<b>Total Luminaire 0-180°</b>	<b>1370</b>	<b>54.8</b>	<b>100</b>

### LUMINANCE DATA (CD/M²)

Vertical Angle	0°	45°	90°
45°	5190	5777	6470
55°	4448	5588	6420
65°	3509	4996	5680
75°	2428	3691	4176
85°	865	144	1586

### CO-EFFICIENTS OF UTILIZATION

Floor Ceiling Wall	80				70			20		50		30		10		00
	70	50	30	10	70	50	10	50	10	50	10	50	10	50	10	00
RCR 0	65	65	65	65	64	64	64	61	61	58	58	56	56	55	55	55
1	60	58	56	54	59	57	53	55	52	52	50	51	49	48	48	48
2	55	51	48	45	54	50	45	49	44	47	43	45	42	41	41	41
3	51	46	42	38	50	45	38	43	37	42	37	40	36	35	35	35
4	47	41	36	33	46	40	33	39	32	37	3	36	31	30	30	30
5	43	36	31	28	42	35	28	34	27	33	27	32	27	26	26	26
6	39	32	28	24	38	32	24	31	24	30	24	29	23	22	22	22
7	36	29	24	1	35	29	21	28	21	27	21	26	21	19	19	19
8	33	26	21	18	33	26	18	25	18	24	18	24	18	17	17	17
9	31	23	19	16	30	23	16	22	16	22	16	21	16	15	15	15
10	29	21	17	14	28	21	14	20	14	20	14	19	14	13	13	13

Numbers indicate percentage values of reflectivity.

Go to [www.focalpointlights.com](http://www.focalpointlights.com) for additional photometric data.