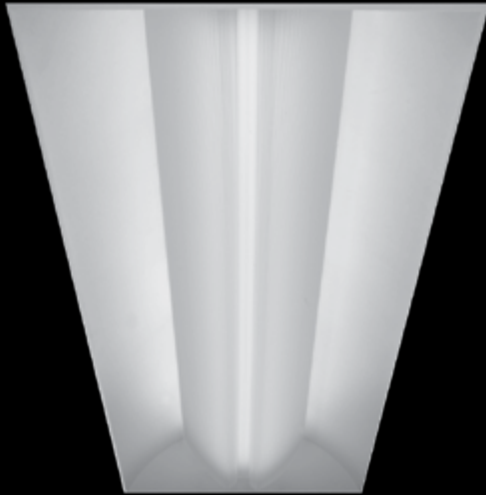
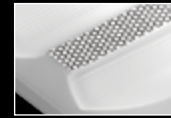


Aerion[®] 1x4

LED



standard diffuser



round accent strip



square accent strip



red insert

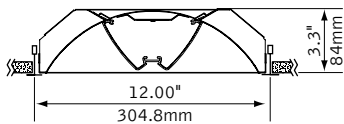


green insert

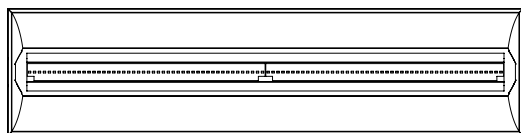


blue insert

DIMENSIONAL DATA



Overall height for luminaire with Air Return is 3.96"



2 LED boards

FEATURES

Architectural recessed LED luminaire.

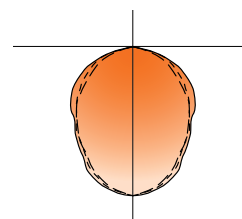
Aerion's sweeping curves and contemporary lines complement architecture.

Aerion's center lamp chamber provides minimal contrast between the diffuser and side reflectors creating even illumination and comfort.

Aerion features a shallow 3.3" housing depth which flies under the radar of most plenum obstructions.

The lamp diffuser has been designed with an upper and lower track that accepts individual or combinations of accent strips.

PERFORMANCE



Delivered Lumens: 3000lm
Total System Watts: 28W

PRODUCT OVERVIEW

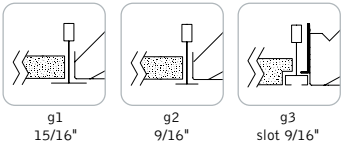
Lumen Output: 2500-4000lm
Wattage: 23-40W
LPW: 100-109
SDCM: 3



Photometric performance is measured in accordance with IESNA LM-79. Visit focalpointlights.com for complete photometric data. Visit designlights.org/QPL for model specifics.

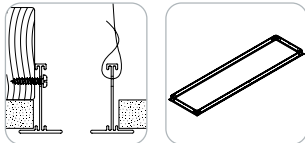
MOUNTING INFORMATION

grid
for lay-in grid, specify G1, G2 or G3.



g1
15/16"
g2
9/16"
g3
slot 9/16"

drywall frame kit
specify "DF" Drywall Frame Kit for drywall ceiling conditions.



Use tie-wire or screws to secure frame kit.

cut out dimensions:
1': Min: 12.25" Max: 12.563"
4': Min: 48.25" Max: 48.563"

SPECIFICATIONS

LED System

Proprietary linear LED module incorporates premium LEDs on a robust platform to achieve excellent thermal management. LEDs are placed to promote a uniform appearance. Available in 3000K, 3500K or 4000K with CRI>80, 3 SDCM. 0-10V dimming driver standard. LED modules are replaceable from below.

Construction

One piece 20 Ga. steel reflector and housing. 20 Ga. steel ends form finishing housing. Side access 20 Ga. steel ballast compartment. Positional brackets supplied as standard. Unit weight: 16 lbs.

Optic

20 Ga. steel reflectors finished in matte satin white powder coat. .095" thick frosted white acrylic lamp diffusers with linear micro-prism pattern. Optional .020" thick acrylic accent strip available in round or square pattern.

Electrical

Standard 120-277V driver includes 0-10V analog dimming. Power factor > .9. Optional EcoSystem or forward phase dimming drivers from Lutron available.

Emergency Battery

Bodine BSL310-CAN. Emergency output—10 watts for 90 minutes.

Labels

UL and cUL Listed. Suitable for Dry or Damp Locations, indoor use only.

Finish

Polyester powder coat applied over a multi-stage pre-treatment. Optional Matte Satin White with anti-microbial coating provides 99.99% protection against a broad spectrum of micro-organisms.

Lumen Maintenance

Reported: L90 at >61,000 hours Calculated: L90 at 114,000 hours
Derived from EPA TM-21 calculator. Based on typical conditions, consult factory for additional data.

Reliability

At Focal Point, our products are designed to stand the test of time. Each luminaire is engineered using superior components, manufactured with the utmost care and rigorously tested. Contact us for reliability data.

Warranty

LED system rated for operation in ambient environments up to 25°C. 5-year limited warranty.

PERFORMANCE CHART

Delivered Lumens		Tested System Watts	LPW
2500 Lumens	2500L	23	109
3000 Lumens	3000L	28	107
3500 Lumens	3500L	34	103
4000 Lumens	4000L	40	100

Lumen output may vary +/- 5%. Actual wattage may vary +/- 5%

ORDERING

Luminaire Series	FARL	FARL
Aerion LED	FARL	
Nominal Size		14
1' x 4'	14	
Shielding		
Acrylic Diffuser	AC	
Acrylic Diffuser with Round Accent Strip	RA	
Acrylic Diffuser with Square Accent Strip	SA	
Optional Color Inserts <small>(Leave blank for no color)</small>		
Red	R	
Green	G	
Blue	B	
Lumen Output		
2500 Lumens	2500L	
3000 Lumens	3000L	
3500 Lumens	3500L	
4000 Lumens	4000L	
Color Temperature		
3000K	30K	
3500K	35K	
4000K	40K	
Circuit		1C
Single Circuit	1C	
Voltage		
120 Volt	120	
277 Volt	277	
UNV Volt	UNV	
<small>(Cannot be specified with EM options)</small>		
Control System & Dimming Level		
0-10V - 1% Dimming	L11	
0-10V - 10% Dimming	LD1	
Lutron A-Series		
1% EcoSystem Digital	L3D	
Lutron Hi-Lume - Forward Phase - 1% Dimming	LTE	
<small>(120 only)</small>		
Step Dimming	SD5	
DALI - 1% Dimming	D11	
<small>(Consult factory)</small>		
Mounting		
15/16" Grid	G1	
9/16" Grid	G2	
9/16" Slot Tee	G3	
Drywall Frame Kit	F	
<small>(Cut out dimensions: Min: 12.25"/Max: 12.563" Min: 48.25"/Max: 48.563")</small>		
Factory Options		
Air Return	AR	
<small>(Overall height for luminaire with Air Return is 3.96")</small>		
Chicago Plenum	CP	
Emergency Battery Pack with Integral Test Switch	EM	
6' New York City Flex Whip	FNY	
6' Flex Whip	FW	
Finish		
Matte White Housing	WH	
Matte Satin White with Anti-Microbial Coating	WHA	

Aerion® 1x4

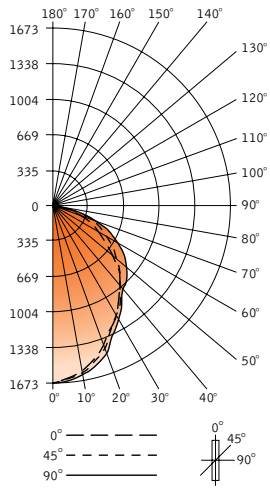
LED

FARL-14-AC-3000L-35K-1C-L11-120-WH

Filename: FARL14AC3000L35K.IES
 Test #: 17266.0

Lumens: 3006lm
 System Watts: 28W
 LPW: 107

CANDLEPOWER DISTRIBUTION



Vertical Angle	Horizontal Angle				
	0°	22.5°	45°	67.5°	90°
0°	1195	1195	1195	1195	1195
5°	1183	1188	1181	1180	1181
15°	1122	1119	1094	1077	1071
25°	1006	989	952	934	930
35°	847	825	796	804	810
45°	659	64	645	684	704
55°	477	469	511	575	599
65°	311	317	385	428	433
75°	165	190	225	220	212
85°	41	57	61	61	60
90°	0	0	0	0	0
95°	0	0	0	0	0
105°	0	0	0	0	0
115°	0	0	0	0	0
125°	0	0	0	0	0
135°	0	0	0	0	0
145°	0	0	0	0	0
155°	0	0	0	0	0
165°	0	0	0	0	0
175°	0	0	0	0	0
180°	0	0	0	0	0

LUMEN SUMMARY

Zone	Lumens	% Fixture
0-30°	863	28.7
0-40°	1371	45.6
0-60°	2352	78.3
0-90°	3006	100.0
Total Luminaire 0-180°	3006	100.0

LUMINANCE DATA (CD/M²)

Vertical Angle	0°	45°	90°
45°	2781	2719	2968
55°	2479	2657	3112
65°	2196	2718	3054
75°	1902	2589	2446
85°	1404	2089	2055

Go to www.focalpointlights.com for additional photometric data.