

LINE SYSTEM 7480X

PROJECT PROJET

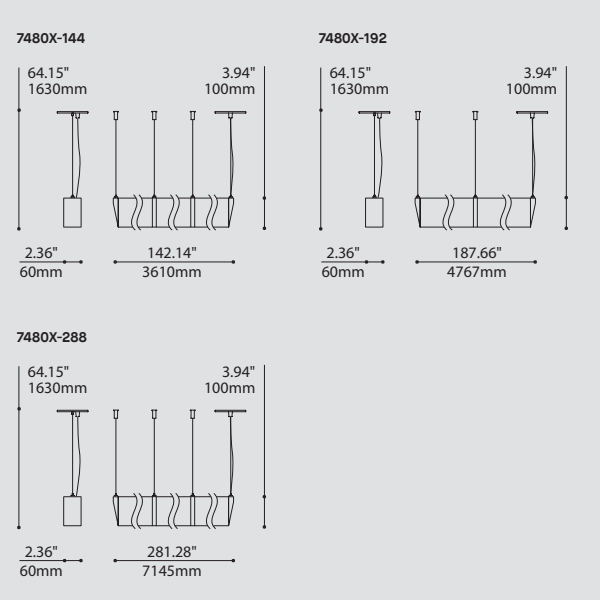
SPEC TYPE

NOTES



JOINER

JOINER



ORDERING SPECIFICATION SPÉCIFICATION DE COMMANDE

CODE

MODEL MODÈLE

74800D	LINE DIRECT
74800I	LINE INDIRECT
74801D	LINE DIRECT (HIGH EFFICIENCY)
74801I	LINE INDIRECT (HIGH EFFICIENCY)
74802D	LINE DIRECT LED
74802I	LINE INDIRECT LED

LUMINAIRE LENGTH LONGUEUR DU LUMINAIRE

144	144" (3 X 48")
192	192" (2 X 96")
288	288" (3 X 96")

LIGHT SOURCE SOURCE LUMINEUSE

(WATTAGE, LAMP TYPE, LAMP FORM, BASE TYPE, OTHER INFO)

74800/74801-144"		74802-144"	
3XF.T5.28	28W X 3, T5	LED	REGULAR OUTPUT
3XF.T5.54	54W X 3, T5 HO		
74800/74801-192"		74802-192"	
4XF.T5.28	28W X 4, T5	LED	REGULAR OUTPUT
4XF.T5.54	54W X 4, T5 HO		
74800/74801-288"		74802-288"	
6XF.T5.28	28W X 6, T5	LED	REGULAR OUTPUT
6XF.T5.54	54W X 6, T5 HO		

COLOR TEMPERATURE TEMPÉRATURE DE COULEUR

FOR LED ONLY

30	3000K
35	3500K
40	4000K

VOLTAGE VOLTAGE

120V	120 VOLT
277V	277 VOLT
347V*	347 VOLT

*ONLY AVAILABLE WITH T5 (NON-DIMMING BALLAST)

DIMMING OPTION OPTION DE GRADATION

AVAILABLE FOR 3XF.T5.54, 4XF.T5.54 AND 6XF.T5.54 ONLY

DM1 ADVANCE MARK 10 ELECTRONIC DIMMING BALLAST

AVAILABLE WITH ALL T5 LIGHT SOURCES

DM7	ADVANCE MARK 7 ELECTRONIC DIMMING BALLAST
D3D	LUTRON HI-LUME 3D ELECTRONIC DIMMING BALLAST (ECOSYSTEM DIGITAL LINK WIRING)
D33	LUTRON HI-LUME 3D ELECTRONIC DIMMING BALLAST (3-WIRE WIRING)

AVAILABLE FOR ALL LED LIGHT SOURCES

DV	0-10V DIMMING (120-277V)
DP	PHASE DIMMING (120V ONLY)

EMERGENCY BATTERY BATTERIE D'URGENCE

AVAILABLE WITH ALL T5 NON-DIMMING LIGHT SOURCES (120V OR 277V ONLY) AND T5 DM1 DIMMING.

EM EMERGENCY BATTERY

CABLE CABLE

AC AIRCRAFT MOUNTING & CLEAR CABLE, FIELD ADJUSTABLE

CABLE LENGTH LONGUEUR DE CABLE

60	60" AIRCRAFT CABLE (STD LENGTH)
**	CUSTOM AIRCRAFT CABLE LENGTH (PLEASE SPECIFY)

FOR OVERALL LENGTH PLEASE CONTACT YOUR EUREKA REPRESENTATIVE.

STRUCTURE FINISH FINI STRUCTURE

WH WHITE

DIFFUSER FINISH FINI DIFFUSEUR

WH WHITE

END CAP FINISH FINI EMBOUT

CHR	CHROME
WH	WHITE

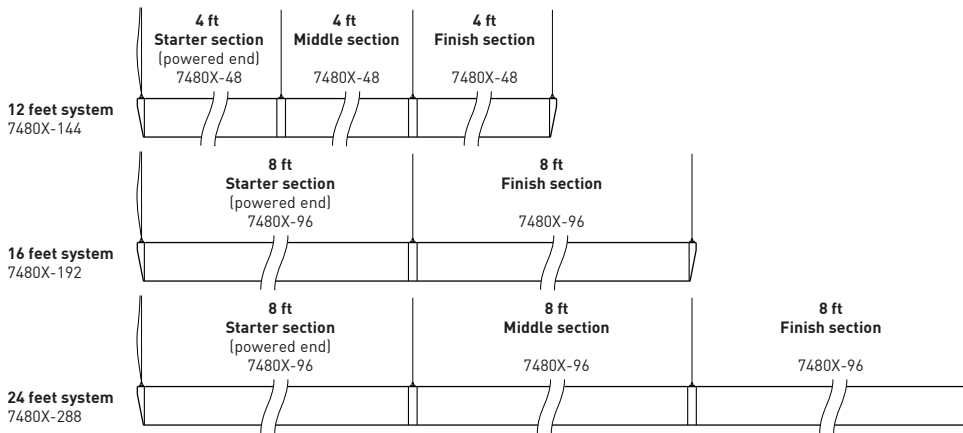
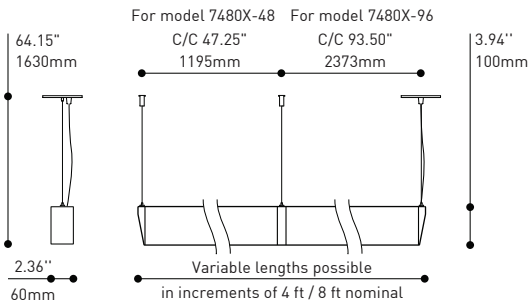
PRODUCT CHARACTERISTICS CARACTÉRISTIQUES DU PRODUIT

BIM **DIM** **EM** **LED**



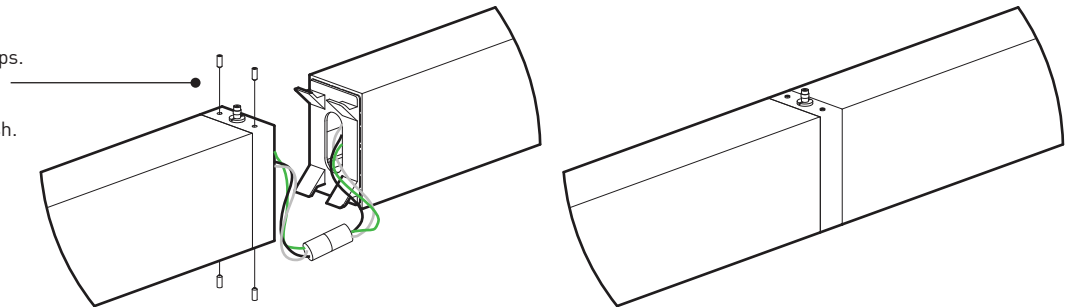
SPECIFICATION

Suspension Mounting Points



Other system lengths (composed of 4 ft and 8 ft modules)
 Consult Factory

Fixtures each shipped separately, fitted with joiner caps.
 Tightened by joiner caps using four set screws.
 Each junction assembly holds mounting point.
 Plug and play wire connections. Chrome or white finish.



SPECIFICATIONS

LIGHT DISTRIBUTION
 JOINER CAPS
 WARRANTY

7480X JOINER CAP

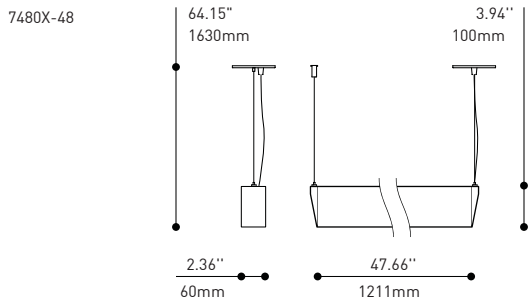
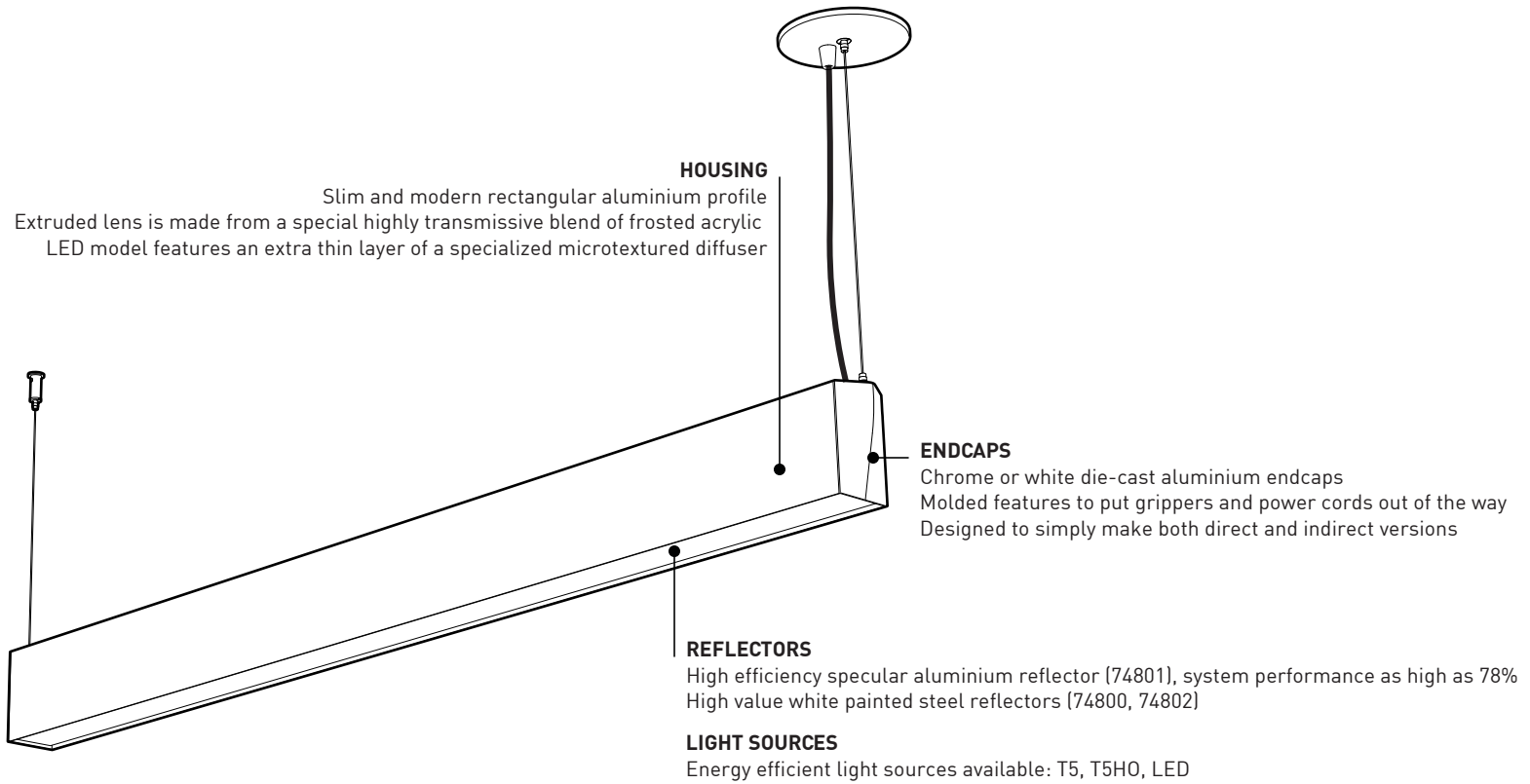
Direct or Indirect
 Chrome or white diecast aluminium (0.070" nominal)
 1 year



225 de Liège Ouest, Suite #200
 Montréal (QC), Canada H2P 1H4
 Tel : 514.385.3515 Fax : 514.385.4169
www.eurekalighting.com



74800 | 74801 | 74802



SPECIFICATIONS

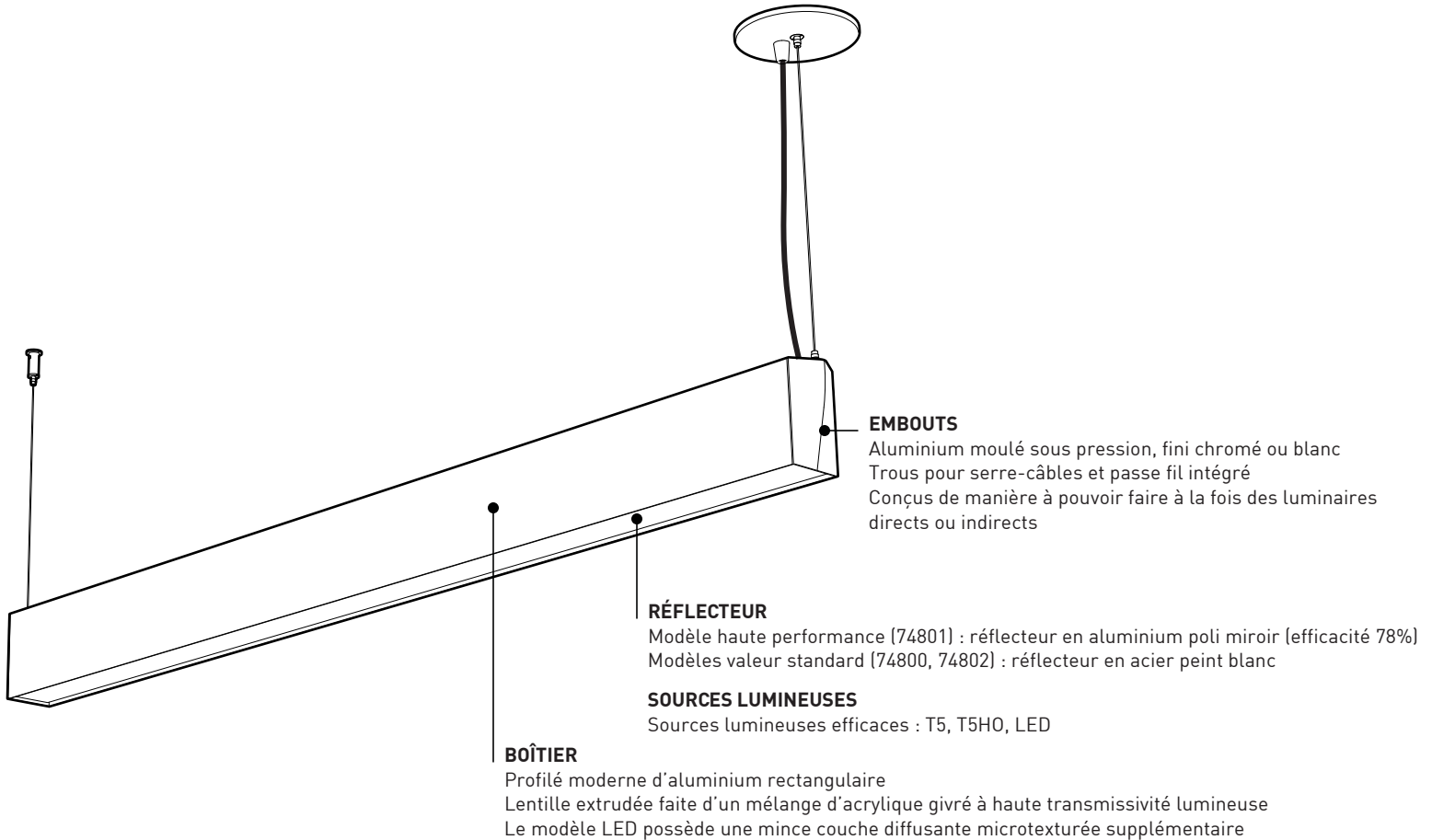
	74800 / 74801	74802
LIGHT SOURCE	1 x T5 / T5HO	48 x NICHIA LED
LIGHT DISTRIBUTION	Direct or Indirect	
LUMENS (DELIVERED)		1269 lm (REG) or 1813 lm (HO)
SYSTEM WATTAGE	~41W (T5) - ~63W (T5HO)	~18W (REG) - ~28W (HO)
HOUSING	Extruded white powder coated aluminium (0.075" nominal)	
ENDCAPS	Chrome or white die-cast aluminium (0.070" nominal)	
INNER BRACKETS	Die-formed sheet steel (20 Ga to 14 Ga)	
REFLECTOR	Die-formed white powder coated 20 Ga steel / 24 Ga specular aluminium	White powder coated 20 Ga steel
OPTICS	Extruded frosted PMMA 0.080"	Extruded PMMA 0.080" + microdiffusing layer (0.020")
VOLTAGE	120V-277V or 347V	120V or 277V
DIMMING	Advance Mark 7 (T5), Mark 10 (T5HO) or Lutron	Phase (DP) or 0-10V (DV) Dimming
EMERGENCY	IOTA ISL-54 (1 Lamp 28w/54w)	N/A
WARRANTY	1 year	5 years



225 de Liège Ouest, Suite #200
Montréal (QC), Canada H2P 1H4
Tel : 514.385.3515 Fax : 514.385.4169
www.eurekalighting.com

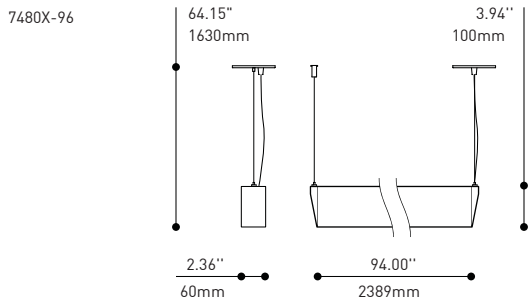
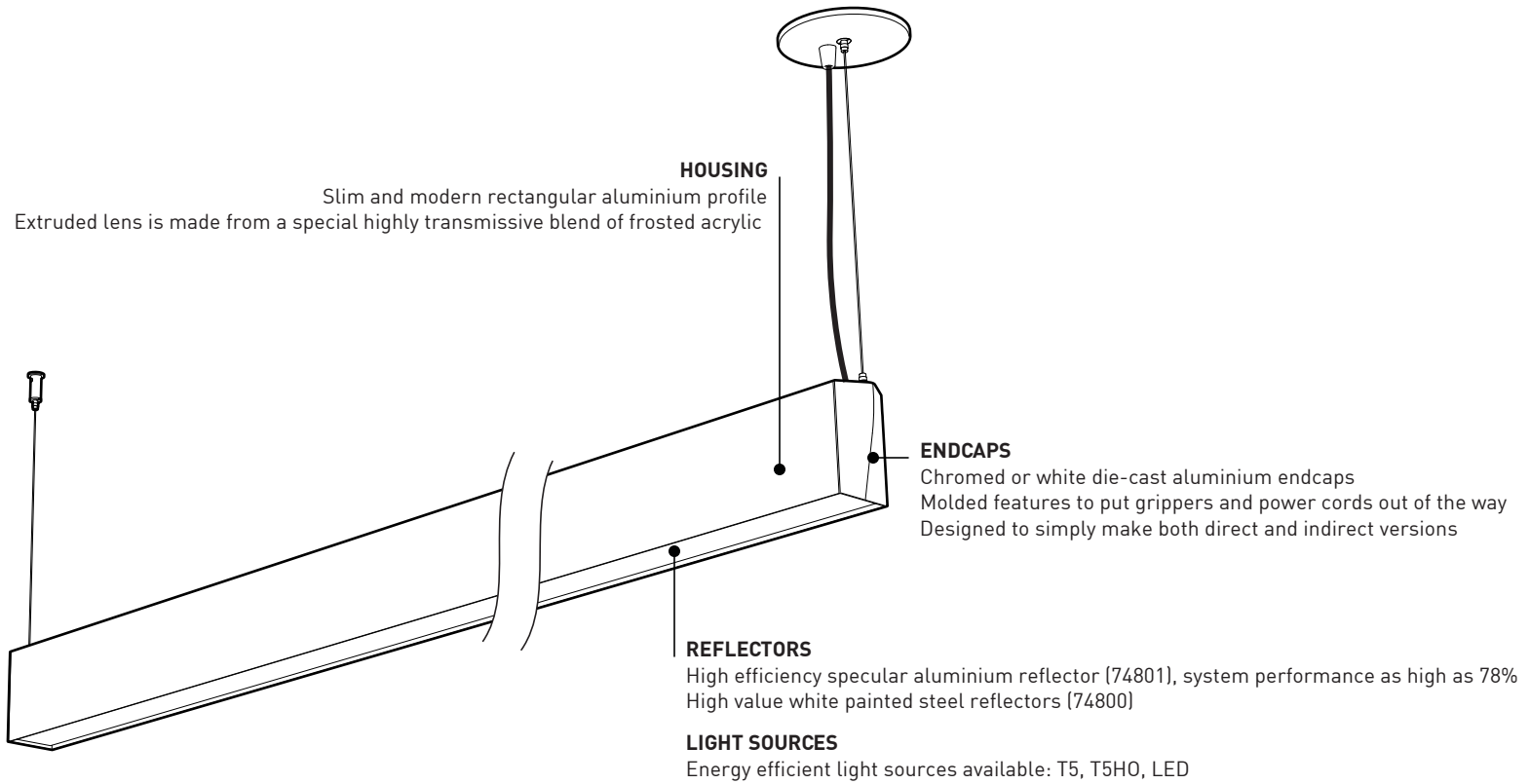


74800 | 74801 | 74802



CARACTÉRISTIQUES 74800 / 74801

	74800 / 74801	74802
SOURCE LUMINEUSE	1 x T5 / T5HO	48 x NICHIA LED
DISTRIBUTION LUMINEUSE	Directe ou Indirecte	
LUMENS (LIVRÉS)		1269 lm or 1813 lm (HO)
CONSOMMATION TOTALE	~41W (T5) - ~63W (T5HO)	~18W (REG) - ~28W (HO)
BOÎTIER	Aluminium extrudé (2mm nominal) et peinture électrostatique blanche	
EMBOUS	Aluminium moulé sous pression, fini chromé ou blanc (2mm nominal)	
PIÈCES INTERNES	Acier en feuille formé par pliage (épaisseur variables, de 20 à 14 Ga)	
RÉFLECTEUR	Métal en feuille plié (Acier peint blanc 20 Ga / Aluminium 24 Ga miroir)	Acier peint blanc 20 Ga
LENTILLE	Acrylique givré extrudé (2mm nominal)	Acrylique extrudé (2mm) + sous diffuseur fin (0.5mm)
VOLTAGE	120V-277V, 347V	120V ou 277V
GRADATION	Advance Mark 7 (T5), Mark 10 (T5HO), ou Lutron	Gradation phase (DP) ou 0-10V (DV)
ÉQUIPEMENT D'URGENCE	IOTA ISL-54 (1 Lampe 28w/54w)	N/A
GARANTIE	1 an	5 ans



SPECIFICATIONS

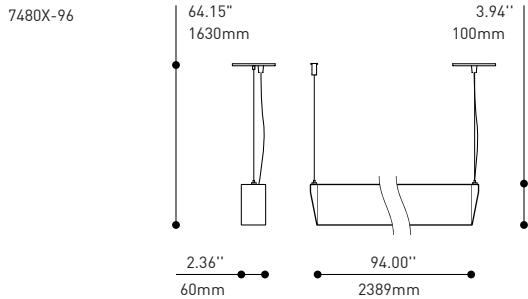
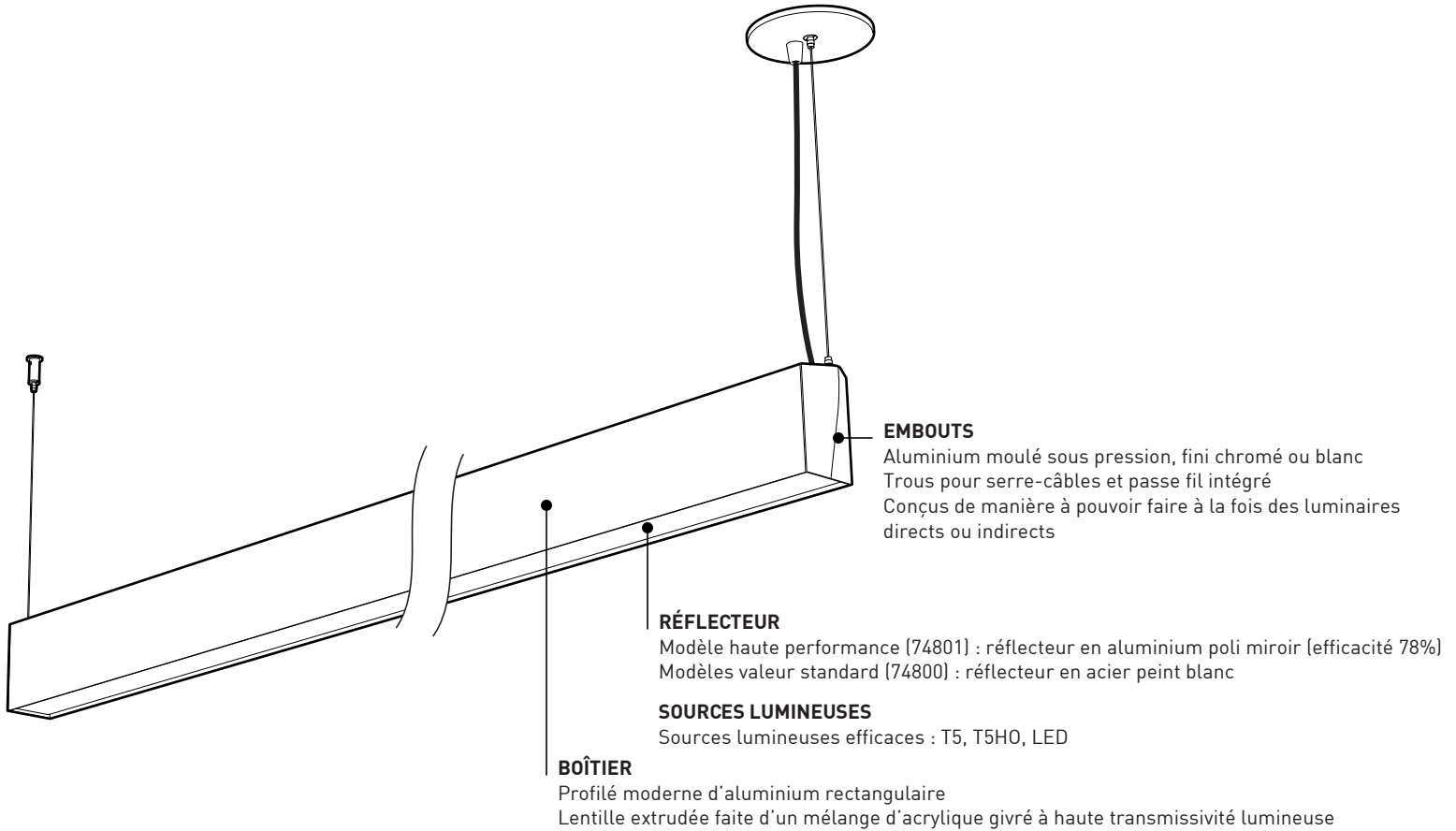
	74800 / 74801	74802
LIGHT SOURCE	2 x T5 / T5HO	96 x NICHIA LED
LIGHT DISTRIBUTION	Direct or Indirect	
LUMENS (DELIVERED)		2537 lm (REG) or 3626 lm (HO)
SYSTEM WATTAGE	~60W (T5) - ~162W (T5HO)	~34W (REG) - ~53W (HO)
HOUSING	Extruded white powder coated aluminium (0.075" nominal)	
ENDCAPS	Chrome or white die-cast aluminium (0.070" nominal)	
INNER BRACKETS	Die-formed sheet steel (20 Ga to 14 Ga)	
REFLECTOR	Die-formed white powder coated 20 Ga steel / 24 Ga specular aluminium	White powder coated 20 Ga steel
OPTICS	Extruded frosted PMMA 0.080"	Extruded PMMA 0.080" + microdiffusing layer (0.020")
VOLTAGE	120V-277V, 347V	120V or 277V
DIMMING	Advance Mark 7 (T5), Mark 10 (T5HO) or Lutron	Phase (DP) or 0-10V (DV) Dimming
EMERGENCY	IOTA ISL-54 (1 Lamp 28w/54w)	N/A
WARRANTY	1 year	5 years



225 de Liège Ouest, Suite #200
Montréal (QC), Canada H2P 1H4
Tel : 514.385.3515 Fax : 514.385.4169
www.eurekalighting.com



74800 | 74801 | 74802



CARACTÉRISTIQUES	74800 / 74801	74802
SOURCE LUMINEUSE	2 x T5 / T5HO	96x NICHIA LED
DISTRIBUTION LUMINEUSE	Directe ou Indirecte	
LUMENS (LIVRÉS)		2537 lm (REG) ou 3626 lm (HO)
CONSOMMATION TOTALE	~60W (T5) - ~162W (T5HO)	~34W (REG) - ~53W (HO)
BOÎTIER	Aluminium extrudé (2mm nominal) et peinture électrostatique blanche	
EMBOUS	Aluminium moulé sous pression, fini chromé ou blanc (2mm nominal)	
PIÈCES INTERNES	Acier en feuille formé par pliage (épaisseur variables, de 20 à 14 Ga)	
RÉFLECTEUR	Métal en feuille plié (Acier peint blanc 20 Ga / Aluminium 24 Ga miroir)	Acier peint blanc 20 Ga
LENTILLE	Acrylique givré extrudé (2mm nominal)	Acrylique extrudé (2mm) + sous diffuseur fin (0.5mm)
VOLTAGE	120V-277V, 347V	120V ou 277V
GRADATION	Advance Mark 7 (T5), Mark 10 (T5HO), ou Lutron	Gradation phase (DP) ou 0-10V (DV)
ÉQUIPEMENT D'URGENCE	IOTA ISL-54 (1 Lampe 28w/54w)	N/A
GARANTIE	1 an	5 ans