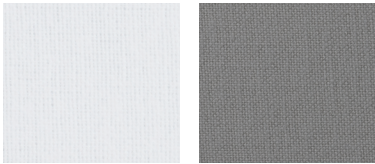


# THOMPSON 74542-48

PROJECT PROJÉT
SPEC TYPE
NOTES

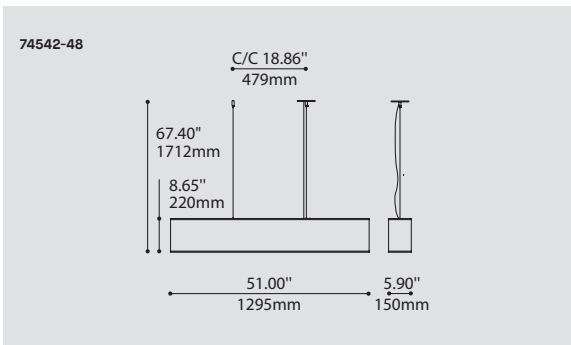


## OPTIONS



WLT (WASHABLE)

GLT (WASHABLE)



## ORDERING SPECIFICATION SPÉCIFICATION DE COMMANDE

CODE

MODEL MODÈLE 74542-48

74542-48 THOMPSON

### LIGHT SOURCE SOURCE LUMINEUSE

(WATTAGE, LAMP TYPE, LAMP FORM, BASE TYPE, OTHER INFO)

F.T5.28 28W, T5  
 F.T5.54 54W, T5 HO  
 LED.18 18W, LED  
 LED.22 22W, LED HO

### COLOR TEMPERATURE TEMPÉRATURE DE COULEUR

FOR LED ONLY

30 3000K  
 35 3500K  
 40 4000K

### VOLTAGE VOLTAGE

120V 120 VOLT  
 277V 277 VOLT  
 347V\* 347 VOLT  
 \*ONLY AVAILABLE WITH T5 (NON-DIMMING BALLAST)

### DIMMING OPTION OPTION DE GRADATION

AVAILABLE WITH F.T5.54 ONLY

DM1 ADVANCE MARK 10 ELECTRONIC DIMMING BALLAST

AVAILABLE WITH ALL T5 LIGHT SOURCES

DM7 ADVANCE MARK 7 ELECTRONIC DIMMING BALLAST  
 D3D LUTRON HI-LUME 3D ELECTRONIC DIMMING BALLAST (ECOSYSTEM DIGITAL LINK WIRING)  
 D33 LUTRON HI-LUME 3D ELECTRONIC DIMMING BALLAST (3-WIRE WIRING)

AVAILABLE WITH ALL LED LIGHT SOURCES

DV 0-10V DIMMING (120-277V)

### CABLE CABLE

AC

AC AIRCRAFT MOUNTING & CLEAR CABLE, FIELD ADJUSTABLE

### STEM OR CABLE LENGTH LONGUEUR DE TIGE OU CABLE

60 60" AIRCRAFT CABLE (STD LENGTH)  
 \*\* CUSTOM AIRCRAFT CABLE LENGTH (PLEASE SPECIFY)  
 FOR OVERALL LENGTH PLEASE CONTACT YOUR EUREKA REPRESENTATIVE.

### STRUCTURE FINISH FINI STRUCTURE<sup>(B)</sup>

CHR CHROME  
 SC SATIN CHROME  
<sup>(B)</sup> INCLUDE CANOPY FINISH IF A CANOPY IS SELECTED

### SHADE FINISH FINI ABAT-JOUR

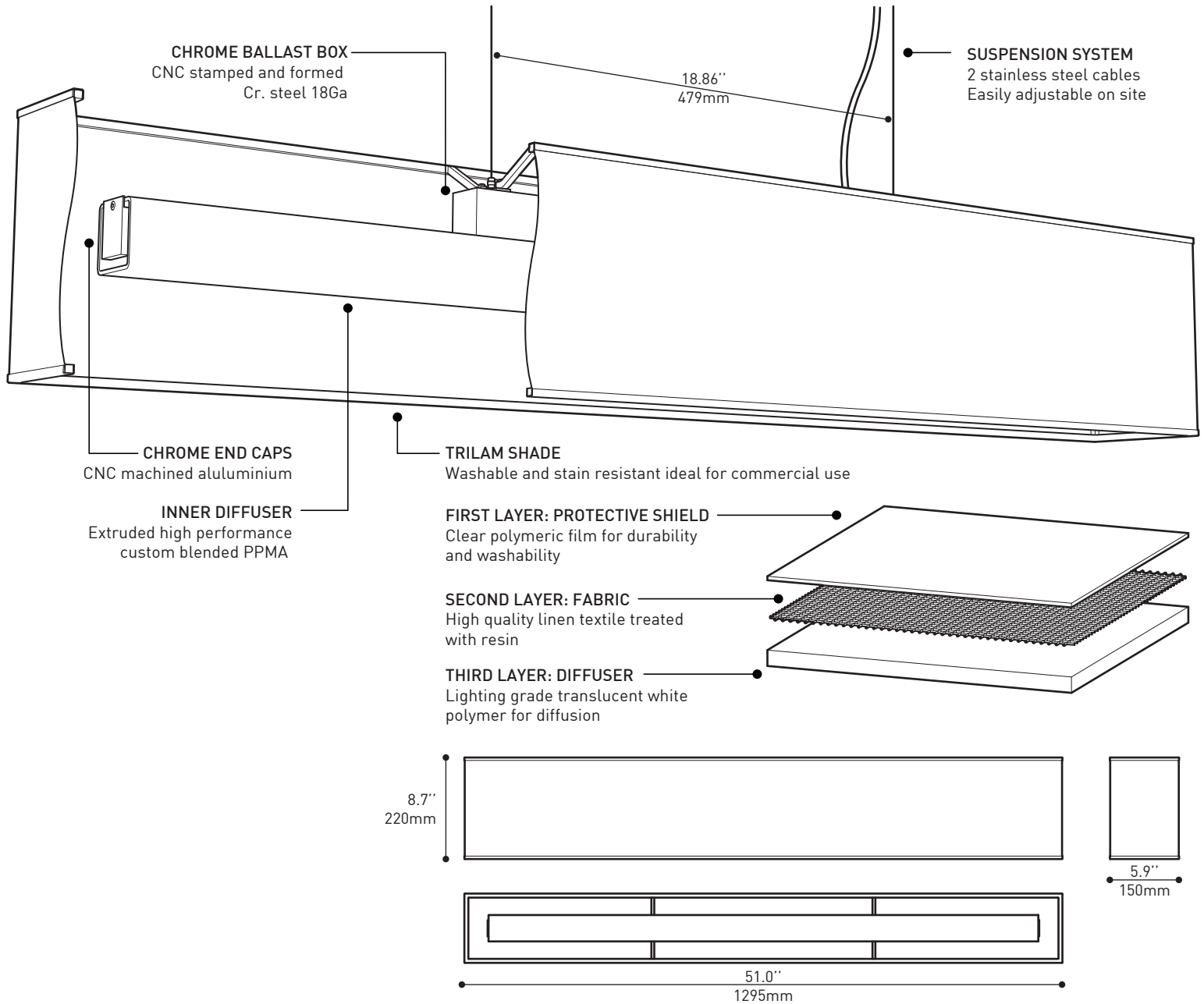
WLT WHITE - LINEN - TRILAM  
 GLT GRAY - LINEN - TRILAM

## PRODUCT CHARACTERISTICS CARACTÉRISTIQUES DU PRODUIT

**BIM** **DIM** **IES** **LED**

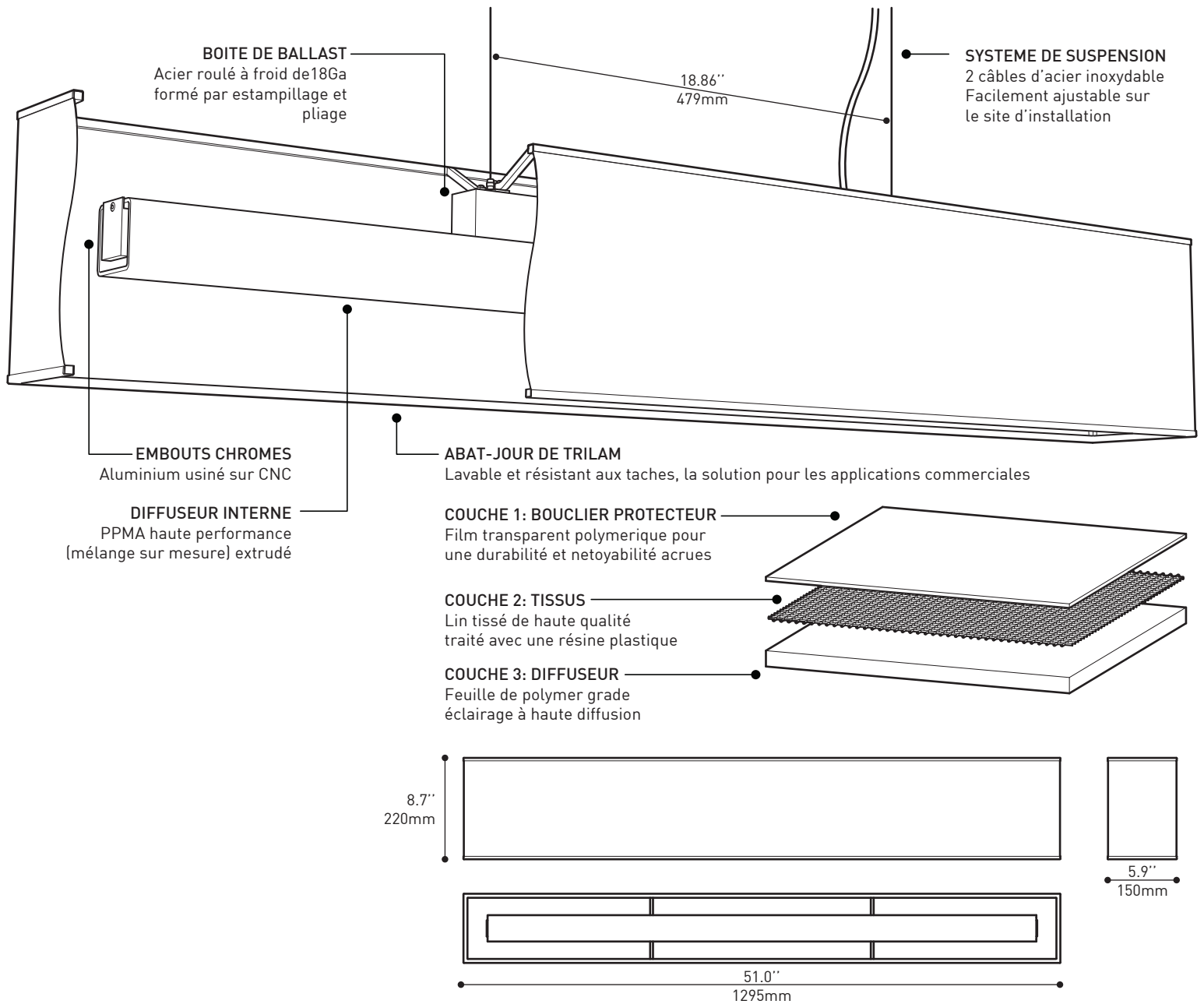
**DESIGN:** Floating light engine framed by perfectly proportioned, rectilinear, specification-grade fabric shade.  
**INSTALLATION:** Easy to install, adjust and level aircraft cable mounting.  
**LIGHT SOURCE:** LED or 28W T5 or 54W T5 HO light sources available. Dimming available.  
**STRUCTURE:** Machined aluminum end caps & die-stamped steel structure with plated finish.  
**SHADE:** Washable fabric shades in a range of colours.  
**DIFFUSER:** Extruded high performance custom blended PMMA.  
**CERTIFIED:** c-CSA-us, c-UL-us

**CONCEPTION:** Structure aérienne et rectiligne parfaitement proportionnée avec abat-jour en tissu de qualité.  
**INSTALLATION:** Facile à installer, ajuster et à équilibrer sur câble d'acier.  
**SOURCE LUMINEUSE:** DEL ou T5 28W et T5 HO 54W offerts. Ballasts à gradation offerts.  
**STRUCTURE:** Embout d'aluminium usiné et acier embouti plaqués.  
**ABAT-JOUR:** Variété de couleurs de tissus lavables.  
**DIFFUSEUR:** PMMA haute performance extrudé.  
**CERTIFIÉ:** c-CSA-us, c-UL-us



## SPECIFICATIONS

	LED 18W	T5 / T5HO
LIGHT SOURCE	36 x 0.5W Nichia LED (4000K)	Fluo mini bi 28W (T5) or 54W (T5HO)
MODULE	UL recognized - made in USA	
LUMENS (ESTIMATED)	1040 lm - 1080 lm (4000K)	
CCR / CRI	80 CRI (typical)	
VOLTAGE	120V	120-277V or 120V or 277V or 347V (depending of the ballast)
POWER SOURCE	12V- 10W Constant Voltage	Advance Centium or equivalent
DIMMING	Advance Xitanium	Advance MarkX & Mark7, Lutron Hi-Lume 3D
EMERGENCY	N/A	Remote Iota ISL-28 or ISL-54
LM-79 / L70	On request / Estimated 50 000 hrs	
ROHS	Compliant	
WARRANTY	5 years (on electronic components)	3-5 years (depending of the ballast, on electronic components)



## SPECIFICATIONS

SOURCE LUMINEUSE  
MODULE  
LUMENS (ESTIMES)  
CCR / CRI  
VOLTAGE  
DRIVER / BALLAST  
GRADATION  
URGENCE  
LM-79 / L70  
ROHS  
GARANTIE

### DEL 18W

36 x 0.5W Nichia DEL (4000K)  
Reconnu UL - fait aux USA  
1040 lm - 1080 lm (4000K)  
80 CRI (typique)  
120V  
12V- 10W Voltage Constant  
Advance Xitanium  
N/A  
Sur demande / Estimé 50 000 hrs  
Conforme  
5 ans (sur les composants électroniques)

### T5 / T5HO

Fluo mini bi 28W (T5) or 54W (T5HO)  
  
120-277V ou 120V or 277V ou 347V (dépendamment du ballast)  
Advance Centium ou équivalent  
Advance MarkX & Mark7, Lutron Hi-Lume 3D  
lota ISL-28 ou ISL-54 (installation à distance)  
3-5 ans (dépendamment du ballast, sur les composants électroniques)