

FACE 74136

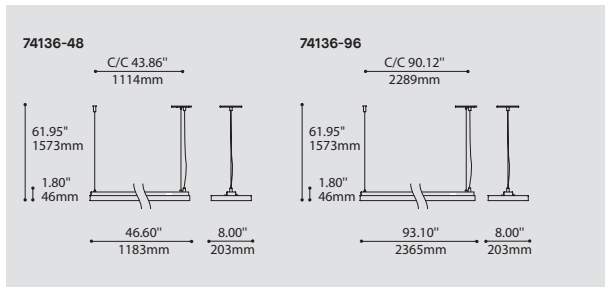
PROJECT PROJÉT
SPEC TYPE
NOTES



OPTIONS



WH M G CHR* SAA*



ORDERING SPECIFICATION SPÉCIFICATION DE COMMANDE

MODEL MODÈLE 74136

FACE

LUMINAIRE LENGTH LONGUEUR DU LUMINAIRE

48 48"
96 96"

LIGHT SOURCE SOURCE LUMINEUSE

(WATTAGE, LAMP TYPE, LAMP FORM, BASE TYPE, OTHER INFO)

48" MODELS

2XF.T5.28 28W X 2, T5
2XF.T5.54 54W X 2, T5 HO
LED REGULAR OUTPUT
LED.HO HIGH OUTPUT

96" MODELS

4XF.T5.28 28W X 4, T5
4XF.T5.54 54W X 4, T5 HO
LED REGULAR OUTPUT
LED.HO HIGH OUTPUT

COLOR TEMPERATURE TEMPÉRATURE DE COULEUR

FOR LED ONLY

30 3000K
35 3500K
40 4000K

VOLTAGE VOLTAGE

120V 120 VOLT
277V 277 VOLT
347V* 347 VOLT

*ONLY AVAILABLE WITH 2XF.T5.54 AND 4XF.T5.54 (NON-DIMMING BALLAST)

DIMMING OPTION OPTION DE GRADATION

AVAILABLE WITH 2XF.T5.54 AND 4XF.T5.54 ONLY

DM1 ADVANCE MARK 10 ELECTRONIC DIMMING BALLAST

AVAILABLE WITH ALL T5 LIGHT SOURCES

DM7 ADVANCE MARK 7 ELECTRONIC DIMMING BALLAST
D3D LUTRON HI-LUME 3D ELECTRONIC DIMMING BALLAST (ECOSYSTEM DIGITAL LINK WIRING)
D33 LUTRON HI-LUME 3D ELECTRONIC DIMMING BALLAST (3-WIRE WIRING)

AVAILABLE WITH ALL LED LIGHT SOURCES

DV 0-10V DIMMING (120-277V)
DP PHASE DIMMING (120V ONLY)

EMERGENCY BATTERY BATTERIE D'URGENCE

AVAILABLE WITH ALL T5 LIGHT SOURCES, 120V OR 277V ONLY

NOT AVAILABLE WITH A DIMMING BALLAST

EM EMERGENCY BATTERY

CABLE CABLE

AC AIRCRAFT MOUNTING & CLEAR CABLE, FIELD ADJUSTABLE

CABLE LENGTH LONGUEUR DE CABLE

60 60" AIRCRAFT CABLE (STD LENGTH)
** CUSTOM AIRCRAFT CABLE LENGTH (PLEASE SPECIFY)
FOR OVERALL LENGTH PLEASE CONTACT YOUR EUREKA REPRESENTATIVE.

STRUCTURE FINISH FINI STRUCTURE

WH WHITE
M G METALLIC GRAY (FOR 74132 ONLY)
CHR* CHROME (FOR 48" ONLY)
SAA* SATIN ALUMINUM ANODIZED
*LONGER LEAD TIME

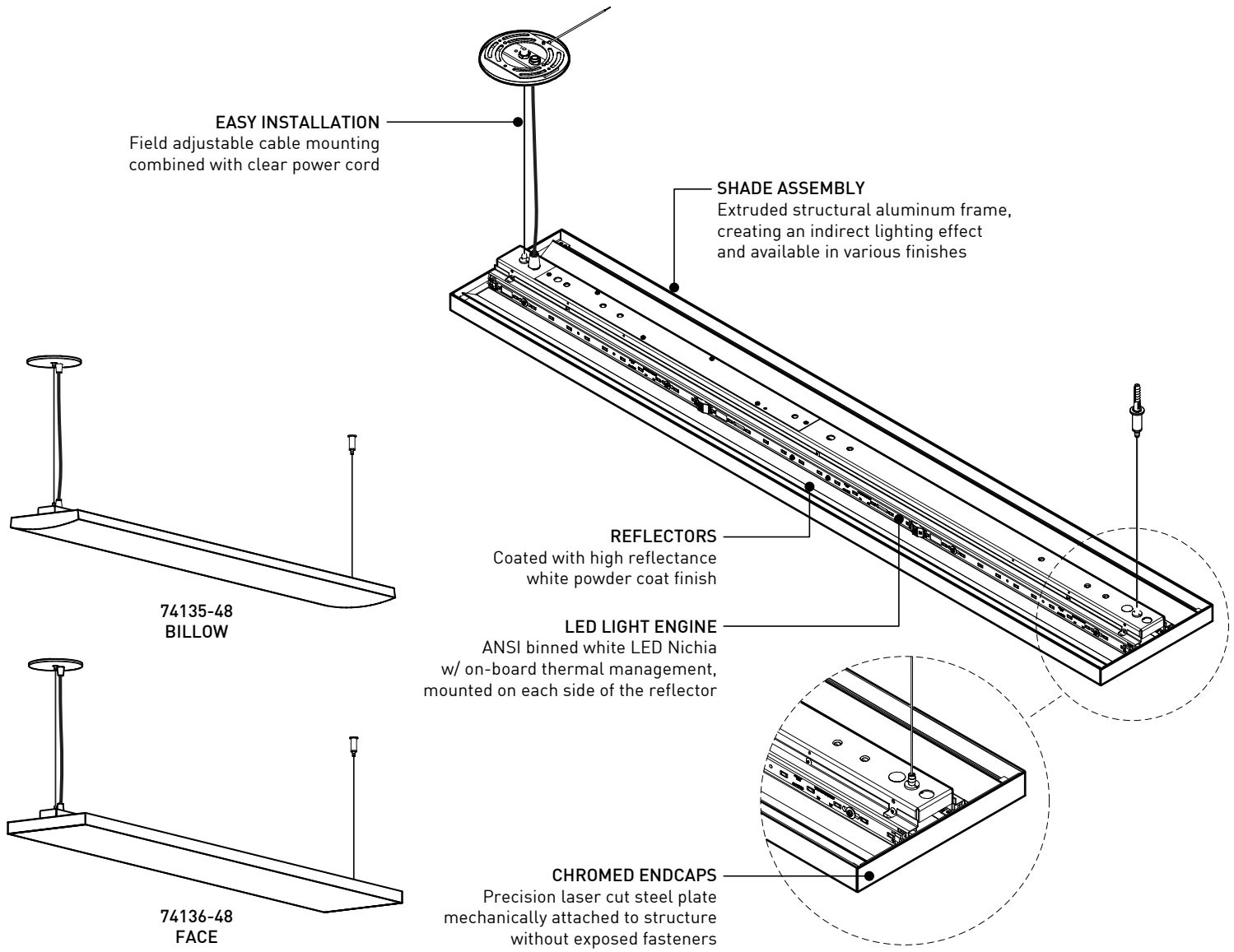
END CAP FINISH FINI EMBOUT

CHR CHROME

PRODUCT CHARACTERISTICS CARACTÉRISTIQUES DU PRODUIT

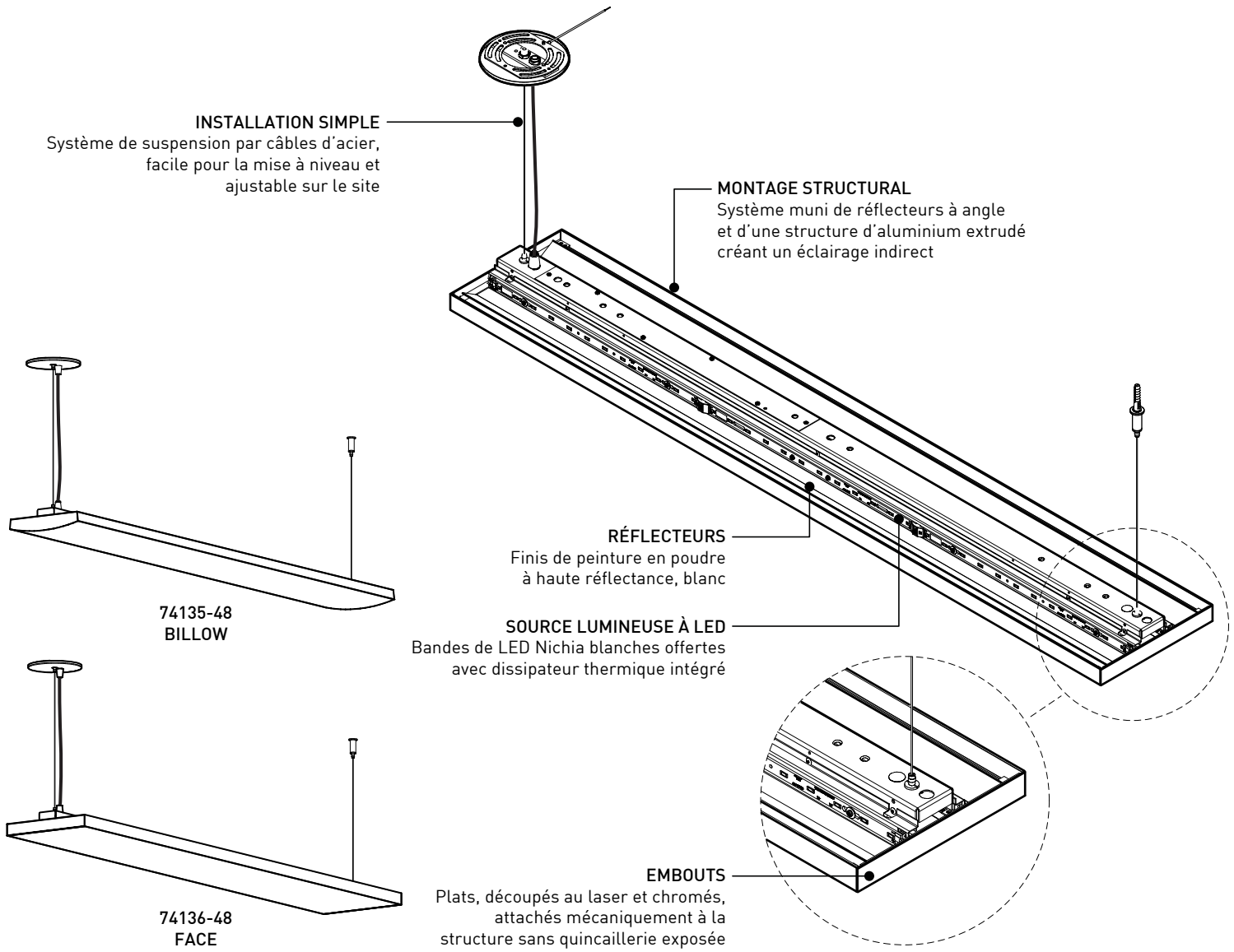
BIM DIM EM IES LED

DESIGN: An architectural staple with a flash of chrome that offers soft indirect light in 2 lengths.
INSTALLATION: Easy to install, adjust and level aircraft cable mounting.
LIGHT SOURCE: LED and T5 HO light sources. Dimming and EM available.
STRUCTURE: Structure in extruded aluminum & die-stamped steel. Polyester powder housing and chrome end caps.
REFLECTOR: Highly reflective powder coated die-formed steel reflectors.
CERTIFIED: c-CSA-us, c-UL-us



SPECIFICATIONS

	LED	FLUORESCENT
LIGHT SOURCE	90 x NICHIA LEDES	2 x 28w T5 or 2 x 54w T5HO
MODULE	UL recognized - made in USA	
LUMENS (DELIVERED)	2748 lm (REG) or 4007 lm (HO)	
SYSTEM WATTAGE	32.8W (REG) or 50.8W (HO)	
CCT / CRI	80 CRI (typical)	
ROHS	Compliant	
THERMAL MANAGEMENT	Light Engine w/ on-board Thermal Management	
LIGHT DISTRIBUTION	Indirect - 120° Beam Angle	Indirect
VOLTAGE	120V or 277V	120V-277V, 347V
DIMMING	Phase (DP) or 0-10V (DV) Dimming	Advance Mark 7 (T5), Mark 10 (T5HO) or Lutron
LM-79 / L70	On request / Estimated 50 000 hrs	IOTA ISL-54 (1 Lamp 28w/54w)
HOUSING	Formed Cold Rolled steel finished in white polyester powder coat (0.048" nominal thickness)	
SHADE	Extruded aluminum frame available in White powder coat finish, in Chrome plated finish or in Satin Chrome finish	
MOUNTING	Suspension round canopy finished in white polyester powder coat	
ENDCAPS	Precision laser cutting and Formed Cold rolled Steel (0.048" nominal thickness) w/ Chrome Plated Finish	
WARRANTY	5 years	1 year



SPÉCIFICATIONS

SOURCE LUMINEUSE
MODULE
LUMENS (LIVRÉS)
WATTAGE DU SYSTEM
CCT / CRI
ROHS
GESTION THERMIQUE
DISTRIBUTION LUMINEUSE
VOLTAGE
GRADATION
LM-79 / L70
RÉFLECTEURS
STRUCTURE
MONTAGE
EMBOUTS
GARANTIE

LED

90 x NICHIA LEDS
Reconnu UL - Fabriqué aux États-Unis
2748 lm (REG) ou 4007 lm (HO)
32.8W (REG) ou 50.8W (HO)
80 CRI (typique)
Conforme
Sources lumineuses avec autocontrôle de température
Indirecte - Diffusée à 120°
120V ou 277V
Gradation phase (DP) ou 0-10V (DV)
Sur demande / 50 000 hrs estimées
Acier découpés, pliés (0.048" épaisseur nominale) / finis de peinture électrostatique à base de Polyester blanche
Fabriquée en aluminium extrudé disponible en Blanc, en Chrome ou en Satin Aluminium
Pavillon rond fini de peinture électrostatique à base de Polyester blanche
Acier découpés, pliés, soudés (0.048" épaisseur nominale) et chromés
5 ans

FLUORESCENTE

2 x 28w T5 ou 2 x 54w T5HO
Indirecte
120V-277V, 347V
Advance Mark 7 (T5), Mark 10 (T5HO) ou Lutron
IOTA ISL-54 (1 Lampe 28w/54w)
1 an