

BILLOW 74135

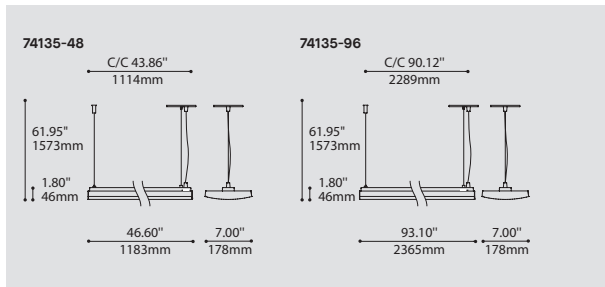
PROJECT PROJÉT
SPEC TYPE
NOTES



OPTIONS



WH MG CHR* SAA*



ORDERING SPECIFICATION SPÉCIFICATION DE COMMANDE

MODEL MODÈLE	74135
--------------	-------

LUMINAIRE LENGTH LONGUEUR DU LUMINAIRE	48	48"
	96	96"

LIGHT SOURCE SOURCE LUMINEUSE	
<small>(WATTAGE, LAMP TYPE, LAMP FORM, BASE TYPE, OTHER INFO)</small>	

48" MODELS	
2XF.T5.28	28W X 2, T5
2XF.T5.54	54W X 2, T5 HO
LED	REGULAR OUTPUT
LED.HO	HIGH OUTPUT

96" MODELS	
4XF.T5.28	28W X 4, T5
4XF.T5.54	54W X 4, T5 HO
LED	REGULAR OUTPUT
LED.HO	HIGH OUTPUT

COLOR TEMPERATURE TEMPÉRATURE DE COULEUR	
<small>FOR LED ONLY</small>	
30	3000K
35	3500K
40	4000K

VOLTAGE VOLTAGE	
120V	120 VOLT
277V	277 VOLT
347V*	347 VOLT
<small>*ONLY AVAILABLE WITH 2XF.T5.54 AND 4XF.T5.54 (NON-DIMMING BALLAST)</small>	

DIMMING OPTION OPTION DE GRADATION	
<small>AVAILABLE WITH 2XF.T5.54 AND 4XF.T5.54 ONLY</small>	
DM1	ADVANCE MARK 10 ELECTRONIC DIMMING BALLAST

<small>AVAILABLE WITH ALL T5 LIGHT SOURCES</small>	
DM7	ADVANCE MARK 7 ELECTRONIC DIMMING BALLAST
D3D	LUTRON HI-LUME 3D ELECTRONIC DIMMING BALLAST (ECOSYSTEM DIGITAL LINK WIRING)
D33	LUTRON HI-LUME 3D ELECTRONIC DIMMING BALLAST (3-WIRE WIRING)

<small>AVAILABLE WITH ALL LED LIGHT SOURCES</small>	
DV	0-10V DIMMING (120-277V)
DP	PHASE DIMMING (120V ONLY)

EMERGENCY BATTERY BATTERIE D'URGENCE	
<small>AVAILABLE WITH ALL T5 LIGHT SOURCES, 120V OR 277V ONLY</small>	
<small>NOT AVAILABLE WITH A DIMMING BALLAST</small>	
EM	EMERGENCY BATTERY

CABLE CABLE	
AC	AIRCRAFT MOUNTING & CLEAR CABLE, FIELD ADJUSTABLE

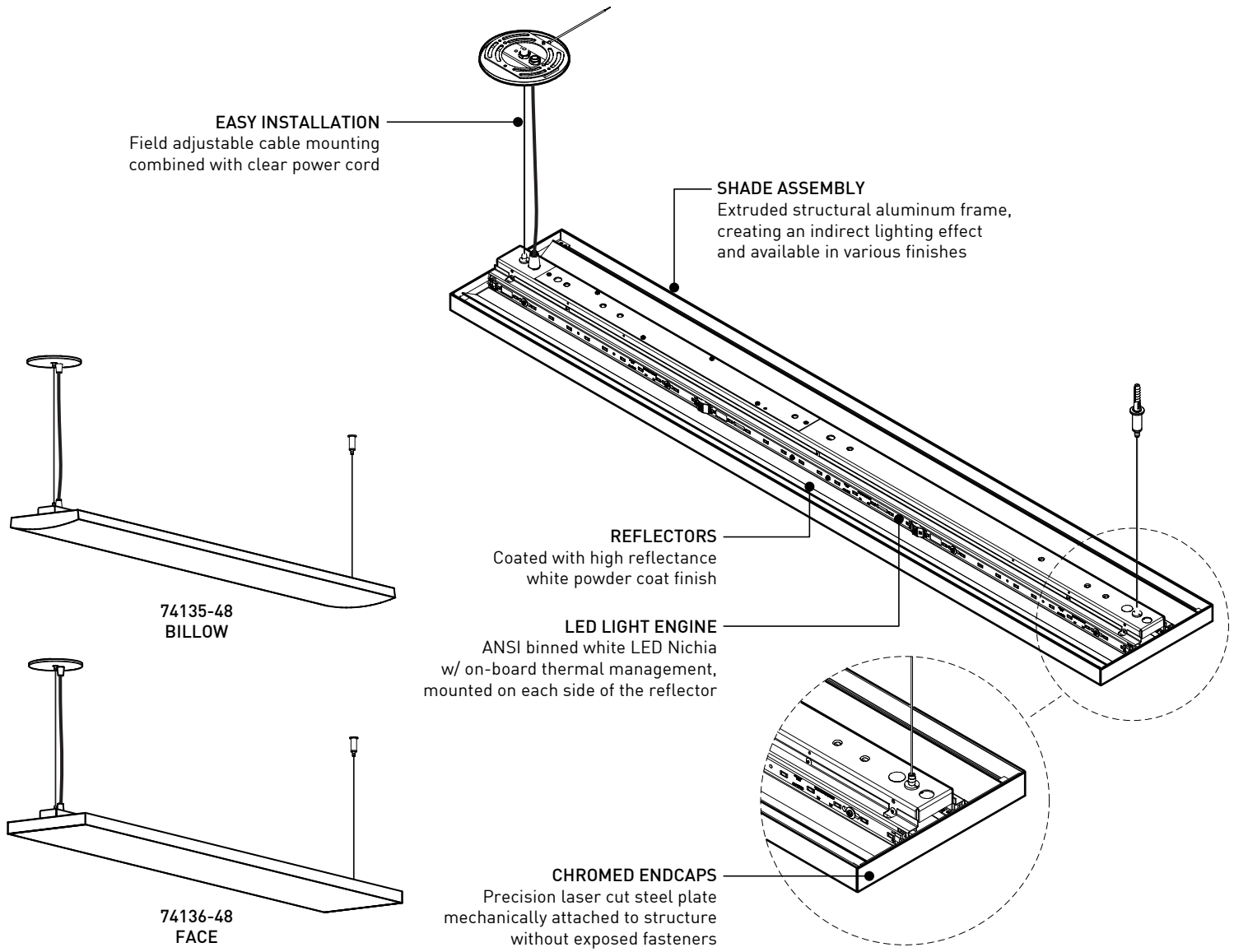
CABLE LENGTH LONGUEUR DE CABLE	
60	60" AIRCRAFT CABLE (STD LENGTH)
**	CUSTOM AIRCRAFT CABLE LENGTH (PLEASE SPECIFY)
<small>FOR OVERALL LENGTH PLEASE CONTACT YOUR EUREKA REPRESENTATIVE</small>	

STRUCTURE FINISH FINI STRUCTURE	
WH	WHITE
MG	METALLIC GRAY (FOR 74132 ONLY)
CHR*	CHROME (FOR 48" ONLY)
SAA*	SATIN ALUMINUM ANODIZED
<small>*LONGER LEAD TIME</small>	

END CAP FINISH FINI EMBOUT	
CHR	CHROME

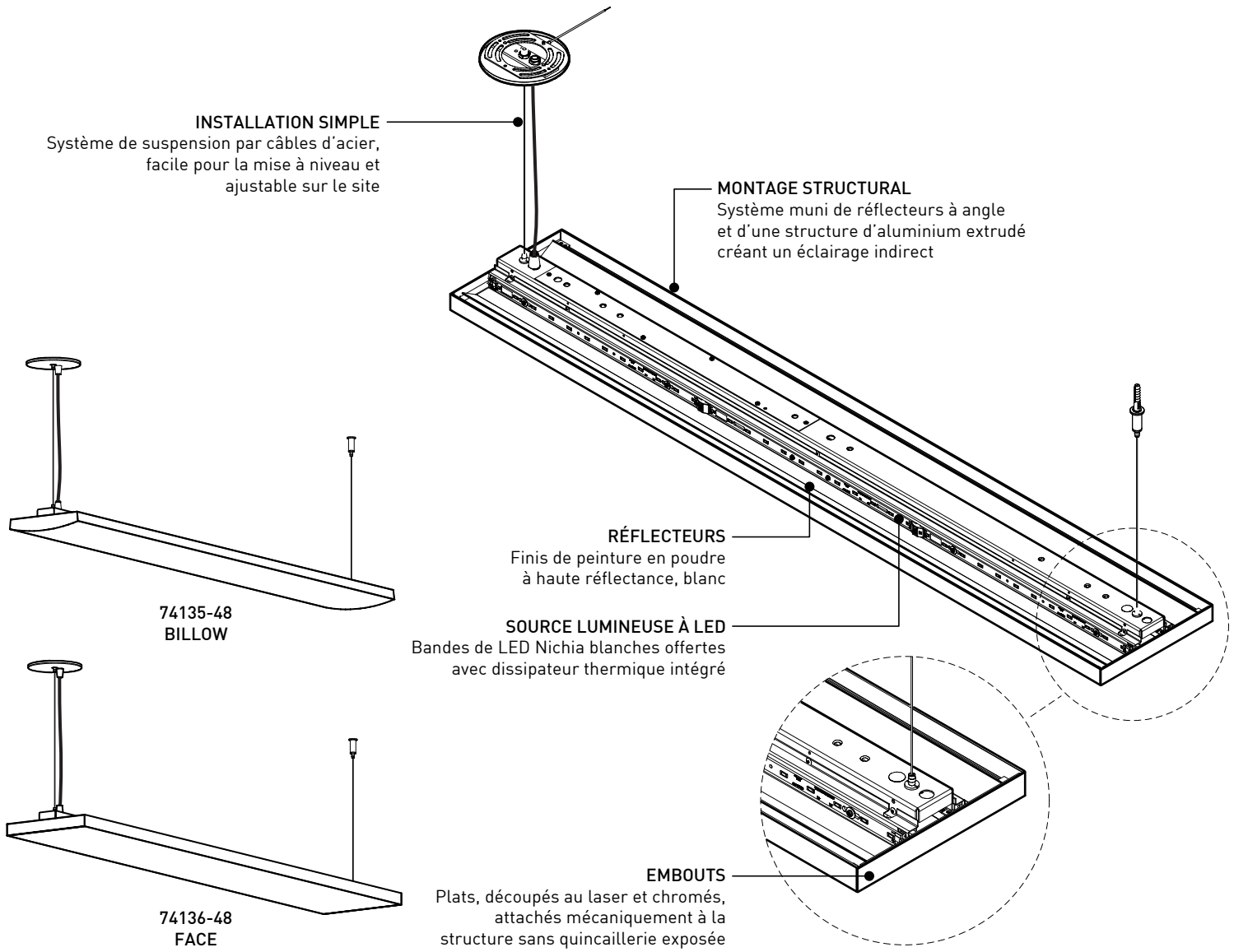
PRODUCT CHARACTERISTICS CARACTÉRISTIQUES DU PRODUIT	
BIM	
DIM	
EM	
IES	
LED	

DESIGN:	An architectural staple with a flash of chrome that offers soft indirect light in 2 lengths.
INSTALLATION:	Easy to install, adjust and level aircraft cable mounting.
LIGHT SOURCE:	LED in 3000K (Warm) or 4000K (Neutral) and T5 HO light sources. Dimming and EM available.
STRUCTURE:	Structure in extruded aluminum & die-stamped steel. Polyester powder housing and chrome end caps.
REFLECTOR:	Highly reflective powder coated die-formed steel reflectors.
CERTIFIED:	c-CSA-us, c-UL-us



SPECIFICATIONS

	LED	FLUORESCENT
LIGHT SOURCE	90 x NICHIA LEDS	2 x 28w T5 or 2 x 54w T5HO
MODULE	UL recognized - made in USA	
LUMENS (DELIVERED)	2748 lm (REG) or 4007 lm (HO)	
SYSTEM WATTAGE	32.8W (REG) or 50.8W (HO)	
CCT / CRI	80 CRI (typical)	
ROHS	Compliant	
THERMAL MANAGEMENT	Light Engine w/ on-board Thermal Management	
LIGHT DISTRIBUTION	Indirect - 120° Beam Angle	Indirect
VOLTAGE	120V or 277V	120V-277V, 347V
DIMMING	Phase (DP) or 0-10V (DV) Dimming	Advance Mark 7 (T5), Mark 10 (T5HO) or Lutron
LM-79 / L70	On request / Estimated 50 000 hrs	IOTA ISL-54 (1 Lamp 28w/54w)
HOUSING	Formed Cold Rolled steel finished in white polyester powder coat (0.048" nominal thickness)	
SHADE	Extruded aluminum frame available in White powder coat finish, in Chrome plated finish or in Satin Chrome finish	
MOUNTING	Suspension round canopy finished in white polyester powder coat	
ENDCAPS	Precision laser cutting and Formed Cold rolled Steel (0.048" nominal thickness) w/ Chrome Plated Finish	
WARRANTY	5 years	1 year



SPÉCIFICATIONS

	LED	FLUORESCENTE
SOURCE LUMINEUSE	90 x NICHIA LEDS	
MODULE	Reconnu UL - Fabriqué aux États-Unis	2 x 28w T5 ou 2 x 54w T5HO
LUMENS (LIVRÉS)	2748 lm (REG) ou 4007 lm (HO)	
WATTAGE DU SYSTEM	32.8W (REG) ou 50.8W (HO)	
CCT / CRI	80 CRI (typique)	
ROHS	Conforme	
GESTION THERMIQUE	Sources lumineuses avec autocontrôle de température	
DISTRIBUTION LUMINEUSE	Indirecte - Diffusée à 120°	Indirecte
VOLTAGE	120V ou 277V	120V-277V, 347V
GRADATION	Gradation phase (DP) ou 0-10V (DV)	Advance Mark 7 (T5), Mark 10 (T5HO) ou Lutron
LM-79 / L70	Sur demande / 50 000 hrs estimées	IOTA ISL-54 (1 Lampe 28w/54w)
RÉFLECTEURS	Acier découpés, pliés (0.048" épaisseur nominale) / finis de peinture électrostatique à base de Polyester blanche	
STRUCTURE	Fabriquée en aluminium extrudé disponible en Blanc, en Chrome ou en Satin Aluminium	
MONTAGE	Pavillon rond fini de peinture électrostatique à base de Polyester blanche	
EMBOUTS	Acier découpés, pliés, soudés (0.048" épaisseur nominale) et chromés	
GARANTIE	5 ans	1 an