

AREA 4810D-24 / 4810DI-24

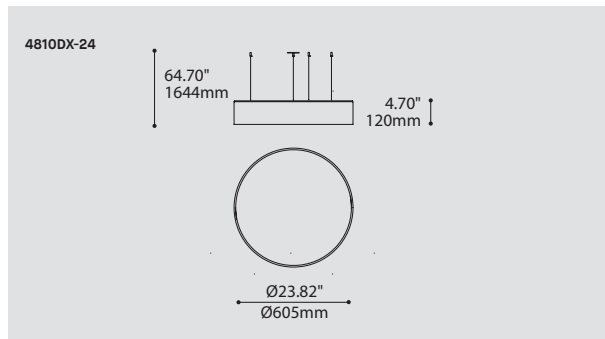
PROJECT PROJÉT
SPEC TYPE
NOTES



FAMILY FAMILLE



4710-24



ORDERING SPECIFICATION SPÉCIFICATION DE COMMANDE

MODEL MODÈLE

4810D AREA (DIRECT)
4810DI AREA (DIRECT + INDIRECT)

LUMINAIRE LENGTH LONGUEUR DU LUMINAIRE

24 24"

LIGHT SOURCE SOURCE LUMINEUSE

(WATTAGE, LAMP TYPE, LAMP FORM, BASE TYPE, OTHER INFO)

4810D
2XCF.L.24 + 36 24W X 2 + 36W X 2, CFL, LONG TWIN TUBE T5, 2G11 BASE
LED REGULAR OUTPUT
LED.HO HIGH OUTPUT

4810DI
2XCF.L.24 + 36 24W X 2 + 36W X 2, CFL, LONG TWIN TUBE T5, 2G11 BASE
LED.C1 REGULAR OUTPUT DIRECT + REGULAR OUTPUT INDIRECT
LED.C2 HIGH OUTPUT DIRECT + HIGH OUTPUT INDIRECT
LED.C3 REGULAR OUTPUT DIRECT + HIGH OUTPUT INDIRECT
LED.C4 HIGH OUTPUT DIRECT + REGULAR OUTPUT INDIRECT

COLOR TEMPERATURE TEMPÉRATURE DE COULEUR

FOR LED ONLY

30 3000K
35 3500K
40 4000K

VOLTAGE VOLTAGE

120V 120 VOLT
277V 277 VOLT
347V* 347 VOLT

*NOT AVAILABLE WITH LED, DIMMING BALLAST OR EMERGENCY BATTERY

DIMMING OPTION OPTION DE GRADATION

AVAILABLE WITH 2XCF.L.24 + 36 ONLY

DM1 ADVANCE MARK 10 ELECTRONIC DIMMING BALLAST

AVAILABLE WITH LED ONLY

DV 0-10V DIMMING (120-277V)
DP PHASE DIMMING (120V ONLY)

LED DIMMING DRIVER IS STANDARD IN THIS PRODUCT, PLEASE SPECIFY YOUR DIMMING TYPE.

EMERGENCY BATTERY BATTERIE D'URGENCE

AVAILABLE WITH CFL AND T5 SOURCES, 120V OR 277V ONLY
 NOT AVAILABLE WITH DIMMING BALLAST FOR 2XCF.L.24 + 36

EM EMERGENCY BATTERY

CABLE CABLE

AC AIRCRAFT MOUNTING & CLEAR CABLE, FIELD ADJUSTABLE

CABLE LENGTH LONGUEUR DE CABLE

60 60" AIRCRAFT CABLE (STD LENGTH)
****** CUSTOM AIRCRAFT CABLE LENGTH (PLEASE SPECIFY)
 FOR OVERALL LENGTH PLEASE CONTACT YOUR EUREKA REPRESENTATIVE.

STRUCTURE FINISH FINI STRUCTURE

WH WHITE

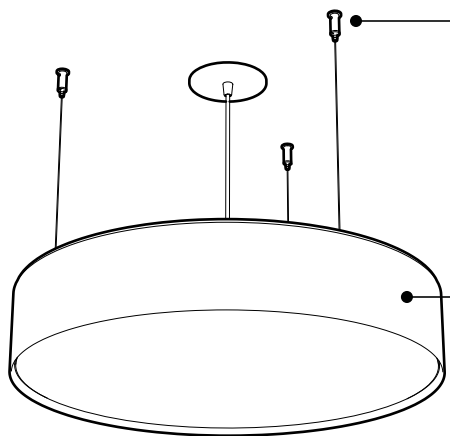
DIFFUSER FINISH FINI DIFFUSEUR

WH WHITE

PRODUCT CHARACTERISTICS CARACTÉRISTIQUES DU PRODUIT

BIM **DIM** **EM** **IES** **LED**

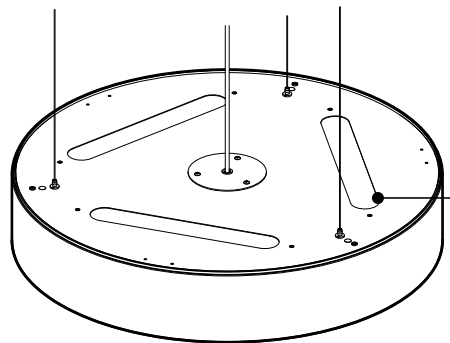
DESIGN: Large, functional and elegant direct/indirect or direct only pendants in Ø24" and Ø36"
INSTALLATION: Easy to install, adjust and level triple aircraft cable mounting.
LIGHT SOURCE: Custom made large diameter LED boards. Also available in CFL or T5 version.
 Dimming and integral EM options available.
STRUCTURE: Aluminum extrusion housing and die-formed steel with reflective white polyester powder finish.
DIFFUSER: Machined translucent white PMMA with precise positioning for maximum diffusion and performance.
CERTIFIED: c-CSA-us, c-UL-us



SIMPLIFIED INSTALLATION

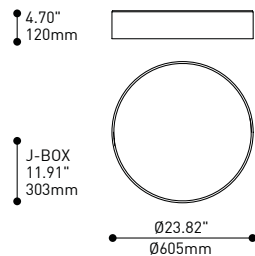
Position 3 steel aircraft cables anywhere around a junction box
Easy levelling with adjustable cable grippers

4810D-24 / 4810DI-24

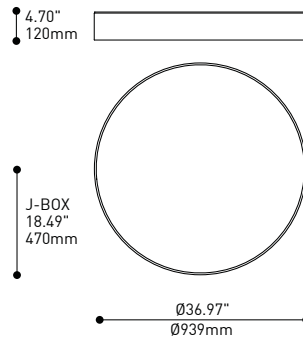


INDIRECT LIGHTING

Clear acrylic covers for dedicated LED indirect lighting (4810DI)
White powder-coated steel covers prevent dust and bugs from entering housing (4810D)

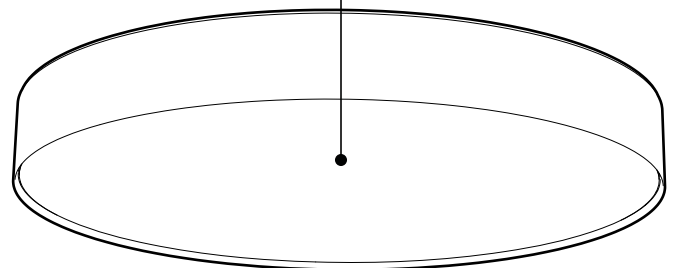


4810D-24 / 4810DI-24



4810D-36 / 4810DI-36

LENS
Frosted acrylic lens for superior light transmission
Lift-and-shift installation



4810D-36 / 4810DI-36

SPECIFICATIONS

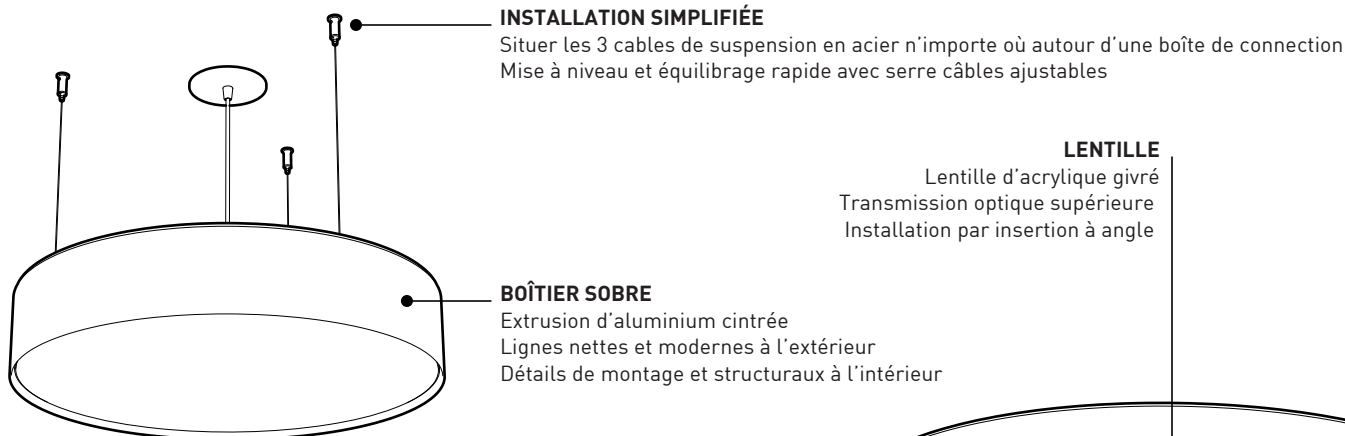
	4810D-24	4810D-36	4810DI-24	4810DI-36
LIGHT SOURCE	31W LED / 38W LED	75W LED / 96W LED	47W LED / 72W LED	97W LED / 141W LED
DELIVERED DIRECT LUMENS	3986lm / 4770lm	8741lm / 10772lm	3986lm / 4770lm	8741lm / 10772lm
DELIVERED INDIRECT LUMENS	N/A	N/A	2348lm / 4697lm	3089lm / 6179lm
SYSTEM WATTAGE	35.7W / 44.4W	86.6W / 110W	55.5W / 84W	113.2W / 162.2W
CRI (LED)	83 CRI (Typical)			
LIGHT DISTRIBUTION	Direct		Direct + Indirect	
STRUCTURE	White powder coated rolled aluminium extrusion (0.100" nominal thickness) & die-formed sheet steel (20 Ga to 16 Ga)			
OPTICS	Machined frosted PMMA lens (thickness 0.118")			
DUST COVER	White powder coated steel overlay (4810D) / Clear acrylic overlay (4810DI)			
VOLTAGE	120V-277V			
DIMMING	Phase or 0-10V			
EMERGENCY	N/A			
WARRANTY	5 years			



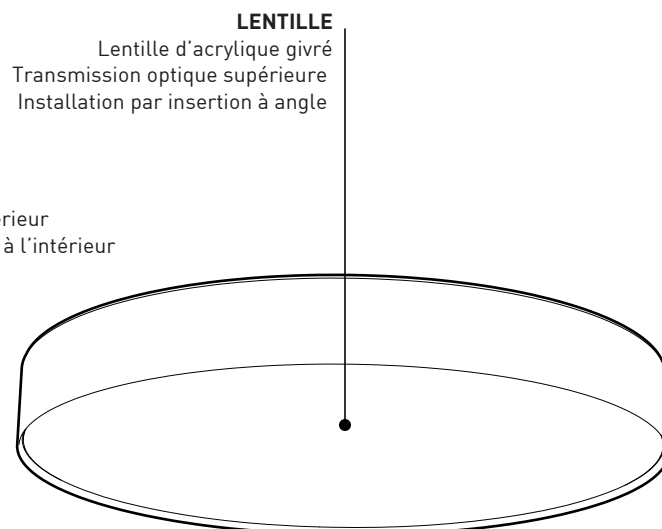
225 de Liège Ouest, Suite #200
Montréal (QC), Canada H2P 1H4
Tel : 514.385.3515 Fax : 514.385.4169
www.eurekalighting.com



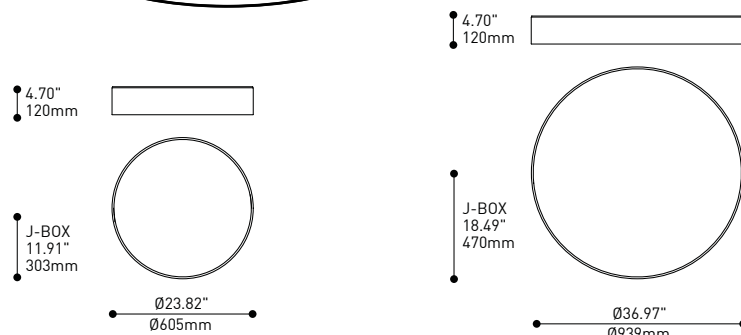
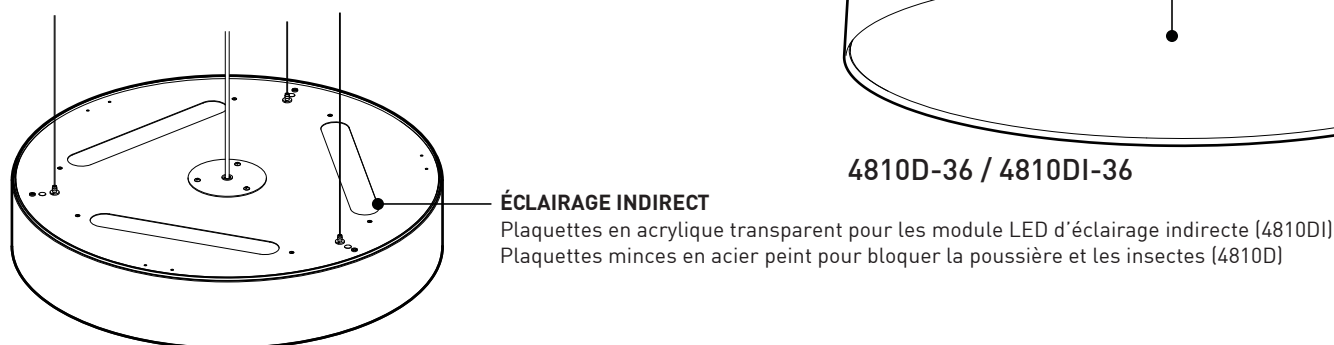
4810D-24 | 4810DI-24
4810D-36 | 4810DI-36



4810D-24 / 4810DI-24



4810D-36 / 4810DI-36

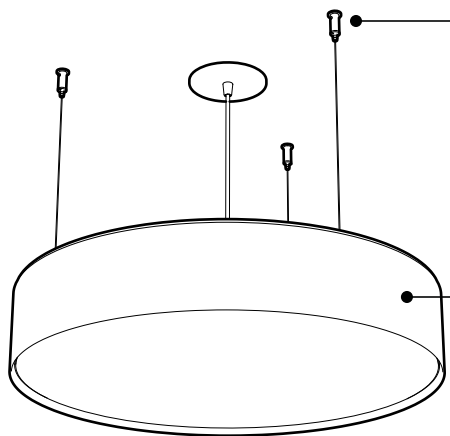


4810D-24 / 4810DI-24

4810D-36 / 4810DI-36

SPÉCIFICATIONS

	4810D-24	4810D-36	4810DI-24	4810DI-36
SOURCE LUMINEUSE	31W LED / 38W LED	75W LED / 96W LED	47W LED / 72W LED	97W LED / 141W LED
LUMENS RÉELS DIRECT	3986lm / 4770lm	8741lm / 10772lm	3986lm / 4770lm	8741lm / 10772lm
LUMENS RÉELS INDIRECT	N/A	N/A	2348lm / 4697lm	3089lm / 6179lm
CONSOMMATION TOTALE	35.7W / 44.4W	86.6W / 110W	55.5W / 84W	113.2W / 162.2W
IRC (DEL)	83 IRC (Typique)			
DISTRIBUTION LUMINEUSE	Directe		Direct + Indirect	
STRUCTURE	Aluminium extrudé et cintré (épaisseur 2mm nominale) et pièces faites d'acier en feuille. Peinture électrostatique blanche			
DIFFUSEUR	Lentille d'acrylique givrée usiné (épaisseur 3mm)			
CACHES POUSSIÈRES	Plaquettes minces en acier avec peinture électrostatique blanche (4810D) / Plaquettes en acrylique transparent (4810DI)			
VOLTAGE	120V-277V			
GRADATION	Phase ou 0-10V			
ÉQUIPEMENT D'URGENCE	N/A			
GARANTIE	5 ans			



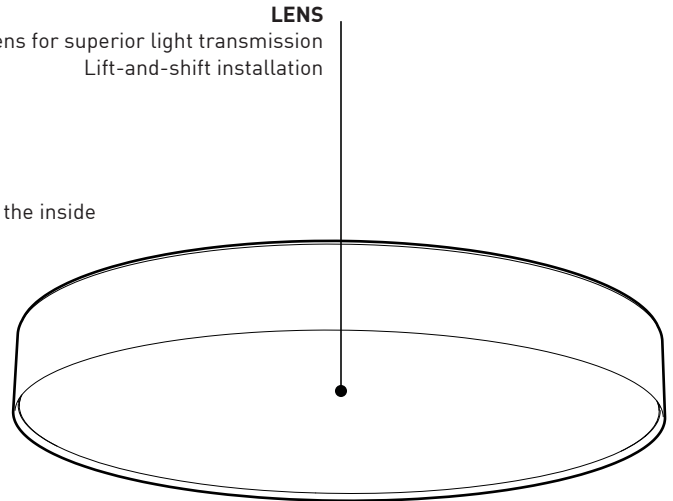
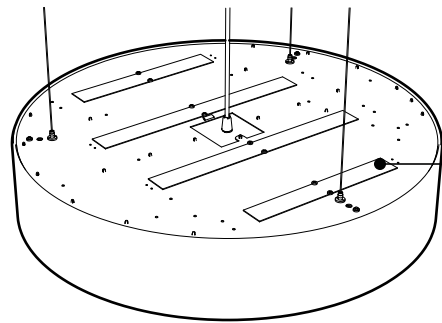
4810D-24 / 4810DI-24

SIMPLIFIED INSTALLATION

Position 3 steel aircraft cables anywhere around a junction box
Easy levelling with adjustable cable grippers

SIMPLE AND CLEAN HOUSING

Rolled aluminium extrusion
Clean geometry on the outside
Mounting and structural details on the inside



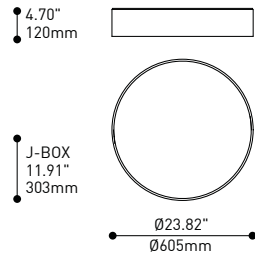
4810D-36 / 4810DI-36

LENS

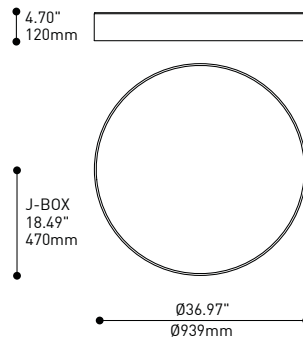
Frosted acrylic lens for superior light transmission
Lift-and-shift installation

DUST COVERS

White powder-coated steel covers prevent dust and bugs from entering housing (4810D)
Clear acrylic covers for some indirect lighting (4810DI)



4810Dx-24



4810Dx-36

SPECIFICATIONS

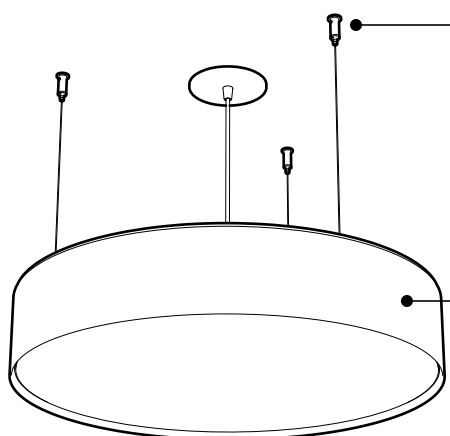
	4810Dx-24	4810Dx-36
LIGHT SOURCE	2x T5 2G11 24W + 2x T5 2G11 36W	2x F14WT5 + 2x F21WT5 or 2x F24WT5HO + 2x F39WT5HO
DELIVERED LUMENS	6504lm	5244lm / 8228lm
CRI (LED)	N/A	
LIGHT DISTRIBUTION	Direct or direct+indirect	
STRUCTURE	White powder coated rolled aluminium extrusion (0.100" nominal thickness) & die-formed sheet steel (20 Ga to 16 Ga)	
OPTICS	Machined frosted PMMA lens (thickness 0.118")	
DUST COVER	White powder coated steel overlay (4810D) / Clear acrylic overlay (4810DI)	
VOLTAGE	120V-277V, 347V	
DIMMING	Advance Mark 10	Advance Mark 7 or Lutron
EMERGENCY	IOTA ISL-54 (1 lamp T5 2G11 36w)	IOTA ISL-54 (1 lamp T5 or T5HO)
WARRANTY	1 year	



225 de Liège Ouest, Suite #200
Montréal (QC), Canada H2P 1H4
Tel : 514.385.3515 Fax : 514.385.4169
www.eurekalighting.com



4810D-24 | 4810DI-24
4810D-36 | 4810DI-36



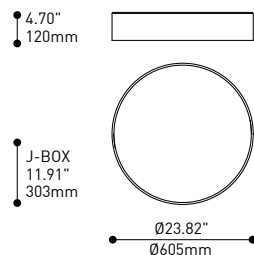
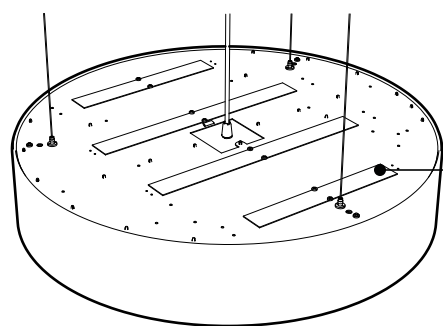
4810D-24 / 4810DI-24

INSTALLATION SIMPLIFIÉE

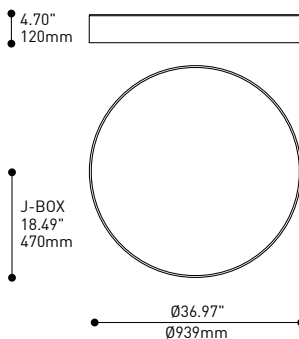
Situer les 3 câbles de suspension en acier n'importe où autour d'une boîte de connexion
Mise à niveau et équilibrage rapide avec serre câbles ajustables

BOÎTIER SOBRE

Extrusion d'aluminium cintrée
Lignes nettes et modernes à l'extérieur
Détails de montage et structuraux à l'intérieur



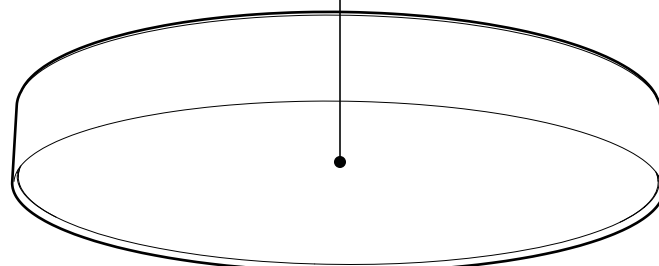
4810Dx-24



4810Dx-36

LENTILLE

Lentille d'acrylique givrée
Transmission optique supérieure
Installation par insertion à angle



4810D-36 / 4810DI-36

CACHES POUSSIÈRES

Plaquettes minces en acier peint pour bloquer la poussière et les insectes (4810D)
Plaquettes en acrylique transparent pour ajouter une composante indirecte (4810DI)

SPÉCIFICATIONS**SOURCE LUMINEUSE****4810Dx-24**

2x T5 2G11 24W + 2x T5 2G11 36W

4810Dx-36

2x F14WT5 + 2x F21WT5 ou 2x F24WT5H0 + 2x F39WT5H0

LUMENS RÉELS

6504lm

5244lm / 8228lm

IRC (DEL)

N/A

DISTRIBUTION LUMINEUSE

Directe ou directe+indirecte

STRUCTURE

Aluminium extrudé et cintré (épaisseur 2mm nominale) et pièces faites d'acier en feuille. Peinture électrostatique blanche

DIFFUSEUR

Lentille d'acrylique givrée usiné (épaisseur 3mm)

CACHES POUSSIÈRES

Plaquettes minces en acier avec peinture électrostatique blanche (4810D) / Plaquettes en acrylique transparent (4810DI)

VOLTAGE

120V-277V, 347V

GRADATION

Advance Mark 10

Advance Mark 7 ou Lutron

ÉQUIPEMENT D'URGENCE

IOTA ISL-54 (1 lampe T5 2G11 36w)

IOTA ISL-54 (1 lampe T5 ou T5H0)

GARANTIE

1 an



225 de Liège Ouest, Suite #200
Montréal (QC), Canada H2P 1H4
Tel : 514.385.3515 Fax : 514.385.4169
www.eurekalighting.com



4810D-24 | 4810DI-24
4810D-36 | 4810DI-36