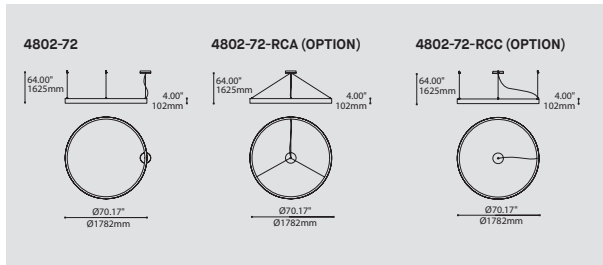
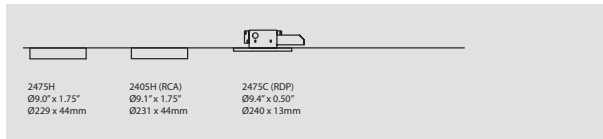


COMPASS 4802-72 / 4802DI-72

PROJECT PROJÉT
SPEC TYPE
NOTES



MOUNTING OPTIONS OPTIONS DE MONTAGE

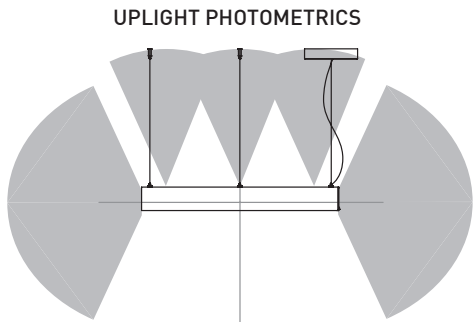
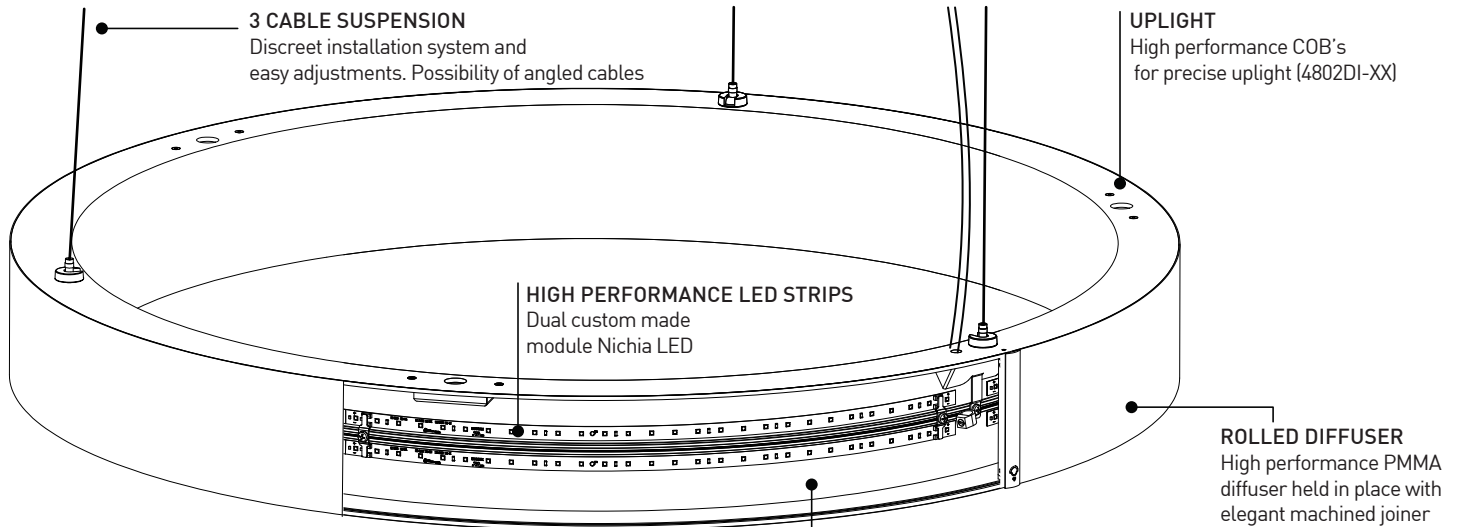


ORDERING SPECIFICATION	SPÉCIFICATION DE COMMANDE	CODE
MODEL MODÈLE		
4802-72	COMPASS 72"	
4802DI-72	COMPASS UPLIGHT 72"	
LIGHT SOURCE SOURCE LUMINEUSE		
(WATTAGE, LAMP TYPE, OTHER INFO)		
4802-72		
LED	REGULAR OUTPUT	
4802DI-72		
LED	REGULAR OUTPUT	
COLOR TEMPERATURE TEMPÉRATURE DE COULEUR		
30	3000K	
35	3500K	
40	4000K	
VOLTAGE VOLTAGE		
120V	120 VOLT	
277V	277 VOLT	
DIMMING OPTION OPTION DE GRADATION		
DV	0-10V DIMMING (120-277V)	
DP	PHASE DIMMING (120V ONLY)	
LED DIMMING DRIVER IS STANDARD IN THIS PRODUCT. PLEASE SPECIFY YOUR DIMMING TYPE.		
DRIVER POSITION POSITION DU PILOT		
RDP	RECESSED DRIVER*	
*3981C (80W) OR 3981D (128W & 174W) ACCESSORY IS REQUIRED		
CABLE CABLE		AC
AC	AIRCRAFT MOUNTING & CLEAR CABLE, FIELD ADJUSTABLE	
CABLE LENGTH LONGUEUR DE CABLE		
60	60" AIRCRAFT CABLE (STD LENGTH)	
**	CUSTOM AIRCRAFT CABLE LENGTH (PLEASE SPECIFY)	
FOR OVERALL LENGTH PLEASE CONTACT YOUR EUREKA REPRESENTATIVE.		
MOUNTING OPTION OPTION DE MONTAGE		RC
RC	ROUND CANOPY / PAVILLON ROND	
FOR RCA: 1.75" CANOPY (2405H)		
FOR RECESSED DRIVER OPTION: 0.50" CANOPY (2475C)		
FOR STANDARD: 1.75" CANOPY (2475H)		
MOUNTING CABLE OPTION OPTION DE MONTAGE DE CABLE		
IF NO OPTION IS SELECTED, AN OFF-CENTERED ROUND CANOPY WITH STRAIGHT AIRCRAFT CABLES WILL BE PROVIDED		
RCA	CENTERED ROUND CANOPY - AIRCRAFT CABLES ANGLED TO CENTER*	
RCC	CENTERED ROUND CANOPY - STRAIGHT AIRCRAFT CABLES	
*NOT AVAILABLE WITH RECESSED DRIVER (RDP)		
CANOPY FINISH FINI PAVILLON		WHE
WHE	WHITE FINE TEXTURE	
RING FINISH FINI ANNEAUX		WHE
WHE	WHITE FINE TEXTURE	
DIFFUSER FINISH FINI DIFFUSEUR		WH
WH	WHITE	
ACCESSORY ACCESSOIRE		
3981D	JUNCTION BOX FOR RECESSED DRIVER OPTION (ALL 4802-72, ALL 4802DI-72)	

PRODUCT CHARACTERISTICS CARACTÉRISTIQUES DU PRODUIT



DESIGN:	Marrying simplicity and fineness, the Compass enhances the space with its elegantly shaped luminous halos.
INSTALLATION:	Easy to install, adjust and level using triple aircraft cables; available with straight or angled cables towards a central canopy.
LIGHT SOURCE:	Double row of custom designed light engine featuring high performance LED.
STRUCTURE:	Seamlessly finished, rolled aluminum extrusion with highly reflective matte white polyester powder coating enclosed with an extruded optical PMMA diffuser snapped in place and finished with an elegant chrome plated joiner.
CERTIFIED:	c-CSA-us



HEAT SINK
CNC rolled aluminum extrusion
White matte powder coating

CANOPY OPTIONS

SCREWLESS CANOPY 9.0"X1.75"
Mounting on a 4" standard j-box

STANDARD CANOPY 9.0"X1.75"
Mounting on a 4" standard j-box
For RCA option

LOW PROFILE CANOPY 9.4"X0.50"
Mounting on Eureka box 3981C (**sold separately**)
For 4802-36 / 4802-54 DV and 4802-36 DP
Recessed driver for discreet installation

LOW PROFILE CANOPY 9.4"X0.50"
Mounting on Eureka box 3981D (**sold separately**)
For 4802-72 DV and 4802-54 / 4802-72 DP
For 4802DI-36, 4802DI-54 and 4802DI-72
Recessed driver for discreet installation

CANOPY POSITION



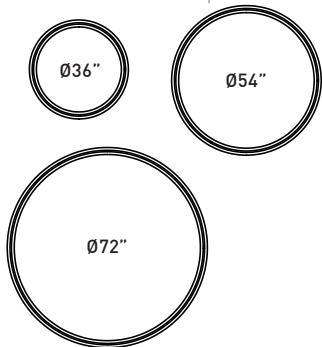
4802-XX
Centered with mounting point (standart)



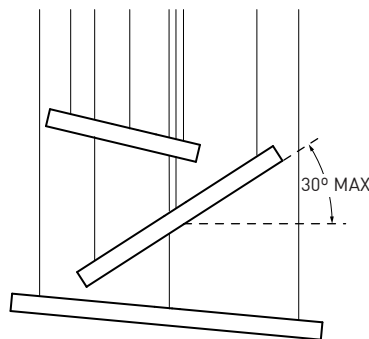
4802-XX-RCA
Centered with luminaire / Centered cables



4802-XX-RCC
Centered with luminaire / Straight cables



3 VERSATILE SIZES
An infinite number of possible layout
From smallest to the largest space



HANG IT STRAIGHT OR ANGLED
Can be installed with a maximum horizontal angle of 30°

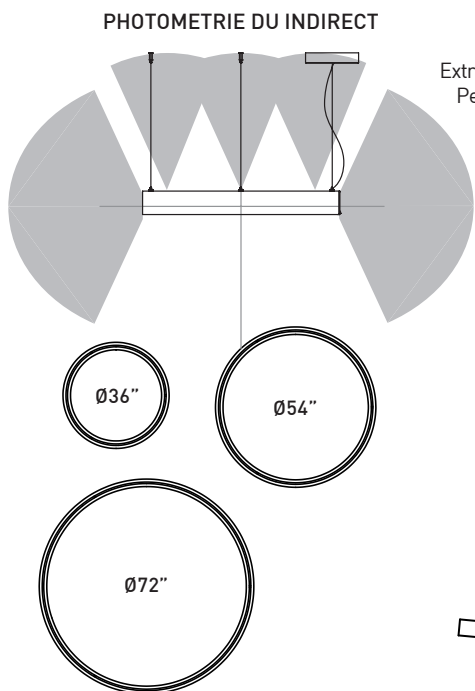
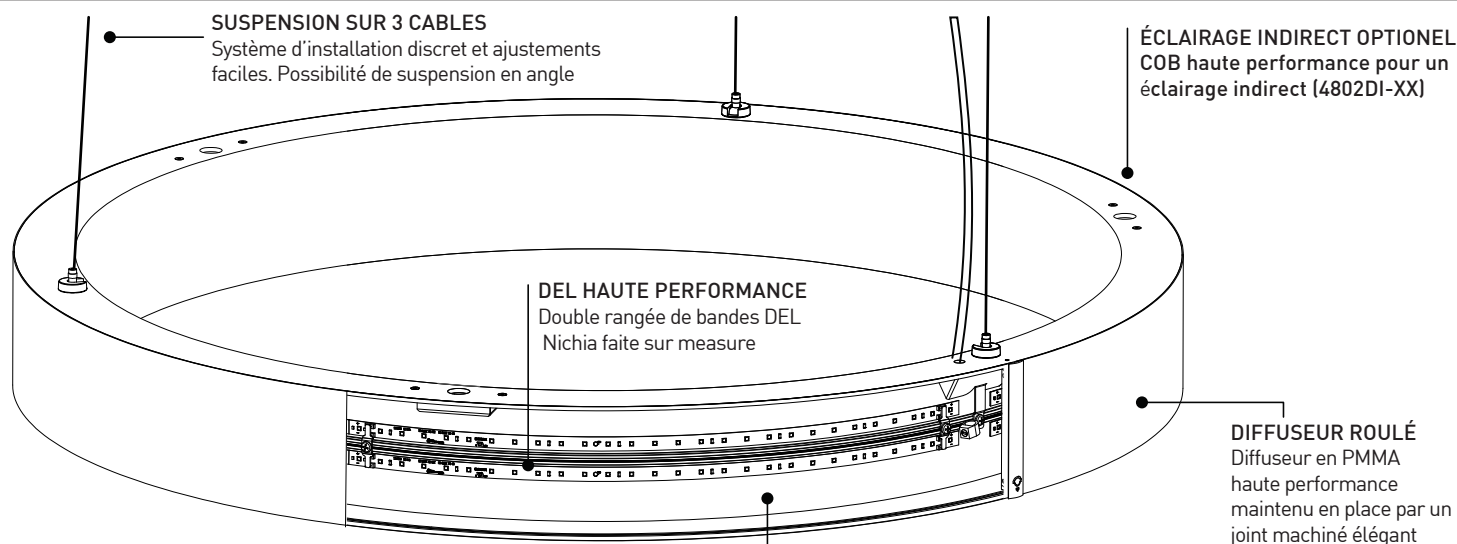
SPECIFICATIONS

	4802-36	4802-54	4802-72	4802DI-36	4802DI-54	4802DI-72
LIGHT SOURCE	390x LED	624x LED	858x LED	390x LED + 3x COB	624x LED + 6x COB	858x LED+ 9x COB
DELIVERED LUMENS	5926lm	8825lm	12393lm (4000K)	7015lm	10400lm	18034lm
SYSTEM WATTAGE	~54W	~78W	~115W	~66W	~96W	~271W
MODULE	UL Recognized - Custom design flexible strip - Made in USA					
CRI	85 CRI (typical)					
STRUCTURE	Custom CNC rolled aluminum extrusions (0.125in thickness) / Seamless welding					
VOLTAGE	120V or 277V					
DRIVER	Standard phase (DP) or 0-10V (DV) dimming					
LM-79	On request					
WARRANTY	5 years					
WEIGHT (PACKAGED)	30 lbs	45 lbs	70 lbs	30 lbs	45 lbs	70 lbs



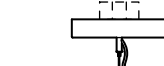
225 de Liège Ouest, Suite #200
Montréal (QC), Canada H2P 1H4
Tel : 514.385.3515 Fax : 514.385.4169
www.eurekalighting.com

4802-36 | **4802-54** | **4802-72**
4802DI-36 | **4802DI-54** | **4802DI-72**

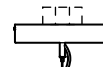


RADIATEUR THERMIQUE
Extrusions d'aluminium roulées par CNC
Peinture électrostatique blanche matte

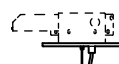
OPTIONS DE PAVILLONS



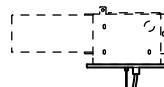
PAVILLON SANS VIS 9.0"X1.75"
Installation sur boîte de connexion 4" standard



PAVILLON STANDARD 9.0"X1.75"
Installation sur boîte de connexion 4" standard
Pour option RCA

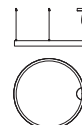


PAVILLON PROFIL BAS 9.4"X0.50"
Installation sur boîte 3981C (**vendue séparément**)
Pour 4802-36 / 4802-54 DV et 4802-36 DP
Pilot encastré pour une installation discrète



PAVILLON PROFIL BAS 9.4"X0.50"
Installation sur boîte 3981D (**vendue séparément**)
Pour 4802-72 DV et 4802-54 / 4802-72 DP
Pour 4802DI-36, 4802DI-54 et 4802DI-72
Pilot encastré pour une installation discrète

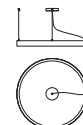
POSITION DU PAVILLON



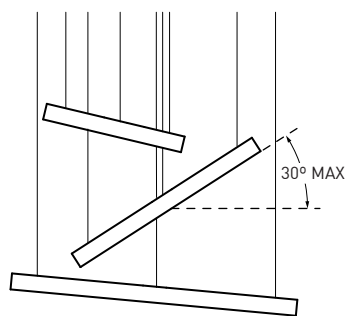
4802-XX
Centré avec le point de montage (standard)



4802-XX-RCA
Centré avec le luminaire / Câbles centrés



4802-XX-RCC
Centré avec le luminaire / Câbles droits



SUSPENSION DROITE OU EN ANGLE
Peut être suspendu avec un angle horizontal maximal de 30°

3 FORMATS POLYVALENTS
Une infinité de combinaisons possibles
Pour les petits aux plus grands espaces

SPÉCIFICATIONS

	4802-36	4802-54	4802-72	4802DI-36	4802DI-54	4802DI-72
SOURCE LUMINEUSE	390x LED	624x LED	858x LED	390x LED + 3x COB	624x LED + 6x COB	858x LED+ 9x COB
LUMENS REELS	5926lm	8825lm	12393lm (4000K)	7015lm	10400lm	18034lm
PUISSANCE TOTALE	~54W	~78W	~115W	~66W	~96W	~271W
MODULE	Reconnu UL - Bandes DEL sur mesure - Fabriqué aux États-Unis					
IRC	85 IRC (typique)					
STRUCTURE	Extrusions d'aluminium roulées par CNC (0.125po d'épaisseur) / joints de soudure invisibles					
VOLTAGE	120V ou 277V		120V ou 277V		120V ou 277V	
PILOTE	Gradation standard phase (DP) ou 0-10V (DV)					
LM-79	Sur demande					
GARANTIE	5 ans					
POIDS (EMBALLÉ)	30 lbs	45 lbs	70 lbs	30 lbs	45 lbs	70 lbs



225 de Liège Ouest, Suite #200
Montréal (QC), Canada H2P 1H4
Tel : 514.385.3515 Fax : 514.385.4169
www.eurekalighting.com



4802-36
4802DI-36

4802-54
4802DI-54

4802-72
4802DI-72