

CYCLE 4800-54

PROJECT PROJÉT
SPEC TYPE
NOTES

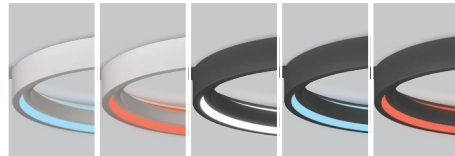


FAMILY FAMILLE



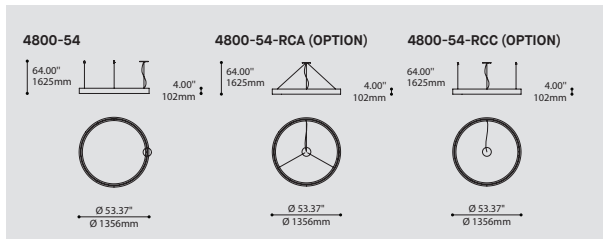
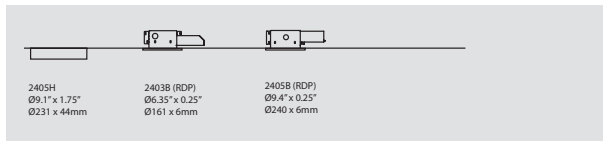
3800 3800 4844-2 / 4844-3

OPTIONAL INSIDE FINISH OF EXTERNAL RING FINI INTERNE OPTIONNEL DE L'ANNEAU EXTÉRIEUR



WHM-BLU WHM-RED ANTE-WH ANTE-BLU ANTE-RED

MOUNTING OPTIONS OPTIONS DE MONTAGE



ORDERING SPECIFICATION	SPÉCIFICATION DE COMMANDE	CODE
MODEL MODÈLE	4800-54 CYCLE 54*	4800-54
LIGHT SOURCE SOURCE LUMINEUSE	(WATTAGE, LAMP TYPE, OTHER INFO) LED LED REGULAR OUTPUT LED.HO LED HIGH OUTPUT	
COLOR TEMPERATURE TEMPÉRATURE DE COULEUR	30 3000K 35 3500K 40 4000K	
VOLTAGE VOLTAGE	120V 120 VOLT 277V 277 VOLT 347V 347 VOLT* *ONLY AVAILABLE WITH REGULAR OUTPUT LIGHT SOURCE	
DIMMING OPTION OPTION DE GRADATION	DV 0-10V DIMMING (120-277V) DP PHASE DIMMING (120V) LED DIMMING DRIVER IS STANDARD IN THIS PRODUCT. PLEASE SPECIFY YOUR DIMMING TYPE.	
DRIVER POSITION POSITION DU PILOT	RDP* RECESSED DRIVER** *3981C (REG) OR 3981D (HO) ACCESSORY IS REQUIRED **ONLY AVAILABLE WITH 120V & 277V	
CABLE CABLE	AC AIRCRAFT MOUNTING & CLEAR CABLE, FIELD ADJUSTABLE	AC
CABLE LENGTH LONGUEUR DE CABLE	60 60" AIRCRAFT CABLE (STD LENGTH) ** CUSTOM AIRCRAFT CABLE LENGTH (PLEASE SPECIFY) FOR OVERALL LENGTH PLEASE CONTACT YOUR EUREKA REPRESENTATIVE	
MOUNTING OPTION OPTION DE MONTAGE	RC ROUND CANOPY / PAVILLON ROND FOR RECESSED DRIVER OPTION (REG) : 0.25" (2403B) FOR RECESSED DRIVER OPTION (HO) : 0.25" (2405B) FOR STANDARD: 1.75" CANOPY (2405H)	RC
MOUNTING CABLE OPTION OPTION DE MONTAGE DE CABLE	IF NO OPTION IS SELECTED, AN OFF-CENTERED ROUND CANOPY WITH STRAIGHT AIRCRAFT CABLES WILL BE PROVIDED RCA CENTERED ROUND CANOPY - AIRCRAFT CABLES ANGLED TO CENTER* RCC CENTERED ROUND CANOPY - STRAIGHT AIRCRAFT CABLES *NOT AVAILABLE WITH RECESSED DRIVER (RDP)	
CANOPY FINISH FINI PAVILLON	WHM MATTE WHITE	WHM
RING FINISH FINI ANNEAUX	WHM MATTE WHITE ANTE ANTHRACITE FINE TEXTURE	
OPTIONAL INSIDE FINISH OF EXTERNAL RING FINI INTERNE OPTIONNEL DE L'ANNEAU EXTÉRIEUR	IF NO FINISH IS SELECTED THE INSIDE RING FINISH OF THE EXTERNAL RING WILL BE WHITE BLU BLUE RED RED	
ACCESSORY ACCESSOIRE	3981C JUNCTION BOX FOR RECESSED DRIVER OPTION (REG) 3981D JUNCTION BOX FOR RECESSED DRIVER OPTION (HO) 2990I TONE INTERIOR CHARCOAL FELT 2990E TONE EXTERIOR CHARCOAL FELT 2990EI TONE EXTERIOR-INTERIOR CHARCOAL FELT	

PRODUCT CHARACTERISTICS CARACTÉRISTIQUES DU PRODUIT



DESIGN: The perfectly diffused direct/indirect illumination of Cycle create a luminous halo that fills large spaces with presence and simplicity.

INSTALLATION: Whether wall or ceiling mounted Cycle RGB has a simple and easy to install three point mounting system. Easy to install, adjust and level triple aircraft mounting, available with straight or angled cables on a central canopy.

LIGHT SOURCE: Custom designed and manufactured light engine featuring high performance LEDs that deliver 500 lm/ft initial lumens in regular output or 1000lm/ft in high output.

STRUCTURE: Seamlessly finished, rolled concentric aluminium extrusions with highly reflective inner matte white polyester powder coating available with outer finish in matte white or textured anthracite. Inner finish insert available in blue or red for a colored glow.

CERTIFIED: c-CSA-us

ANATOMY

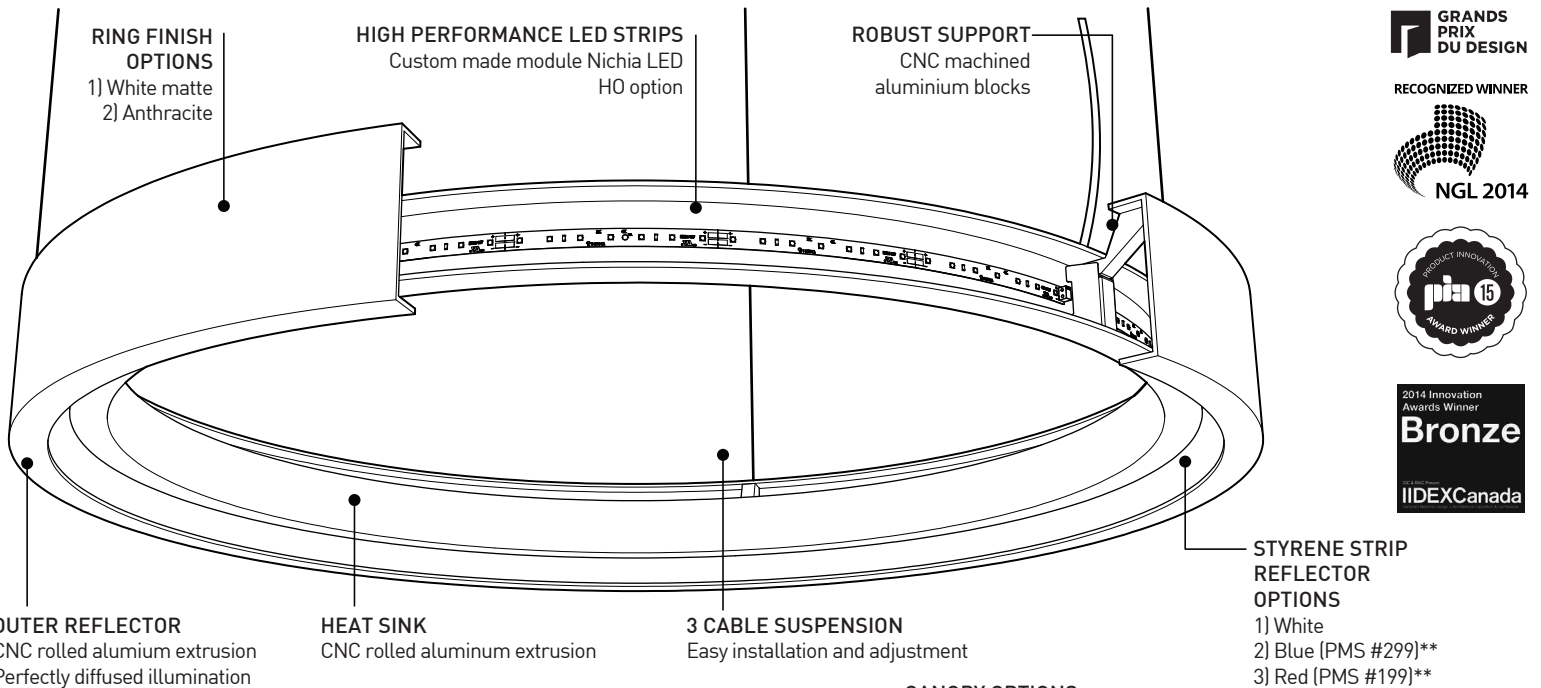
BIM

DIM

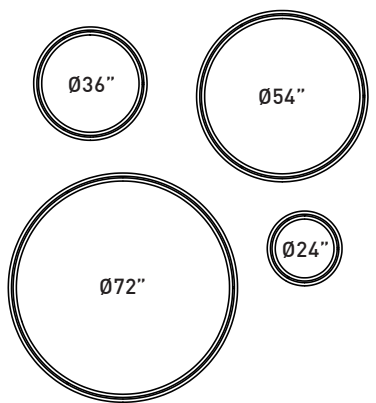
IES

LED

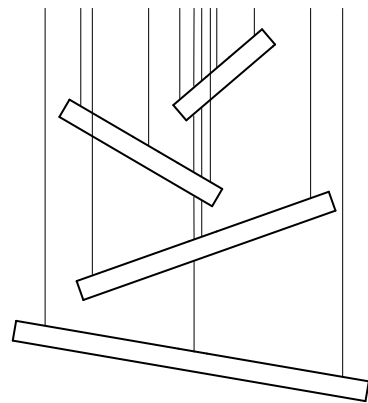
CYCLE



RECOGNIZED WINNER

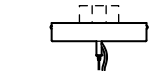


4 VERSATILE SIZES
An infinite number of possible layouts
From the smallest to the largest space

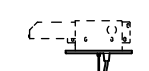


HANG IT STRAIGHT OR ANGLED
Hole pattern provided for 0, 10, 20, 30 & 40°
for easy installation

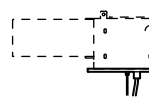
CANOPY OPTIONS



STANDARD CANOPY 9.0"X1.75"
Mounting on a 4" standard j-box



LOW PROFILE CANOPY 6.4"X0.25"
Mounting on Eureka box 3981C (sold separately)
Recessed driver for discreet installation



LOW PROFILE CANOPY 9.4"X0.25"
Mounting on Eureka box 3981D (sold separately)
Recessed driver for discreet installation

CANOPY POSITION



4800-XX
Centered with
mounting point
(standard)



4800-XX-RCA
Centered with
luminaire /
Centered cables



4800-XX-RCC
Centered with
luminaire /
Straight cables

CHARACTERISTICS	4800-24	4800-36	4800-54	4800-72
LIGHT SOURCE	117x Nichia	195x Nichia	312x Nichia	429x Nichia
DELIVERED LUMENS	~1645 lm (4000K)	~2772 lm (4000K)	~4470 lm (4000K)	~6155 lm (4000K)
SYSTEM WATTAGE	~21W	~34W	~54W	~73W
LIGHT SOURCE (HO)	117x Nichia ± 41W	195x Nichia ± 69W	312x Nichia ± 110W	858x Nichia ± 127W
DELIVERED LUMENS (HO)	~3287 lm (4000K)	~5547 lm (4000K)	~8944 lm (4000K)	~11691 lm (4000K)
SYSTEM WATTAGE	~48W	~78W	~126W	~144W
MODULE	UL Recognized - Custom design flexible strip - Made in USA			
CRI	85 CRI (typical)			
STRUCTURE	Custom CNC rolled aluminium extrusions (0.125in thickness) / Seamless welding			
LIGHT DISTRIBUTION	Direct/Indirect 50/50			
VOLTAGE*	120V or 277V or 347V*	120V or 277V or 347V*	120V or 277V or 347V*	120V or 277V
DIMMING	Phase (DP) or 0-10V (DV) Dimming (standard with this fixture)			
WARRANTY	5 years			
WEIGHT (PACKAGED)	35 lbs	50 lbs	75 lbs	100 lbs

* 347V not available for HO option

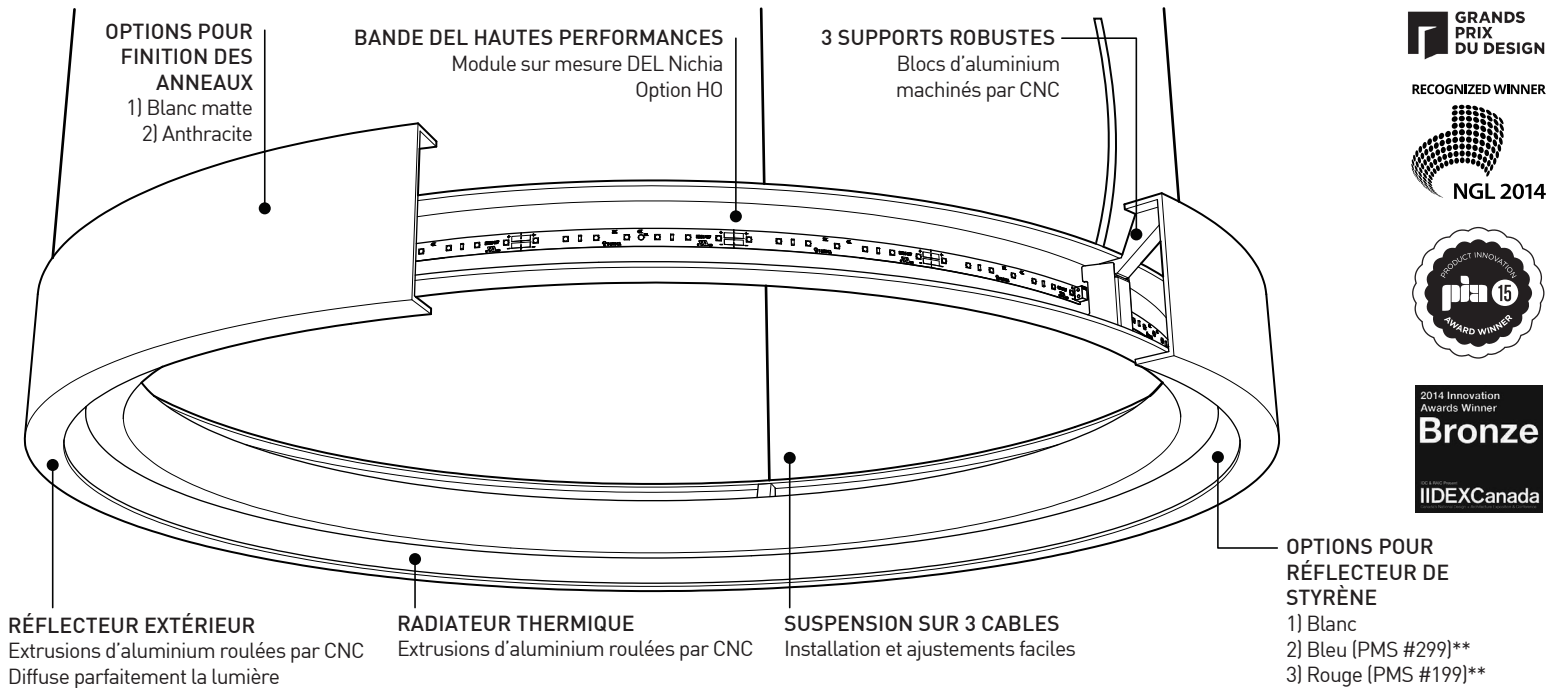
** Color may vary slightly as it will be affected by the color temperature of the light and by the saturation/reflection onto the colored surface



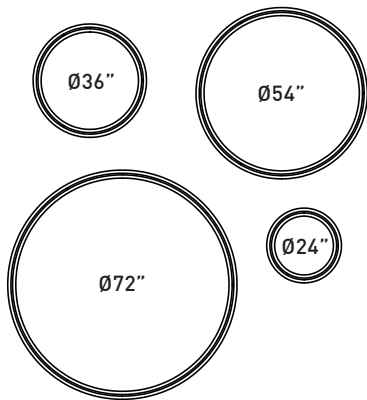
225 de Liège Ouest, Suite #200
Montréal (QC), Canada H2P 1H4
Tel : 514.385.3515 Fax : 514.385.4169
www.eurekalighting.com



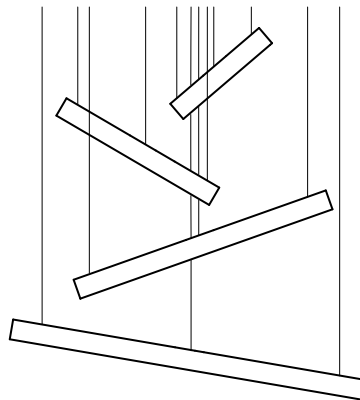
4800-24 | 4800-36
4800-54 | 4800-72



RECOGNIZED WINNER

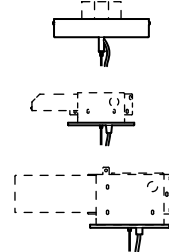


4 FORMATS POLYVALENTS
Une infinité de combinaisons possibles
Pour les petits aux plus grands espaces



SUSPENSION DROITE OU EN ANGLE
Gabarit de perçage de 0, 10, 20, 30 & 40°
fourni pour une installation facile

OPTIONS DE PAVILLON



PAVILLON STANDARD 9.0"X1.75"
Installation sur boîte de connexion 4" standard

PAVILLON PROFIL BAS 6.4"X0.25"
Installation sur boîte 3981C (**vendue séparément**)
Pilot encastré pour une installation discrète

PAVILLON PROFIL BAS 9.4"X0.25"
Installation sur boîte 3981D (**vendue séparément**)
Pilot encastré pour une installation discrète

POSITION DU PAVILLON

4800-XX
Centré avec le point de montage (standard)

4800-XX-RCA
Centré avec le luminaire / Câbles centrés

4800-XX-RCC
Centré avec le luminaire / Câbles droits

CARACTÉRISTIQUES	4800-24	4800-36	4800-54	4800-72
SOURCE LUMINEUSE	117x Nichia	195x Nichia	312x Nichia	429x Nichia
LUMENS REELS	~1645lm (4000K)	~2772 lm (4000K)	~4470 lm (4000K)	~6155 lm (4000K)
CONSOMMATION TOTALE	~21W	~34W	~54W	~73W
SOURCE LUMINEUSE (HO)	117x Nichia ± 41W	195x Nichia ± 69W	312x Nichia ± 110W	858x Nichia ± 127W
LUMENS REELS (HO)	~3287 lm (4000K)	~5547 lm (4000K)	~8944 lm (4000K)	~11691S lm (4000K)
CONSOMMATION TOTALE	~48W	~78W	~126W	~144W
MODULE	Reconnu UL - Bandes DEL sur mesure - Fabriqué aux États-Unis			
IRC	85 IRC (typique)			
STRUCTURE	Extrusions d'aluminium roulées par CNC (0.125po d'épaisseur) / joints de soudure invisibles			
DISTRIBUTION LUMINEUSE	Direct/Indirect 50/50			
VOLTAGE*	120V ou 277V ou 347V*	120V ou 277V ou 347V*	120V ou 277V ou 347V*	120V ou 277V
GRADATION	Gradation phase (DP) ou 0-10V (DV) (standard avec ce luminaire)			
GARANTIE	5 ans			
POIDS (EMBALLÉ)	35 lbs	50 lbs	75 lbs	100 lbs

* 347V pas disponible pour l'option HO

** La couleur peut varier en fonction de la température lumineuse choisie et de la saturation / réflexion sur la surface colorée



225 de Liège Ouest, Suite #200
Montréal (QC), Canada H2P 1H4
Tel : 514.385.3515 Fax : 514.385.4169
www.eurekalighting.com



4800-24 | 4800-36
4800-54 | 4800-72