

SCOUT 4548

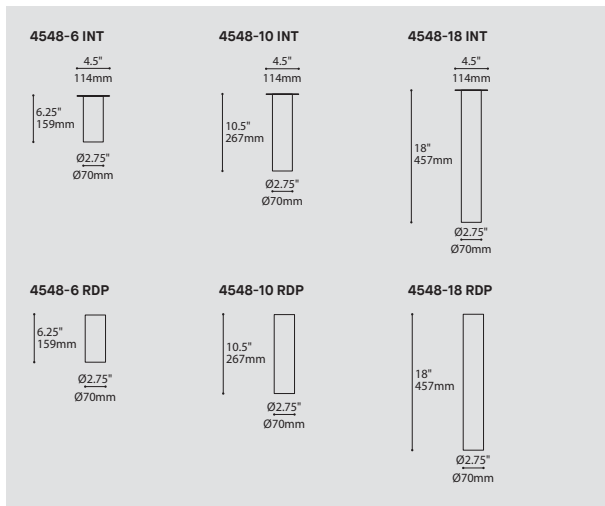
PROJECT PROJÉT
SPEC TYPE
NOTES



OPTIONS



BLKE WHE LGE PGE NBE RDP

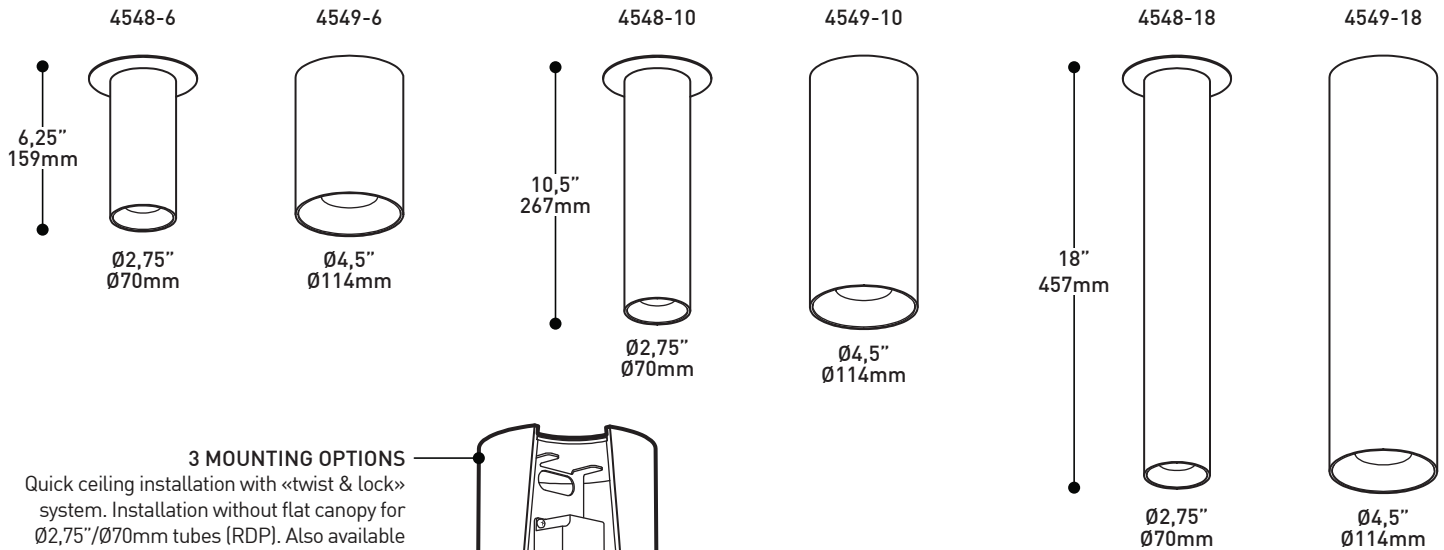


ORDERING SPECIFICATION	SPÉCIFICATION DE COMMANDE	CODE
MODEL MODÈLE		
4548-6	SCOUT 6"	
4548-10	SCOUT 10"	
4548-18	SCOUT 18"	
LIGHT SOURCE SOURCE LUMINEUSE		
LED	REGULAR OUTPUT	
LED.HO	HIGH OUTPUT	
COLOR TEMPERATURE TEMPÉRATURE DE COULEUR		
30	3000K	
35	3500K	
40	4000K	
VOLTAGE VOLTAGE		
120V	120 VOLT	
277V	277 VOLT	
DIMMING OPTION OPTION DE GRADATION		
DV	0-10V DIMMING (120V-277V)	
DP	PHASE DIMMING (120V ONLY)	
	LED DIMMING DRIVER IS STANDARD IN THIS PRODUCT. PLEASE SPECIFY YOUR DIMMING TYPE.	
BEAM ANGLE ANGLE DE FAISCEAU		
NA	NARROW	
ME	MEDIUM	
OPTICAL ACCESSORIES ACCESSOIRES OPTIQUES		
CLR	CLEAR GLASS LENS	
FRO	FROSTED GLASS LENS	
HON	HONEYCOMB LOUVER	
DRIVER & CANOPY OPTION OPTION DE PILOTE & PAVILLON		
INT*	INTERNAL DRIVER, WITH FLAT CANOPY	
RDP	RECESSED DRIVER, NO CANOPY	
	*FOR 4548-6, DRIVER WILL BE IN DEEP JUNCTION BOX	
CANOPY FINISH FINI PAVILLON ^(A)		
WHE*	WHITE FINE TEXTURE	
	*IF NO FINISH IS SELECTED, FLAT CANOPY FINISH WILL BE THE SAME AS STRUCTURE FINISH	
	^(A) FILL IN IF INT DRIVER & CANOPY OPTION AND WHE FINISH IS SELECTED, OTHERWISE LEAVE EMPTY.	
STRUCTURE FINISH FINI STRUCTURE		
BLKE	BLACK FINE TEXTURE	
WHE	WHITE FINE TEXTURE	
LGE	LIGHT GREY FINE TEXTURE	
PGE	PALE GREEN FINE TEXTURE	
NBE	NAVY BLUE FINE TEXTURE	
BAFFLE FINISH FINI DÉFLECTEUR		
BLKE	BLACK FINE TEXTURE	
WHE	WHITE FINE TEXTURE	
ACCESSORY ACCESSOIRE		
3983	DEEP JUNCTION BOX (PROVIDED FOR 4548-6 WITH INT OPTION)	

PRODUCT CHARACTERISTICS CARACTÉRISTIQUES DU PRODUIT



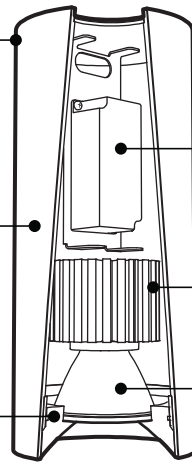
- DESIGN:** Scout offers a universal shape while offering an impressive list of configurations to enhance your interior spaces. Scout is offered in 2 diameters, 3 lengths, 5 tube colors and 3 mounting options, for limitless combinations.
- INSTALLATION:** Designed with a "twist and lock" installation system for easy installation without visible fasteners. Scout can be installed with (INT) or without (RDP) flat canopy. Also available as pendant or wall mount.
- LIGHT SOURCE:** Available with regular (LED) and high output (LED.HO), combined with standard dimming option: either phase (DP) or 0-10V (DV).
- STRUCTURE:** Machined aluminum tube offered with textured black, white, light grey, navy blue or pale green finish. Scout can be specified with 2 baffle finishes: white or black.
- OPTIC:** Designed with narrow, medium or wide beam angle, to meet all applications. Optical choice of clear, frosted or honeycomb lenses available.
- CERTIFIED:** c-CSA-us



3 MOUNTING OPTIONS
Quick ceiling installation with «twist & lock» system. Installation without flat canopy for Ø2,75"/Ø70mm tubes (RDP). Also available as pendant and wall mount.

6 FORMATS & 5 FINISHES
Machined aluminum cylindrical structure, offered in textured black, white, light gray, navy blue or pale green finish.

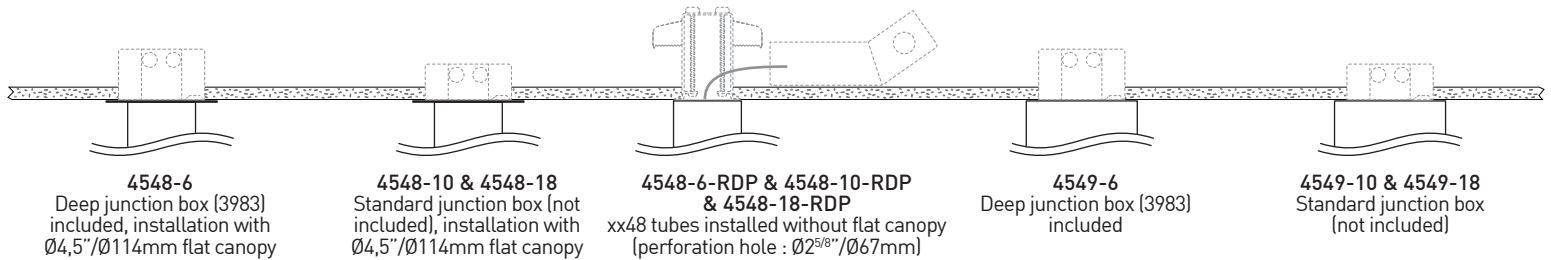
2 BAFFLE FINISHES
White or black, two options to fit your needs.



2 DIMMING TYPE
Standard phase dimming (DP) or 0-10V dimming (DV).
Integrated LED Driver (454x-10 et 454x-18).
Deep junction box (3983) included (304x-6).

2 OUTPUTS & 3 CCT
Extruded aluminum heatsink designed to efficiently offer regular and high output.

REFLECTORS & 3 OPTICAL ACCESSORIES
Narrow, medium or wide (xx49 only) beam angle reflector. Choice of optical accessories: Clear lens, frosted lens or honeycomb louver.



SPECIFICATIONS

LIGHT SOURCE
TOTAL WATTAGE
DELIVERED LUMENS
CRI
CCT
STRUCTURE
HEATSINK
RÉFLECTOR
OPTICAL ACCESSORIES
LED DRIVER
DIMMING (VOLTAGE)
WARRANTY

4548-xx (Ø2,75"/Ø70mm tube)

COB LED REG (regular) or HO (high output), UL Recognized
REG 9,5W - HO 13,6W
1051 lm (REG, 4000K, CLR), 1430 lm (HO, 4000K, CLR)
>80 CRI
3000k, 3500k or 4000k
Machined aluminum tube Ø2,75"/Ø70mm
Extruded aluminum with black anodized finish
Polycarbonate reflector, beam angles : 24° or 45° (FWHM)
Clear lens, frosted lens or honeycomb louver
Constant current 250mA or 350mA, UL Recognized
Phase dimming (DP) 120V or 0-10V dimming (DV) 120-277V
5 years

4549-xx (Ø4,5"/Ø114mm tube)

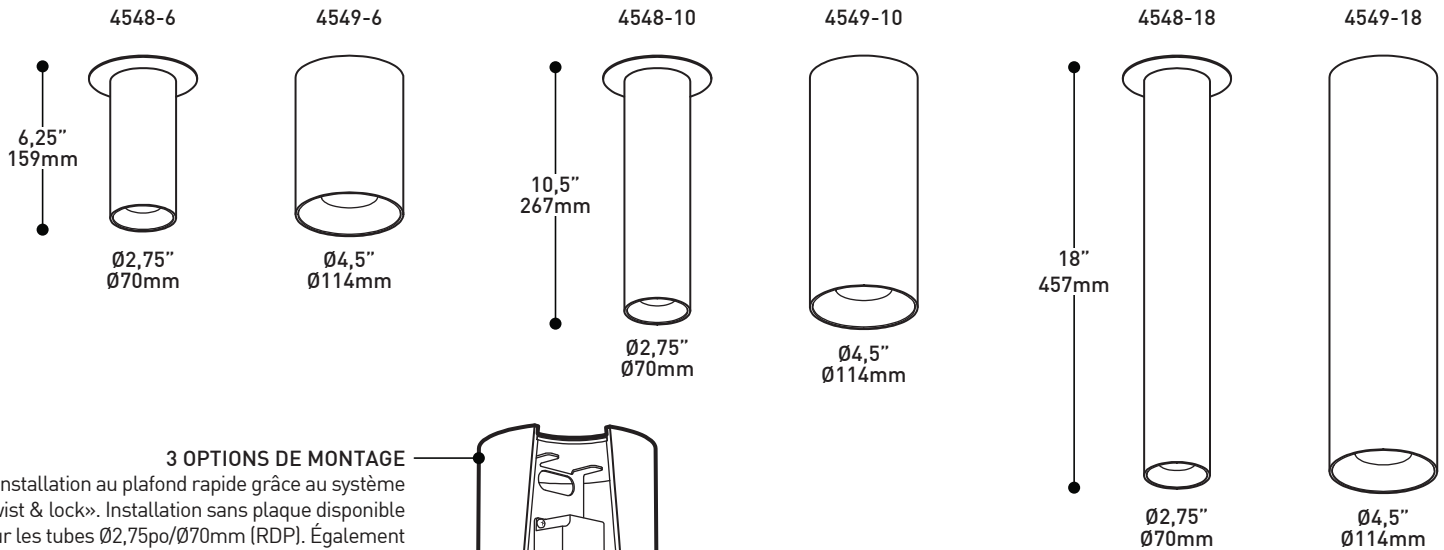
COB LED REG (regular) or HO (high output), UL Recognized
REG 13,6W - HO 20W
1394 lm (REG, 4000K, CLR), 1914lm (HO, 4000K, CLR)
Machined aluminum tube Ø4,5"/Ø114mm
Beam angles : 28°, 48° or 64° (FWHM)
Constant current 350mA or 500mA, UL Recognized



225 de Liège Ouest, Suite #200
Montréal (QC), Canada H2P 1H4
Tel : 514.385.3515 Fax : 514.385.4169
www.eurekalighting.com



4548-xx
4549-xx



3 OPTIONS DE MONTAGE

Installation au plafond rapide grâce au système «twist & lock». Installation sans plaque disponible pour les tubes Ø2,75po/Ø70mm (RDP). Également disponible en version suspension et murale.

6 FORMATS & 5 FINIS OFFERTS

Structure cylindrique en aluminium usiné, disponible avec finition architecturale finement texturée noire, grise pâle, blanche, bleue marine ou verte pâle.

2 FINIS DE DÉFLECTEUR

Offert en blanc ou noir, deux options pour tous vos besoins.

2 TYPES DE GRADATION

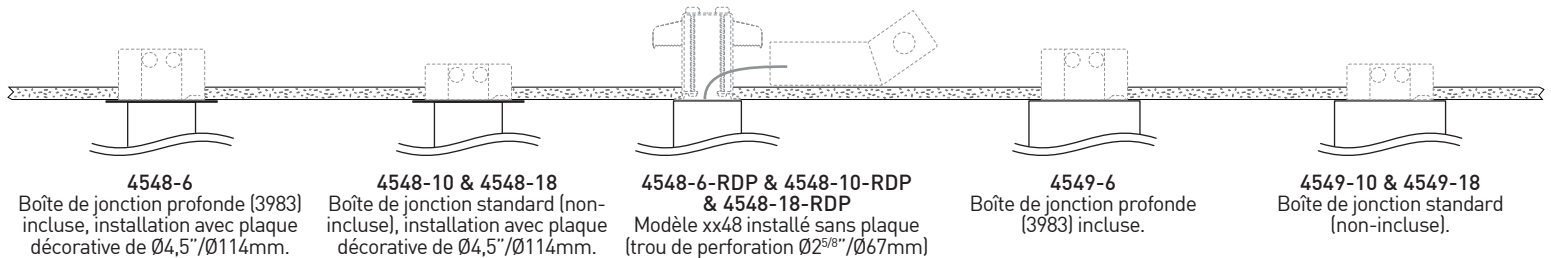
Gradation de type phase (DP) ou 0-10V (DV). Unité d'alimentation intégrée (modèles 454x-10 et 454x-18). Boîte de jonction octogonale profonde 3983 incluse (modèle 454x-6).

2 PUISSANCES & 3 TEMPÉRATURES DE COULEUR

Dissipateur thermique extrudé en aluminium efficace permettant d'offrir deux puissances différentes.

RÉFLECTEURS & 3 ACCESSOIRES OPTIQUES

Réflecteurs offrant un faisceau lumineux étroit, moyen ou large (xx49 seulement). Choix d'accessoires optiques : lentille claire, lentille givrée ou grille en nid d'abeille.



SPÉCIFICATIONS

SOURCE LUMINEUSE

PUISSANCE TOTALE

LUMENS RÉELS

IRC

CCT

STRUCTURE

RADIATEUR

RÉFLECTEUR

ACCESSOIRES OPTIQUES

UNITÉ D'ALIMENTATION

GRADATION (VOLTAGE)

GARANTIE

4548-xx (tube de Ø2,75"/Ø70mm)

DEL COB REG (régulier) ou HO (haute puissance), Reconnu UL

REG 9,5W - HO 13,6W

1051 lm (REG, 4000K, CLR), 1430 lm (HO, 4000K, CLR)

>80 IRC

3000k, 3500k ou 4000k

Tube en aluminium usiné de Ø2,75"/Ø70mm

Aluminium extrudé fini noir anodisé

Réflecteur en polycarbonate, angles de faisceaux : 24° ou 45° (FWHM)

Lentille claire, lentille givrée ou grille en nid d'abeille

Courant constant 250mA ou 350mA, reconnu UL

Gradation de type phase (DP) 120V ou gradation 0-10V (DV) 120-277V

5 ans

4549-xx (tube de Ø4,5"/Ø114mm)

DEL COB REG (régulier) ou HO (haute puissance), Reconnu UL

REG 13,6W - HO 20W

1394 lm (REG, 4000K, CLR), 1914lm (HO, 4000K, CLR)

>80 IRC

Tube en aluminium usiné de Ø4,5"/Ø114mm

Angles de faisceaux : 28°, 48° ou 64° (FWHM)

Courant constant 350mA ou 500mA, reconnu UL