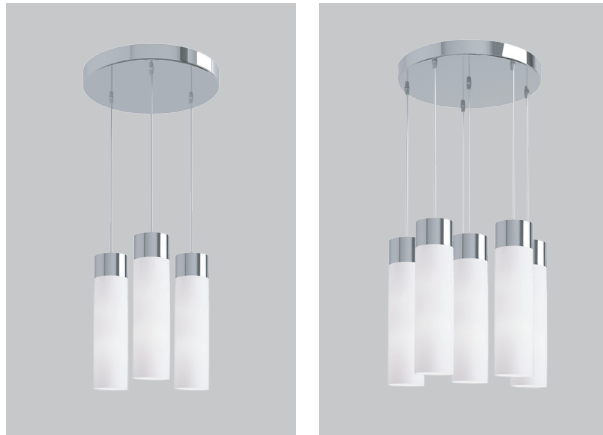


# DROP 4427-XBL

PROJECT PROJÉT
SPEC TYPE
NOTES

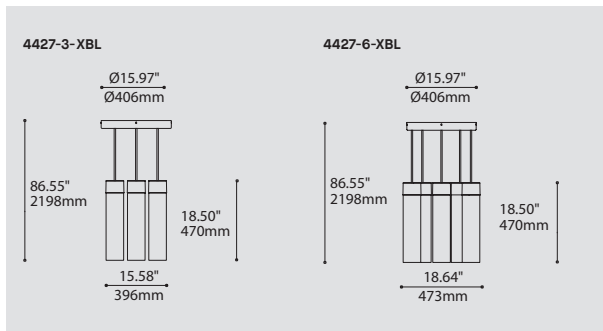


## FAMILY FAMILLE



3738-XBL

4233-XBL



## ORDERING SPECIFICATION SPÉCIFICATION DE COMMANDE

### MODEL MODÈLE

**4427-3** DROP 3 (3 X SHADES)  
**4427-6** DROP 6 (6 X SHADES)

### SHADE OPTION OPTION D'ABAT-JOUR

**XBL** FASIL

### LIGHT SOURCE SOURCE LUMINEUSE

(WATTAGE, LAMP TYPE, LAMP FORM, BASE TYPE, OTHER INFO)

**CF.D.13** 13W, CFL, DOUBLE TWIN TUBE, G24Q1 BASE  
**CF.D.18** 18W, CFL, DOUBLE TWIN TUBE, G24Q2 BASE  
**CF.T.32** 26/32W, CFL, DOUBLE / TRIPLE TWIN TUBE, G24Q3 BASE  
**LED** REGULAR OUTPUT  
**LED.HO** HIGH OUTPUT

### COLOR TEMPERATURE TEMPÉRATURE DE COULEUR

FOR LED ONLY

**30** 3000K  
**35** 3500K  
**40** 4000K

### VOLTAGE VOLTAGE

**120V** 120 VOLT  
**277V** 277 VOLT  
**347V\*** 347 VOLT

\*ONLY AVAILABLE WITH CF.D.13, CF.D.18 AND CF.T.32 (NON-DIMMING BALLAST)

### DIMMING OPTION OPTION DE GRADATION

AVAILABLE WITH CF.D.18 AND CF.T.32 ONLY, MAXIMUM 36" CABLE LENGTH

**DED** LUTRON ECOSYSTEM ELECTRONIC DIMMING BALLAST (ECOSYSTEM DIGITAL LINK WIRING)  
**DE3** LUTRON ECOSYSTEM ELECTRONIC DIMMING BALLAST (3-WIRE WIRING)

FOR LED ONLY

**DV** 0-10V DIMMING (120-277V)  
**DP** PHASE DIMMING (120V ONLY) (FOR XBL ONLY)

LED DIMMING DRIVER IS STANDARD IN THESE PRODUCTS. PLEASE SPECIFY YOUR DIMMING TYPE.

### CABLE CABLE

**C** CLEAR CABLE, FIELD ADJUSTABLE

### CABLE LENGTH LONGUEUR DE CABLE

**60** 60" CABLE OR AIRCRAFT CABLE (STD LENGTH)  
**\*\*** CUSTOM CABLE OR AIRCRAFT CABLE LENGTH (PLEASE SPECIFY)  
 FOR OVERALL LENGTH PLEASE CONTACT YOUR EUREKA REPRESENTATIVE.

### STRUCTURE FINISH FINI STRUCTURE

**CHR** CHROME

### DIFFUSER FINISH FINI DIFFUSEUR

**WH** WHITE

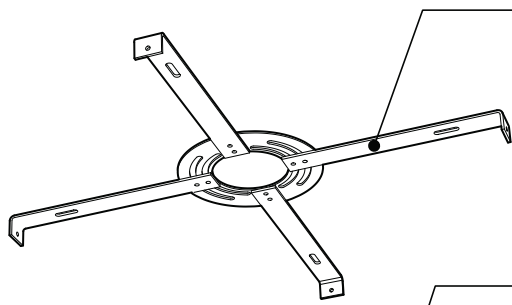
## PRODUCT CHARACTERISTICS CARACTÉRISTIQUES DU PRODUIT

**BIM** **DIM** **IES** **LED**

**DESIGN:** Drop is a beautiful chrome canopy platform designed to suspend groups of 3 or 6 selected fixtures.  
**INSTALLATION:** Mounts on standard junction boxes, and comes with support hook for easy installation.  
**LIGHT SOURCE:** LED and other light sources with dimming available.  
**STRUCTURE:** Spun steel with a chrome finish.  
**CERTIFIED:** c-CSA-us

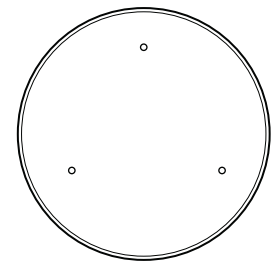
**CONCEPTION:** Drop est une jolie plate-forme chromée pour 3 ou 6 suspensions de luminaires sélectionnés.  
**INSTALLATION:** Des crochets de support sont fournis pour faciliter l'installation sur une boîte de jonction standard.

**SOURCE LUMINEUSE:** DEL et autres sources lumineuses avec options de gradation offertes.  
**STRUCTURE:** Pavillon en acier repoussé et chromé.  
**CERTIFIÉ:** c-CSA-us



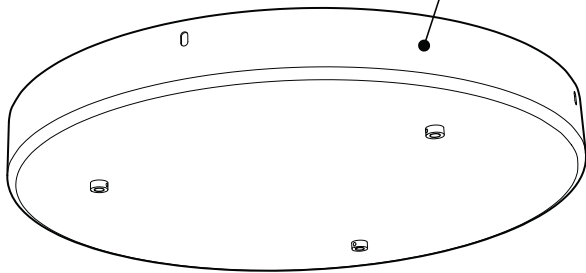
### EASY INSTALLATION

- Heavy duty bracket that mounts on standard junction box
- Comes with support hooks for easy installation
- Extra mounting points to reinforce



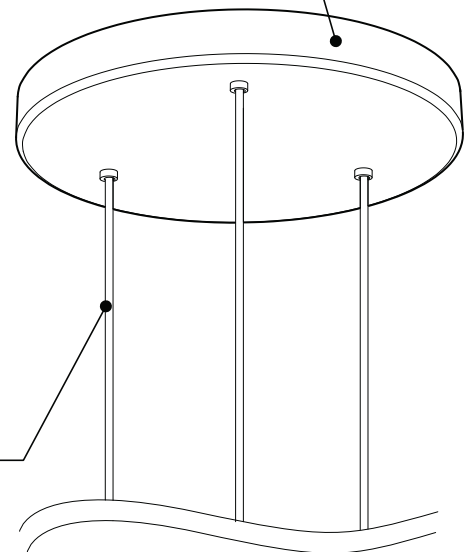
### CANOPY

Spun steel with Chrome finish



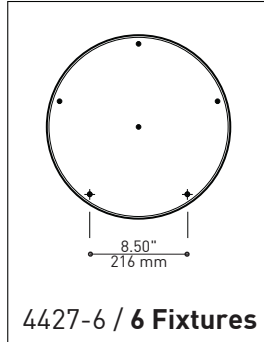
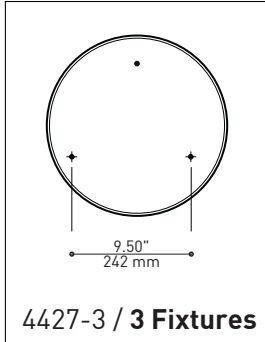
### SIMPLE

Canopy houses all electrical components for quick assembly



SUSPENSION  
60 inch of cable

### CANOPY CONFIGURATION



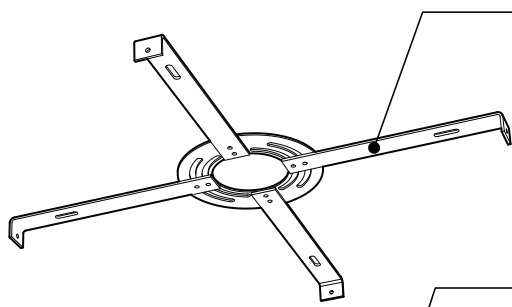
LUMINAIRES	CODE	NB. DE LUM.	WATT MAX.												
			SOURCE LUMINEUSE				DEL		FLUO		HAL		INC		
			DEL	FLUO	HAL	INC	3	6	3	6	3	6	3	6	
VEGA	XBL	3	6	X				33W	66W						
ALVER	MCC	3	6	X			X	12W	24W					180W	360W
ROLO PENDANT	MAD	3	6	X		X		12W	24W			150W	300W		
SPROKET	CFD	3	6	X		X		12W	24W			150W	300W		
MEHA	UAC	3	6	X				12W	24W						
FACET	UFC	3	6	X				12W	24W						
SILENE	JDJ/JDJA/JMJ	3	6	X	X			12W	24W	78W	156W				
FASIL	XB/XBA	3	6	X	X			33W	66W	96W	192W				
DELTA	VDP/VDPA	3	6	X	X			33W	66W	96W	192W				
SENET	XFY	3		X	X			45W		108W					
DELTA	VDX/VDXA	3	6	X	X			45W	90W	108W	216W				
SHAKER	QFI	3		X		X	X	12W				150W		180W	



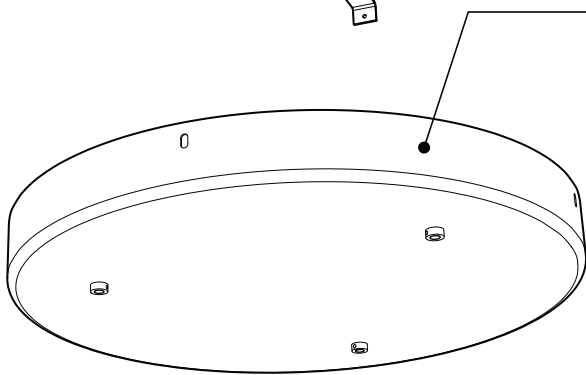
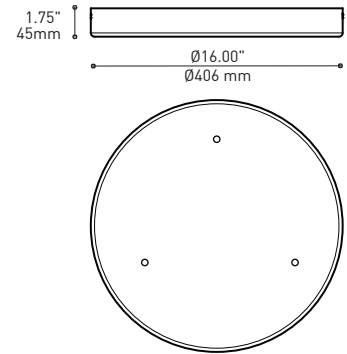
225 de Liège Ouest, Suite #200  
 Montréal (QC), Canada H2P 1H4  
 Tel : 514.385.3515 Fax : 514.385.4169  
[www.eurekalighting.com](http://www.eurekalighting.com)



4427

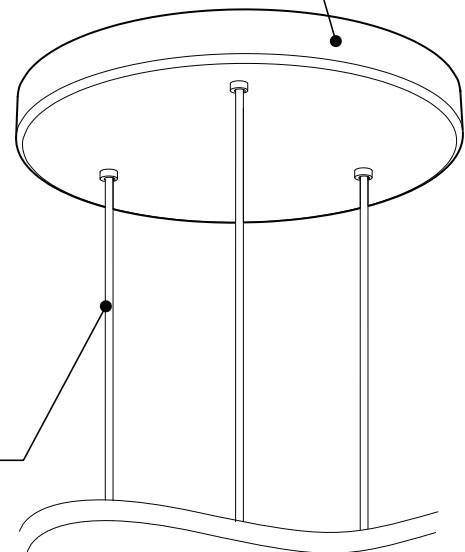


**INSTALLATION FACILE ET ROBUSTE**  
 - Crochets de support fournis pour faciliter l'installation sur une boîte de jonction standard  
 - Trous de montage supplémentaires pour renforcer la structure



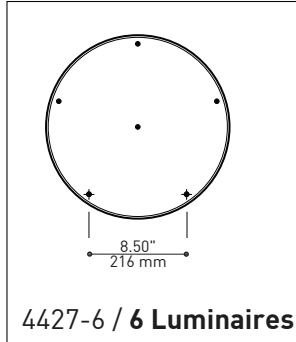
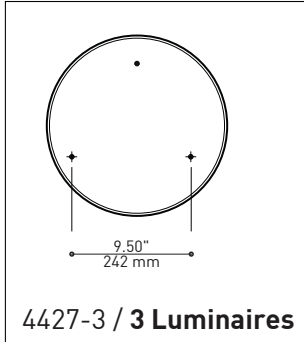
**PAVILLON**  
 Acier repoussé et chromé

**SIMPLE**  
 Jolie plate-forme chromée pouvant accueillir de 3 à 6 luminaires



**SUSPENSION**  
 60 pouces de câble

## DIMENSIONS DISPONIBLE



LUMINAIRES	CODE	NB. DE LUM.	WATT MAX.													
			SOURCE LUMINEUSE				DEL		FLUO		HAL		INC			
			DEL	FLUO	HAL	INC	3	6	3	6	3	6	3	6		
VEGA	XBL	3	6	X				33W	66W							
ALVER	MCC	3	6	X			X	12W	24W						180W	360W
ROLO PENDANT	MAD	3	6	X		X		12W	24W			150W	300W			
SPROKET	CFD	3	6	X		X		12W	24W			150W	300W			
MEHA	UAC	3	6	X				12W	24W							
FACET	UFC	3	6	X				12W	24W							
SILENE	JDJ/JDJA/JMJ	3	6	X	X			12W	24W	78W	156W					
FASIL	XB/XBA	3	6	X	X			33W	66W	96W	192W					
DELTA	VDP/VDPA	3	6	X	X			33W	66W	96W	192W					
SENET	XFY	3		X	X			45W		108W						
DELTA	VDX/VDXA	3	6	X	X			45W	90W	108W	216W					
SHAKER	QFI	3		X		X	X	12W				150W		180W		