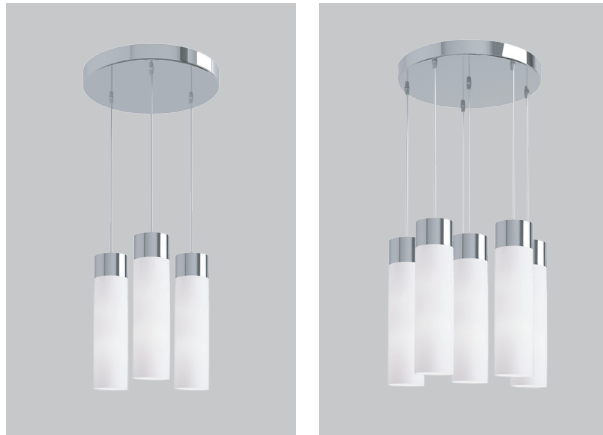


DROP 4427-XBL

PROJECT PROJÉT
SPEC TYPE
NOTES

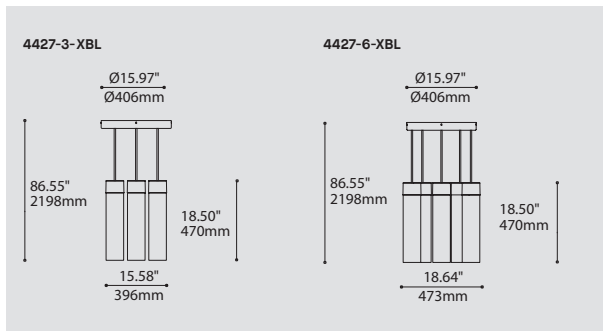


FAMILY FAMILLE



3738-XBL

4233-XBL



ORDERING SPECIFICATION SPÉCIFICATION DE COMMANDE

MODEL MODÈLE

4427-3 DROP 3 (3 X SHADES)
4427-6 DROP 6 (6 X SHADES)

SHADE OPTION OPTION D'ABAT-JOUR

XBL FASIL

LIGHT SOURCE SOURCE LUMINEUSE

(WATTAGE, LAMP TYPE, LAMP FORM, BASE TYPE, OTHER INFO)

CF.D.13 13W, CFL, DOUBLE TWIN TUBE, G24Q1 BASE
CF.D.18 18W, CFL, DOUBLE TWIN TUBE, G24Q2 BASE
CF.T.32 26/32W, CFL, DOUBLE / TRIPLE TWIN TUBE, G24Q3 BASE
LED REGULAR OUTPUT
LED.HO HIGH OUTPUT

COLOR TEMPERATURE TEMPÉRATURE DE COULEUR

FOR LED ONLY

30 3000K
35 3500K
40 4000K

VOLTAGE VOLTAGE

120V 120 VOLT
277V 277 VOLT
347V* 347 VOLT

*ONLY AVAILABLE WITH CF.D.13, CF.D.18 AND CF.T.32 (NON-DIMMING BALLAST)

DIMMING OPTION OPTION DE GRADATION

AVAILABLE WITH CF.D.18 AND CF.T.32 ONLY, MAXIMUM 36" CABLE LENGTH

DED LUTRON ECOSYSTEM ELECTRONIC DIMMING BALLAST (ECOSYSTEM DIGITAL LINK WIRING)
DE3 LUTRON ECOSYSTEM ELECTRONIC DIMMING BALLAST (3-WIRE WIRING)

FOR LED ONLY

DV 0-10V DIMMING (120-277V)
DP PHASE DIMMING (120V ONLY) (FOR XBL ONLY)

LED DIMMING DRIVER IS STANDARD IN THESE PRODUCTS. PLEASE SPECIFY YOUR DIMMING TYPE.

CABLE CABLE

C CLEAR CABLE, FIELD ADJUSTABLE

CABLE LENGTH LONGUEUR DE CABLE

60 60" CABLE OR AIRCRAFT CABLE (STD LENGTH)
****** CUSTOM CABLE OR AIRCRAFT CABLE LENGTH (PLEASE SPECIFY)
 FOR OVERALL LENGTH PLEASE CONTACT YOUR EUREKA REPRESENTATIVE.

STRUCTURE FINISH FINI STRUCTURE

CHR CHROME

DIFFUSER FINISH FINI DIFFUSEUR

WH WHITE

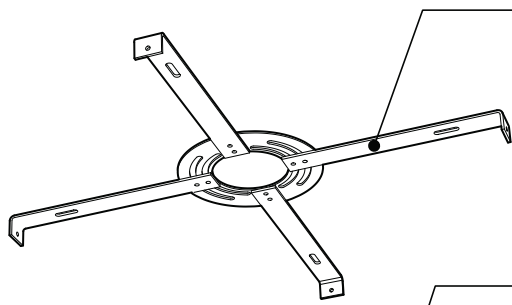
PRODUCT CHARACTERISTICS CARACTÉRISTIQUES DU PRODUIT

BIM **DIM** **IES** **LED**

DESIGN: Drop is a beautiful chrome canopy platform designed to suspend groups of 3 or 6 selected fixtures.
INSTALLATION: Mounts on standard junction boxes, and comes with support hook for easy installation.
LIGHT SOURCE: LED and other light sources with dimming available.
STRUCTURE: Spun steel with a chrome finish.
CERTIFIED: c-CSA-us

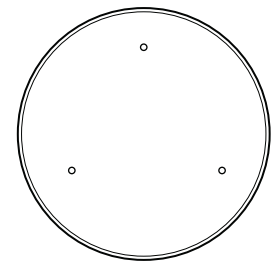
CONCEPTION: Drop est une jolie plate-forme chromée pour 3 ou 6 suspensions de luminaires sélectionnés.
INSTALLATION: Des crochets de support sont fournis pour faciliter l'installation sur une boîte de jonction standard.

SOURCE LUMINEUSE: DEL et autres sources lumineuses avec options de gradation offertes.
STRUCTURE: Pavillon en acier repoussé et chromé.
CERTIFIÉ: c-CSA-us



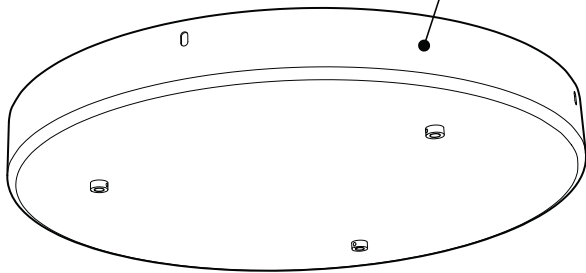
EASY INSTALLATION

- Heavy duty bracket that mounts on standard junction box
- Comes with support hooks for easy installation
- Extra mounting points to reinforce



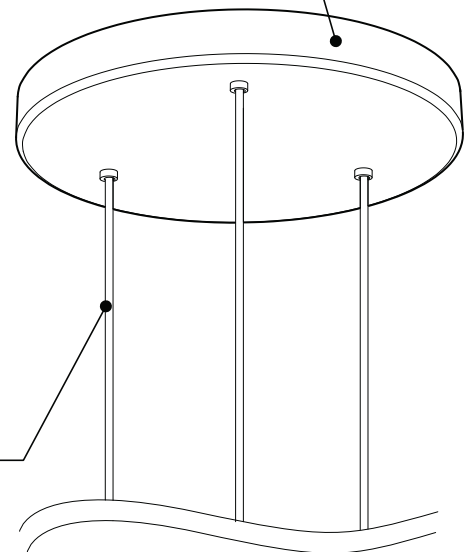
CANOPY

Spun steel with Chrome finish



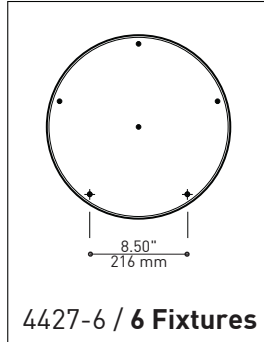
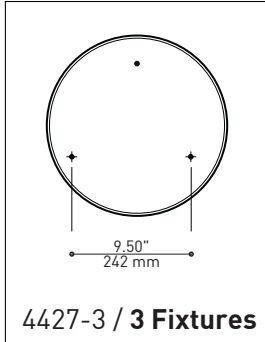
SIMPLE

Canopy houses all electrical components for quick assembly



SUSPENSION
60 inch of cable

CANOPY CONFIGURATION



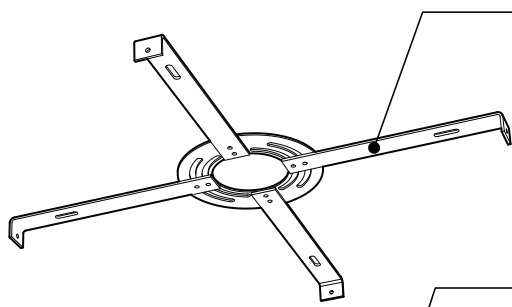
LUMINAIRES	CODE	NB. DE LUM.	WATT MAX.												
			SOURCE LUMINEUSE				DEL		FLUO		HAL		INC		
			DEL	FLUO	HAL	INC	3	6	3	6	3	6	3	6	
VEGA	XBL	3	6	X				33W	66W						
ALVER	MCC	3	6	X			X	12W	24W					180W	360W
ROLO PENDANT	MAD	3	6	X		X		12W	24W			150W	300W		
SPROKET	CFD	3	6	X		X		12W	24W			150W	300W		
MEHA	UAC	3	6	X				12W	24W						
FACET	UFC	3	6	X				12W	24W						
SILENE	JDJ/JDJA/JMJ	3	6	X	X			12W	24W	78W	156W				
FASIL	XB/XBA	3	6	X	X			33W	66W	96W	192W				
DELTA	VDP/VDPA	3	6	X	X			33W	66W	96W	192W				
SENET	XFY	3		X	X			45W		108W					
DELTA	VDX/VDXA	3	6	X	X			45W	90W	108W	216W				
SHAKER	QFI	3		X		X	X	12W				150W		180W	



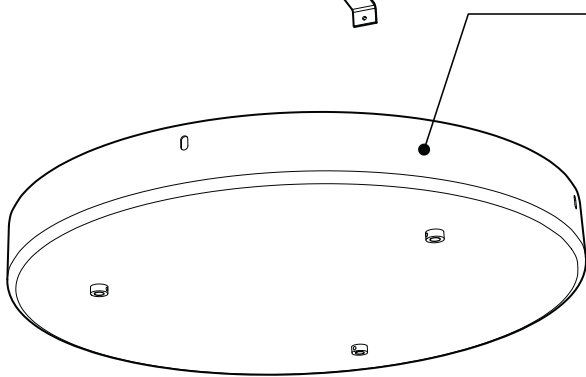
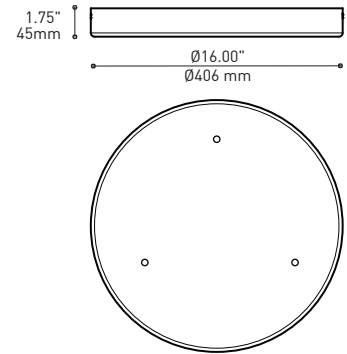
225 de Liège Ouest, Suite #200
 Montréal (QC), Canada H2P 1H4
 Tel : 514.385.3515 Fax : 514.385.4169
www.eurekalighting.com



4427

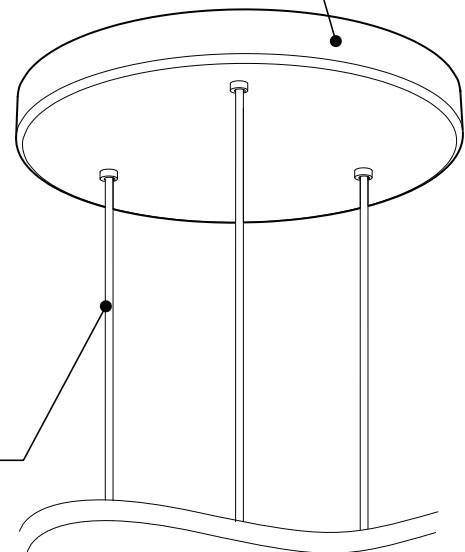


INSTALLATION FACILE ET ROBUSTE
 - Crochets de support fournis pour faciliter l'installation sur une boîte de jonction standard
 - Trous de montage supplémentaires pour renforcer la structure



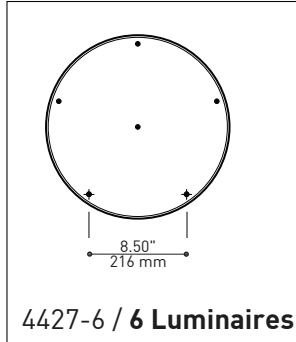
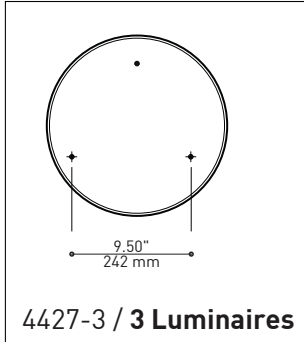
PAVILLON
 Acier repoussé et chromé

SIMPLE
 Jolie plate-forme chromée pouvant accueillir de 3 à 6 luminaires



SUSPENSION
 60 pouces de câble

DIMENSIONS DISPONIBLE



LUMINAIRES	CODE	NB. DE LUM.	WATT MAX.													
			SOURCE LUMINEUSE				DEL		FLUO		HAL		INC			
			DEL	FLUO	HAL	INC	3	6	3	6	3	6	3	6		
VEGA	XBL	3	6	X				33W	66W							
ALVER	MCC	3	6	X			X	12W	24W						180W	360W
ROLO PENDANT	MAD	3	6	X		X		12W	24W			150W	300W			
SPROKET	CFD	3	6	X		X		12W	24W			150W	300W			
MEHA	UAC	3	6	X				12W	24W							
FACET	UFC	3	6	X				12W	24W							
SILENE	JDJ/JDJA/JMJ	3	6	X	X			12W	24W	78W	156W					
FASIL	XB/XBA	3	6	X	X			33W	66W	96W	192W					
DELTA	VDP/VDPA	3	6	X	X			33W	66W	96W	192W					
SENET	XFY	3		X	X			45W		108W						
DELTA	VDX/VDXA	3	6	X	X			45W	90W	108W	216W					
SHAKER	QFI	3		X		X	X	12W				150W		180W		