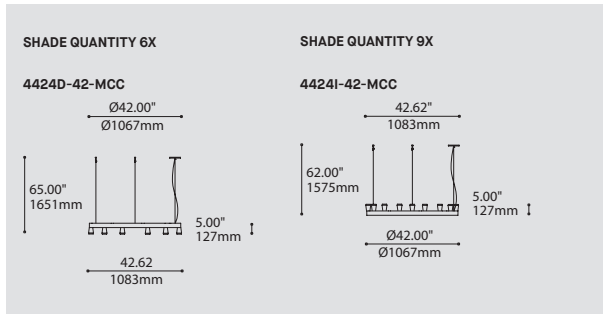
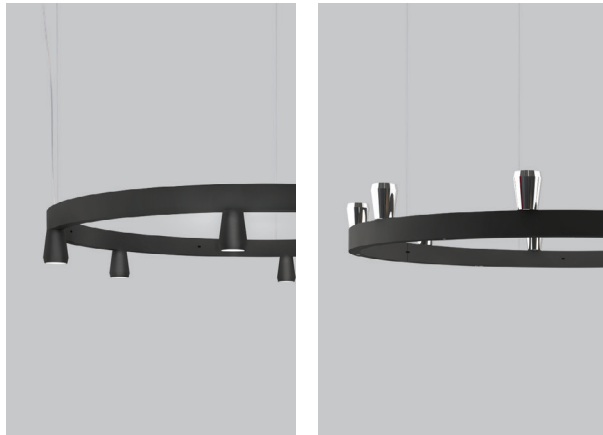


RING 4424-42-MCC

| |
|----------------|
| PROJECT PROJÉT |
| SPEC TYPE |
| NOTES |

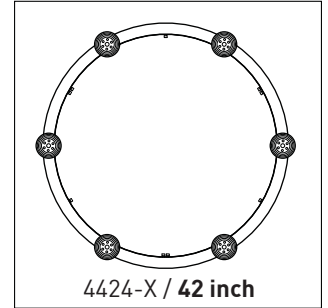
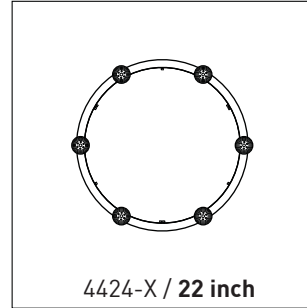
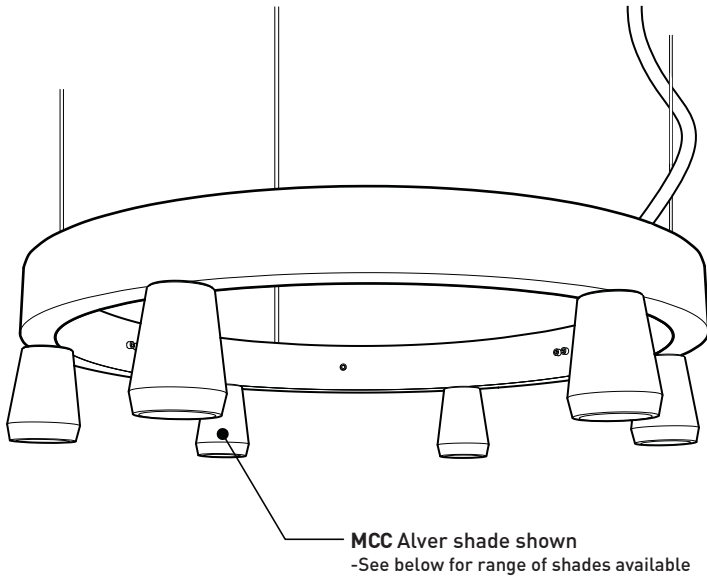


| ORDERING SPECIFICATION | SPÉCIFICATION DE COMMANDE | CODE |
|---|--|------------|
| MODEL MODÈLE | | |
| 4424D-42-MCC | RING ALVER 42" DIRECT | |
| 4424I-42-MCC | RING ALVER 42" INDIRECT | |
| SHADE QUANTITY QUANTITÉ D'ABAT-JOUR | | |
| 6 OR 9 SHADES ON 42" RING | | |
| 6 | 6 X SHADES | |
| 9 | 9 X SHADES | |
| LIGHT SOURCE SOURCE LUMINEUSE | | |
| (WATTAGE, LAMP TYPE, LAMP FORM, BASE TYPE, OTHER INFO) | | |
| INC.60 | 60W, INC, A19 / B10 / G30 / HAL T10, MEDIUM BASE (120V ONLY) | |
| LED.4 | 4W, LED | |
| COLOR TEMPERATURE TEMPÉRATURE DE COULEUR | | |
| FOR LED ONLY | | |
| 30 | 3000K | |
| 35 | 3500K | |
| 40 | 4000K | |
| ANGLE BEAM ANGLE DE DIFFUSION | | |
| FOR LED.4 MCC ONLY | | |
| 17 | 17° | |
| 48 | 48° | |
| VOLTAGE VOLTAGE | | |
| 120V | 120 VOLT | |
| 277V | 277 VOLT | |
| DIMMING OPTION OPTION DE GRADATION | | |
| FOR LED ONLY | | |
| DV | 0-10V DIMMING (120-277V) | |
| DP | PHASE DIMMING (120V ONLY) | |
| LED DIMMING DRIVER IS STANDARD IN THIS PRODUCT, PLEASE SPECIFY YOUR DIMMING TYPE. | | |
| CABLE CABLE | | AC |
| AC | AIRCRAFT MOUNTING & CLEAR CABLE, FIELD ADJUSTABLE | |
| CABLE LENGTH LONGUEUR DE CABLE | | |
| 60 | 60" AIRCRAFT CABLE (STD LENGTH) | |
| ** | CUSTOM AIRCRAFT CABLE LENGTH (PLEASE SPECIFY) | |
| FOR OVERALL LENGTH PLEASE CONTACT YOUR EUREKA REPRESENTATIVE. | | |
| MOUNTING MONTAGE | | RC |
| RC | ROUND CANOPY / PAVILLON ROND FOR INC & HAL: 1.00" CANOPY (2401E) FOR LED: 1.75" CANOPY (2405H) | |
| CANOPY FINISH FINI PAVILLON | | |
| WHE* | WHITE FINE TEXTURE *IF NO FINISH IS SELECTED, CANOPY WILL BE CHROME | |
| STRUCTURE FINISH FINI STRUCTURE | | BLK |
| BLK | BLACK | |
| DIFFUSER FINISH FINI DIFFUSEUR | | |
| BLK | BLACK | |
| CHR | CHROME | |

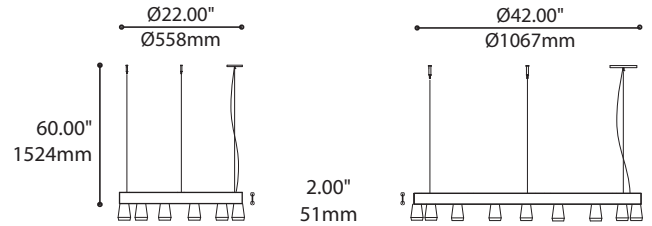
PRODUCT CHARACTERISTICS CARACTÉRISTIQUES DU PRODUIT

BIM **DIM** **IES** **LED**

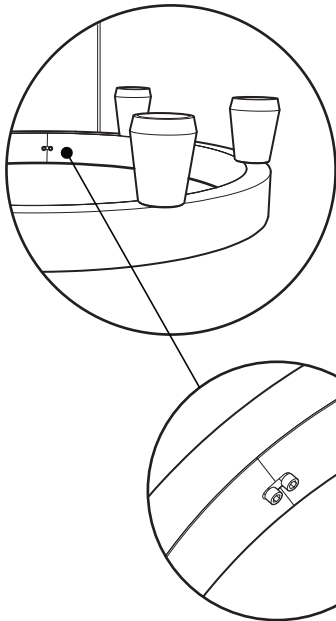
- DESIGN:** Fill larger spaces using our elegant, round chandelier platform. Elementary ring concept allows you to create a Ø42" circular arrangement of selected fixtures.
- INSTALLATION:** Mounts with three suspension points on the ceiling and fixtures come pre-assembled to ring structure. Glass shade installation is required.
- LIGHT SOURCE:** LED, halogen and incandescent light sources can be specified in both direct or indirect orientations and dimming is available.
- STRUCTURE:** Rolled extruded aluminum ring and steel cover plates are coated in black polyester powder finish.
- CERTIFIED:** c-CSA-us



RING SIZE OPTIONS



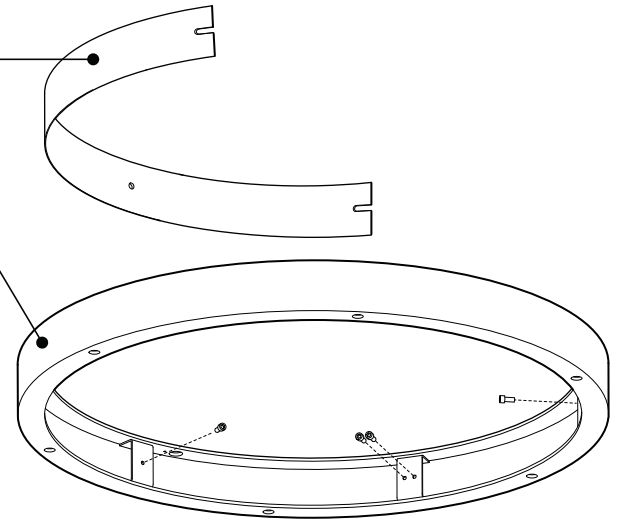
ALSO AVAILABLE IN INDIRECT ILLUMINATION



INSIDE COVER
3 Rolled Steel cover plates coated in matte black polyester powder

SEAMLESS OUTER RING
Extruded aluminum ring rolled, welded and Buffed
- Coated in black polyester powder

DISCREET BLACK SCREW ON BLACK SURFACE
- ALLOW EASY ACCESS



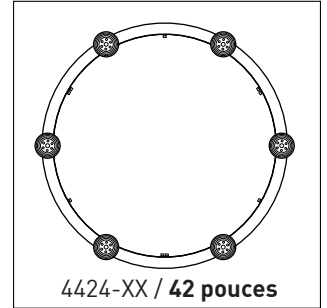
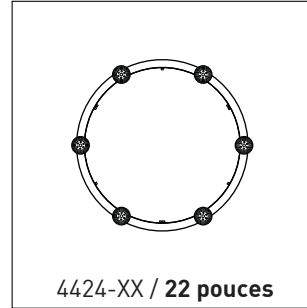
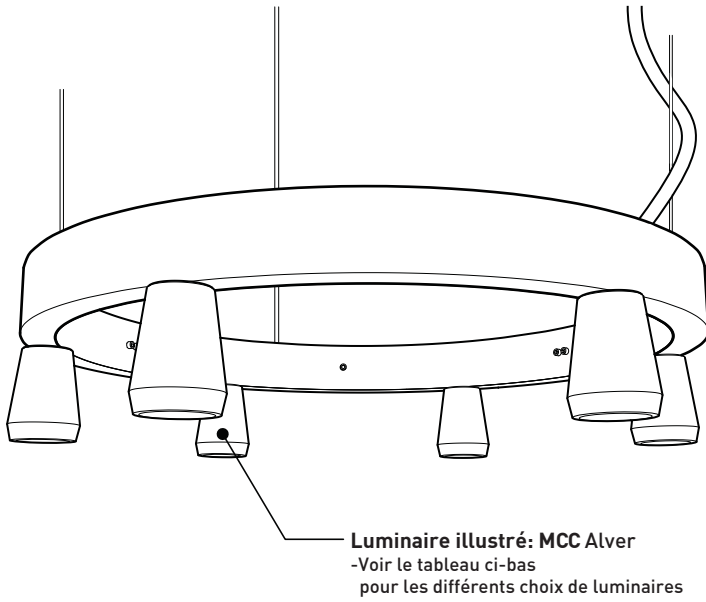
| FITTURE | CODE | Ø 22 | Ø 42 | LIGHT SOURCE | | | MAX. WATTAGE | | | | | | | | | | |
|--------------|--------------|------|------|--------------|-----|-----|------------------|---|-----|-----|-----|------|------|------|------|------|------|
| | | | | LED | HAL | INC | LED | | | HAL | | | INC | | | | |
| | | | | | | | 3 | 6 | 9 | 3 | 6 | 9 | 3 | 6 | 9 | | |
| ALVER | MCC | 6 | 6-9 | X | | X | Always available | X | 12W | 24W | 36W | | | | 180W | 360W | 540W |
| SPROKET | CFD | 6 | 6-9 | X | X | | | X | 12W | 24W | 36W | 150W | 300W | 450W | | | |
| SLIM STACK | SLS | 6 | 6-9 | X | X | X | | | 12W | 24W | 36W | 150W | 300W | 450W | 150W | 300W | 450W |
| STUBBY STACK | STS | 6 | 6-9 | X | X | X | | | 12W | 24W | 36W | 150W | 300W | 450W | 150W | 300W | 450W |
| SILENE | JDJ/JDJA/JMJ | 6 | 6-9 | X | X | X | | X | 12W | 24W | 36W | 150W | 300W | 450W | 300W | 600W | 900W |
| GALLERY | NAH | 6 | 6-9 | | X | X | | | | | | 150W | 300W | 450W | 300W | 600W | 900W |
| SHAKER | QFI | 6 | 6-9 | X | | X | | | 12W | 24W | 36W | | | | 180W | 360W | 540W |
| KISIS | NFM | NA | 6 | X | | X | | | 24W | 48W | 72W | | | | 300W | 600W | 900W |



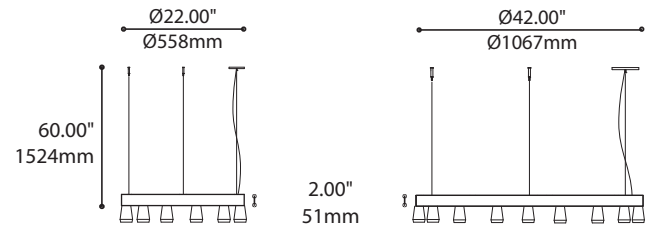
225 de Liège Ouest, Suite #200
Montréal (QC), Canada H2P 1H4
Tel : 514.385.3515 Fax : 514.385.4169
www.eurekalighting.com



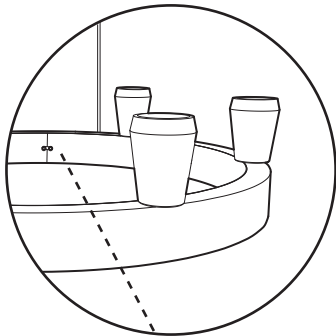
4424



Formats disponibles



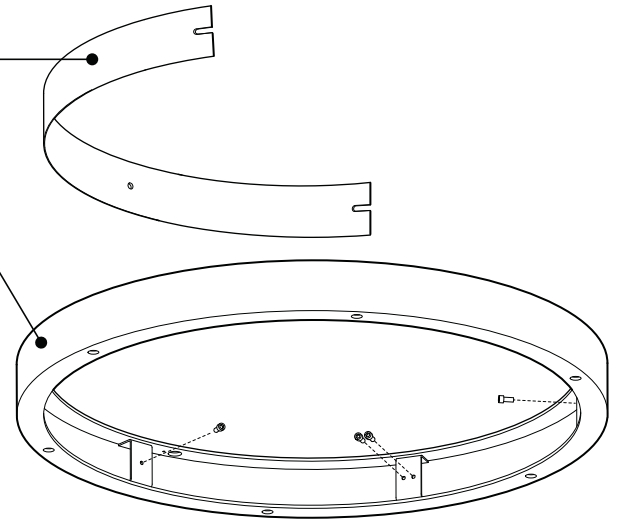
OFFERT EN ILLUMINATION DIRECTE ET INDIRECTE



COUVERCLE INTÉRIEUR
Composé de 3 couvercles d'acier recouvert de peinture en poudre de polyester noir mat

ANNEAU EXTÉRIEUR
Anneau en aluminium extrudé, cintré et poli
Recouvert de peinture en poudre de polyester noir mat

VIS DISCRÈTE DE COULEUR NOIRE SUR SURFACE NOIRE



| LUMINAIRES | CODE | Ø 22 | Ø 42 | SOURCE LUMINEUSE | | | WATT MAX. | | | | | | | | | | |
|--------------|--------------|------|------|------------------|-----|-----|---------------------|---|-----|-----|-----|------|------|------|------|------|------|
| | | | | DEL | HAL | INC | DEL | | | HAL | | | INC | | | | |
| | | | | | | | 3 | 6 | 9 | 3 | 6 | 9 | 3 | 6 | 9 | | |
| ALVER | MCC | 6 | 6-9 | X | | X | Toujours disponible | X | 12W | 24W | 36W | | | | 180W | 360W | 540W |
| SPROKET | CFD | 6 | 6-9 | X | X | | | X | 12W | 24W | 36W | 150W | 300W | 450W | | | |
| SLIM STACK | SLS | 6 | 6-9 | X | X | X | | | 12W | 24W | 36W | 150W | 300W | 450W | 150W | 300W | 450W |
| STUBBY STACK | STS | 6 | 6-9 | X | X | X | | | 12W | 24W | 36W | 150W | 300W | 450W | 150W | 300W | 450W |
| SILENE | JDJ/JDJA/JMJ | 6 | 6-9 | X | X | X | | X | 12W | 24W | 36W | 150W | 300W | 450W | 300W | 600W | 900W |
| GALLERY | NAH | 6 | 6-9 | | X | X | | | | | | 150W | 300W | 450W | 300W | 600W | 900W |
| SHAKER | QFI | 6 | 6-9 | X | | X | | | 12W | 24W | 36W | | | | 180W | 360W | 540W |
| KISIS | NFM | NA | 6 | X | | X | | | 24W | 48W | 72W | | | | 300W | 600W | 900W |



225 de Liège Ouest, Suite #200
Montréal (QC), Canada H2P 1H4
Tel : 514.385.3515 Fax : 514.385.4169
www.eurekalighting.com



4424