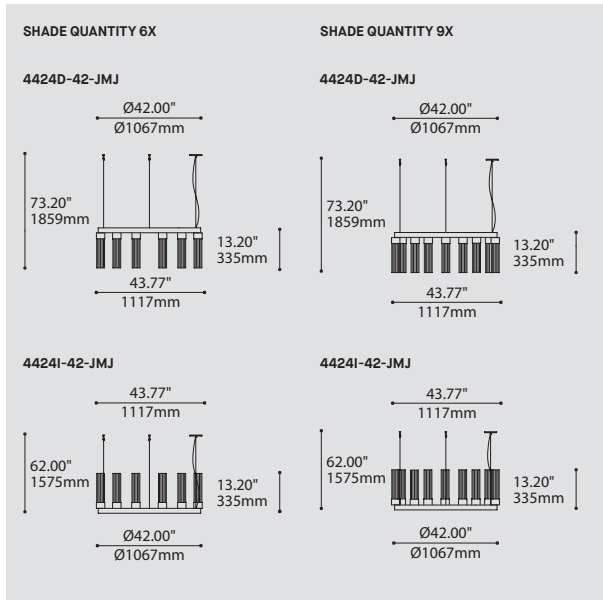


# RING 4424-42-JMJ

PROJECT PROJÉT
SPEC TYPE
NOTES



ORDERING SPECIFICATION	SPÉCIFICATION DE COMMANDE	CODE
<b>MODEL</b> MODÈLE		
<b>4424D-42-JMJ</b>	RING SILENE CLASSIC 42" DIRECT	
<b>4424I-42-JMJ</b>	RING SILENE CLASSIC 42" INDIRECT	
<b>SHADE QUANTITY</b> QUANTITÉ D'ABAT-JOUR		
6 OR 9 SHADES ON 42" RING		
<b>6</b>	6 X SHADES	
<b>9</b>	9 X SHADES	
<b>LIGHT SOURCE</b> SOURCE LUMINEUSE		
(WATTAGE, LAMP TYPE, LAMP FORM, BASE TYPE, OTHER INFO)		
<b>BIPIN.50</b>	50W, HAL, BIPIN, GY6.35 BASE	
<b>INC.100</b>	100W, INC, HAL T10, MEDIUM BASE (120V ONLY)	
<b>LED.4</b>	4W, LED	
<b>COLOR TEMPERATURE</b> TEMPÉRATURE DE COULEUR		
FOR LED ONLY		
<b>30</b>	3000K	
<b>35</b>	3500K	
<b>40</b>	4000K	
<b>VOLTAGE</b> VOLTAGE		
<b>120V</b>	120 VOLT	
<b>277V</b>	277 VOLT	
<b>DIMMING OPTION</b> OPTION DE GRADATION		
FOR LED ONLY		
<b>DV</b>	0-10V DIMMING (120-277V)	
<b>DP</b>	PHASE DIMMING (120V ONLY)	
LED DIMMING DRIVER IS STANDARD IN THIS PRODUCT. PLEASE SPECIFY YOUR DIMMING TYPE.		
<b>CABLE</b> CABLE		<b>AC</b>
<b>AC</b>	AIRCRAFT MOUNTING & CLEAR CABLE, FIELD ADJUSTABLE	
<b>CABLE LENGTH</b> LONGUEUR DE CABLE		
<b>60</b>	60" AIRCRAFT CABLE (STD LENGTH)	
<b>**</b>	CUSTOM AIRCRAFT CABLE LENGTH (PLEASE SPECIFY)	
FOR OVERALL LENGTH PLEASE CONTACT YOUR EUREKA REPRESENTATIVE.		
<b>MOUNTING</b> MONTAGE		<b>RC</b>
<b>RC</b>	ROUND CANOPY / PAVILLON ROND FOR INC, HAL: 1.00" CANOPY (2401E) FOR LED: 1.75" CANOPY (2405H)	
<b>CANOPY FINISH</b> FINI PAVILLON		
<b>WHE*</b>	WHITE FINE TEXTURE *IF NO FINISH IS SELECTED, CANOPY WILL BE CHROME	
<b>STRUCTURE FINISH</b> FINI STRUCTURE		<b>BLK</b>
<b>BLK</b>	BLACK	
<b>DIFFUSER FINISH</b> FINI DIFFUSEUR		<b>CLR</b>
<b>(CUP HOLDER CHROME)</b>		
<b>CLR</b>	CLEAR	

## PRODUCT CHARACTERISTICS CARACTÉRISTIQUES DU PRODUIT

**BIM** **DIM** **IES** **LED**

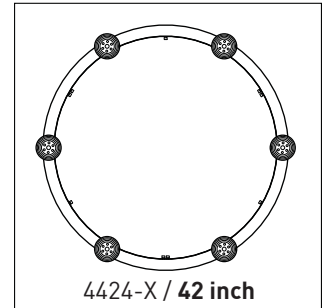
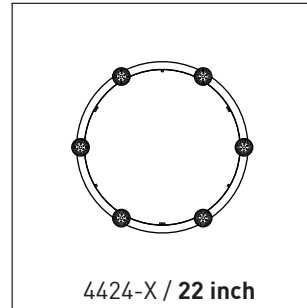
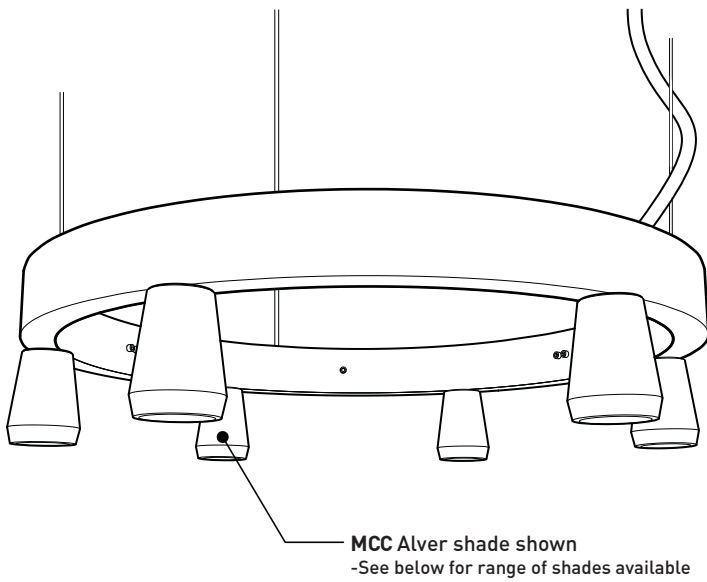
**DESIGN:** Fill larger spaces using our elegant, round chandelier platform. Elementary ring concept allows you to create a Ø42" circular arrangement of selected fixtures.

**INSTALLATION:** Mounts with three suspension points on the ceiling and fixtures come pre-assembled to ring structure. Glass shade installation is required.

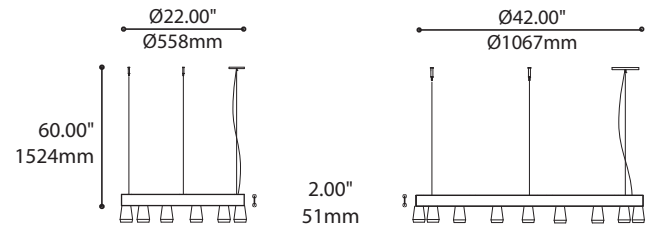
**LIGHT SOURCE:** LED, halogen and incandescent light sources can be specified in both direct or indirect orientations and dimming is available.

**STRUCTURE:** Rolled extruded aluminum ring and steel cover plates are coated in black polyester powder finish.

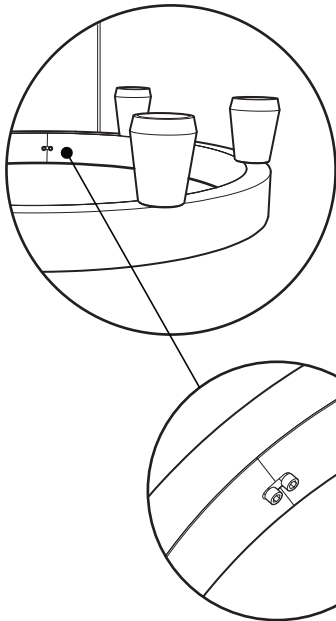
**CERTIFIED:** c-CSA-us



### RING SIZE OPTIONS



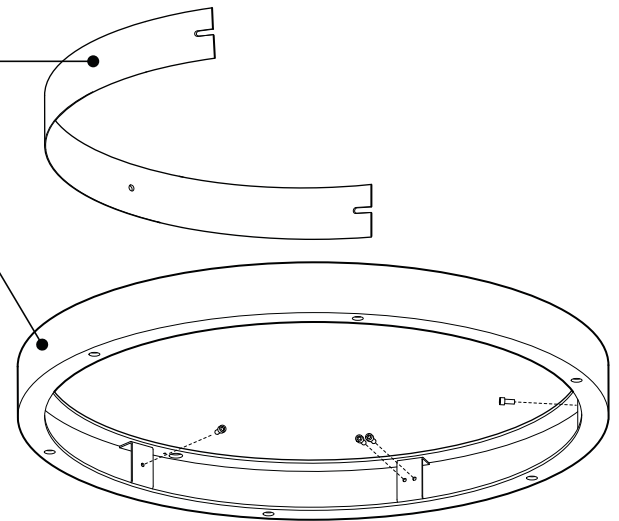
### ALSO AVAILABLE IN INDIRECT ILLUMINATION



**INSIDE COVER**  
3 Rolled Steel cover plates coated in matte black polyester powder

**SEAMLESS OUTER RING**  
Extruded aluminum ring rolled, welded and Buffed  
- Coated in black polyester powder

**DISCREET BLACK SCREW ON BLACK SURFACE**  
- ALLOW EASY ACCESS



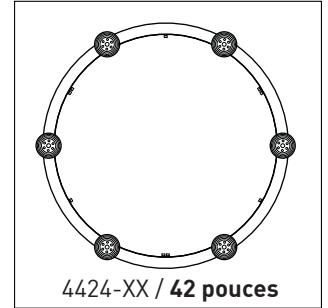
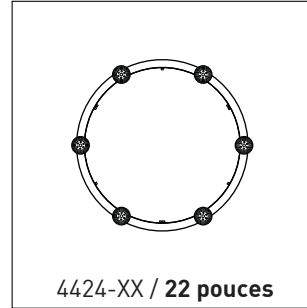
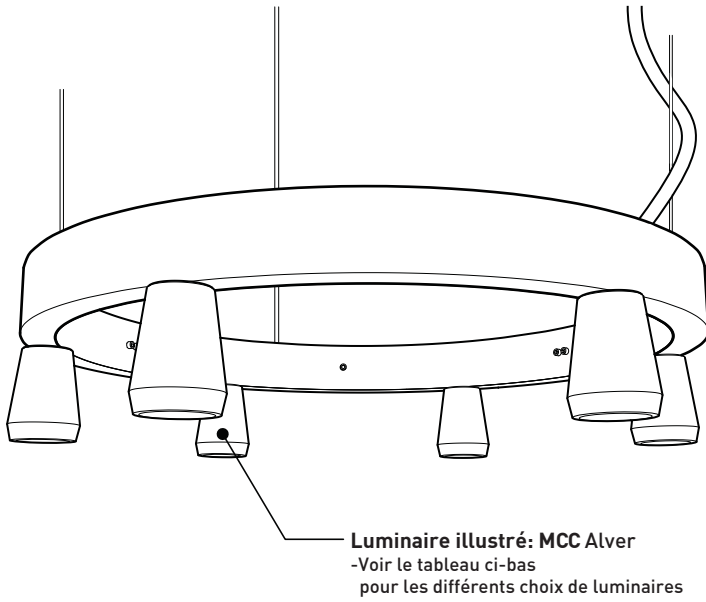
FITTURE	CODE	Ø 22	Ø 42	LIGHT SOURCE			MAX. WATTAGE										
				LED	HAL	INC	LED			HAL			INC				
							DIRECT	INDIRECT	3	6	9	3	6	9	3	6	9
ALVER	MCC	6	6-9	X		X		X	12W	24W	36W				180W	360W	540W
SPROKET	CFD	6	6-9	X	X			X	12W	24W	36W	150W	300W	450W			
SLIM STACK	SLS	6	6-9	X	X	X			12W	24W	36W	150W	300W	450W	150W	300W	450W
STUBBY STACK	STS	6	6-9	X	X	X			12W	24W	36W	150W	300W	450W	150W	300W	450W
SILENE	JDJ/JDJA/JMJ	6	6-9	X	X	X		X	12W	24W	36W	150W	300W	450W	300W	600W	900W
GALLERY	NAH	6	6-9		X	X						150W	300W	450W	300W	600W	900W
SHAKER	QFI	6	6-9	X		X			12W	24W	36W				180W	360W	540W
KISIS	NFM	NA	6	X		X			24W	48W	72W				300W	600W	900W



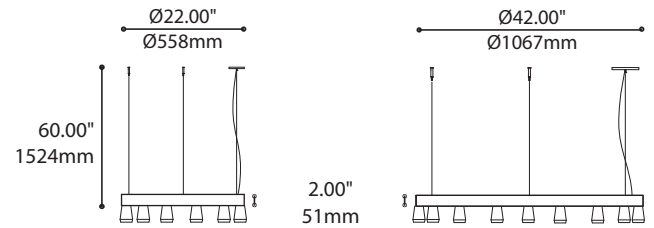
225 de Liège Ouest, Suite #200  
Montréal (QC), Canada H2P 1H4  
Tel : 514.385.3515 Fax : 514.385.4169  
[www.eurekalighting.com](http://www.eurekalighting.com)



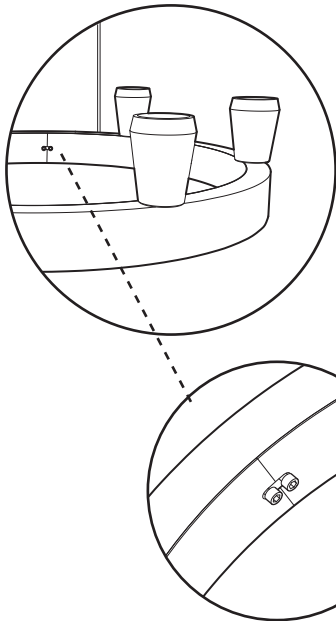
4424



### Formats disponibles



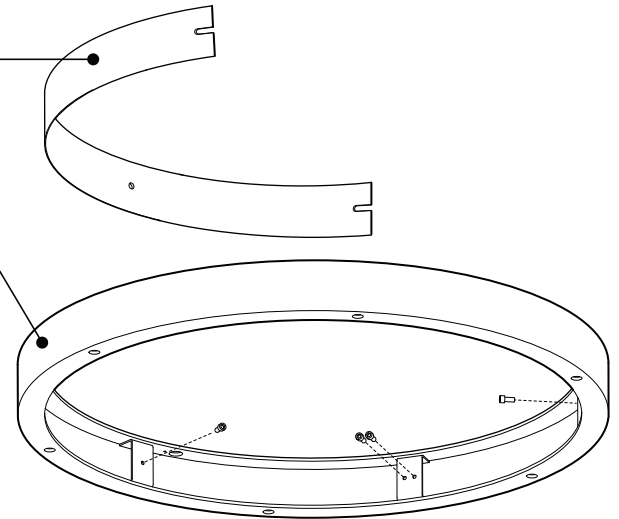
### OFFERT EN ILLUMINATION DIRECTE ET INDIRECTE



**COUVERCLE INTÉRIEUR**  
Composé de 3 couvercles d'acier recouvert de peinture en poudre de polyester noir mat

**ANNEAU EXTÉRIEUR**  
Anneau en aluminium extrudé, cintré et poli  
Recouvert de peinture en poudre de polyester noir mat

**VIS DISCRÈTE DE COULEUR NOIRE SUR SURFACE NOIRE**



LUMINAIRES	CODE	Ø 22	Ø 42	SOURCE LUMINEUSE			WATT MAX.										
				DEL	HAL	INC	DEL			HAL			INC				
							3	6	9	3	6	9	3	6	9		
ALVER	MCC	6	6-9	X		X	Toujours disponible	X	12W	24W	36W				180W	360W	540W
SPROKET	CFD	6	6-9	X	X			X	12W	24W	36W	150W	300W	450W			
SLIM STACK	SLS	6	6-9	X	X	X			12W	24W	36W	150W	300W	450W	150W	300W	450W
STUBBY STACK	STS	6	6-9	X	X	X			12W	24W	36W	150W	300W	450W	150W	300W	450W
SILENE	JDJ/JDJA/JMJ	6	6-9	X	X	X		X	12W	24W	36W	150W	300W	450W	300W	600W	900W
GALLERY	NAH	6	6-9		X	X						150W	300W	450W	300W	600W	900W
SHAKER	QFI	6	6-9	X		X			12W	24W	36W				180W	360W	540W
KISIS	NFM	NA	6	X		X			24W	48W	72W				300W	600W	900W



225 de Liège Ouest, Suite #200  
Montréal (QC), Canada H2P 1H4  
Tel : 514.385.3515 Fax : 514.385.4169  
[www.eurekalighting.com](http://www.eurekalighting.com)



4424