

RING 4424-42-JDJ / JDJA

PROJECT PROJET

SPEC TYPE

NOTES

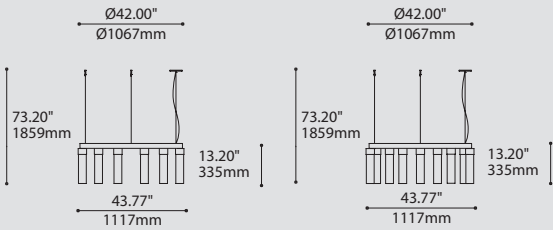


SHADE QUANTITY 6X

SHADE QUANTITY 9X

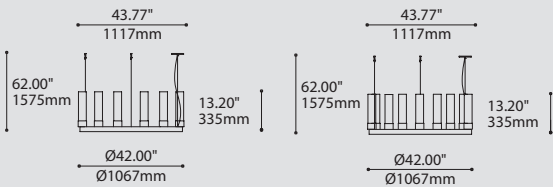
4424D-42-JDJ / JDJA

4424D-42-JDJ / JDJA



4424I-42-JDJ / JDJA

4424I-42-JDJ / JDJA



ORDERING SPECIFICATION SPÉCIFICATION DE COMMANDE

CODE

MODEL MODÈLE

4424D-42-JDJ RING SILENE CLASSIC 42" DIRECT
 4424I-42-JDJ RING SILENE CLASSIC 42" INDIRECT
 4424D-42-JDJA RING SILENE CLASSIC 42" DIRECT (CLOSED ACRYLIC DIFFUSER)
 4424I-42-JDJA RING SILENE CLASSIC 42" INDIRECT (CLOSED ACRYLIC DIFFUSER)

SHADE QUANTITY QUANTITÉ D'ABAT-JOUR

6 OR 9 SHADES ON 42" RING
 6 6 X SHADES
 9 9 X SHADES

LIGHT SOURCE SOURCE LUMINEUSE

(WATTAGE, LAMP TYPE, LAMP FORM, BASE TYPE, OTHER INFO)

JDJ

BIPIN.50 50W, HAL, BIPIN, GY6.35 BASE
 INC.100 100W, INC, HAL T10, MEDIUM BASE (120V ONLY)
 LED.4 4W, LED

JDJA

LED.4 4W, LED

COLOR TEMPERATURE TEMPÉRATURE DE COULEUR

FOR LED ONLY

30 3000K
 35 3500K
 40 4000K

VOLTAGE VOLTAGE

120V 120 VOLT
 277V 277 VOLT

DIMMING OPTION OPTION DE GRADATION

FOR LED ONLY

DV 0-10V DIMMING (120-277V)
 DP PHASE DIMMING (120V ONLY)
 LED DIMMING DRIVER IS STANDARD IN THIS PRODUCT. PLEASE SPECIFY YOUR DIMMING TYPE.

CABLE CABLE

AC AIRCRAFT MOUNTING & CLEAR CABLE, FIELD ADJUSTABLE

CABLE LENGTH LONGUEUR DE CABLE

60 60" AIRCRAFT CABLE (STD LENGTH)
 ** CUSTOM AIRCRAFT CABLE LENGTH (PLEASE SPECIFY)
 FOR OVERALL LENGTH PLEASE CONTACT YOUR EUREKA REPRESENTATIVE.

MOUNTING MONTAGE

RC ROUND CANOPY / PAVILLON ROND
 FOR INC, HAL: 1.00" CANOPY (2401E)
 FOR LED: 1.75" CANOPY (2405H)

CANOPY FINISH FINI PAVILLON

WHE* WHITE FINE TEXTURE
 *IF NO FINISH IS SELECTED, CANOPY WILL BE CHROME

STRUCTURE FINISH FINI STRUCTURE

BLK BLACK

DIFFUSER FINISH FINI DIFFUSEUR

JDJ (CUP HOLDER CHROME)

WH WHITE
 FRO FROSTED

JDJA (CUP HOLDER CHROME)

WH WHITE

PRODUCT CHARACTERISTICS CARACTÉRISTIQUES DU PRODUIT

BIM **DIM** **IES** **LED**

DESIGN: Fill larger spaces using our elegant, round chandelier platform. Elementary ring concept allows you to create a 42" circular arrangement of selected fixtures.

INSTALLATION: Mounts with three suspension points on the ceiling and fixtures come pre-assembled to ring structure. Glass shade installation is required.

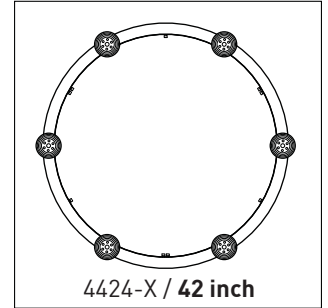
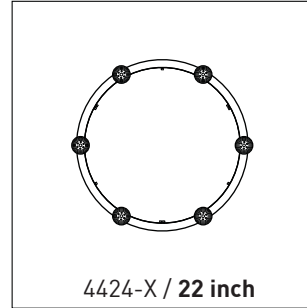
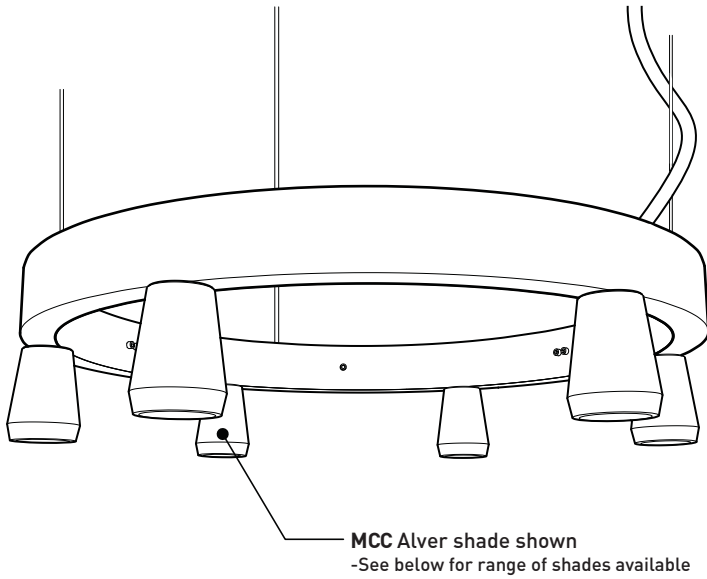
LIGHT SOURCE: LED, halogen and incandescent light sources can be specified in both direct or indirect orientations and dimming is available.

STRUCTURE: Rolled extruded aluminum ring and steel cover plates are coated in black polyester powder finish.

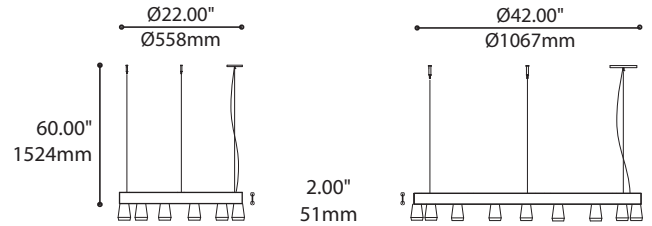
CERTIFIED: c-CSA-us



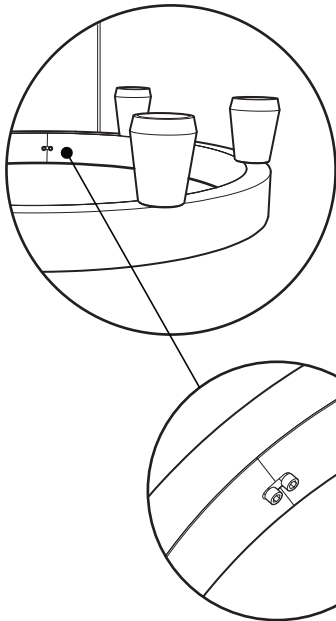
SPECIFICATION



RING SIZE OPTIONS



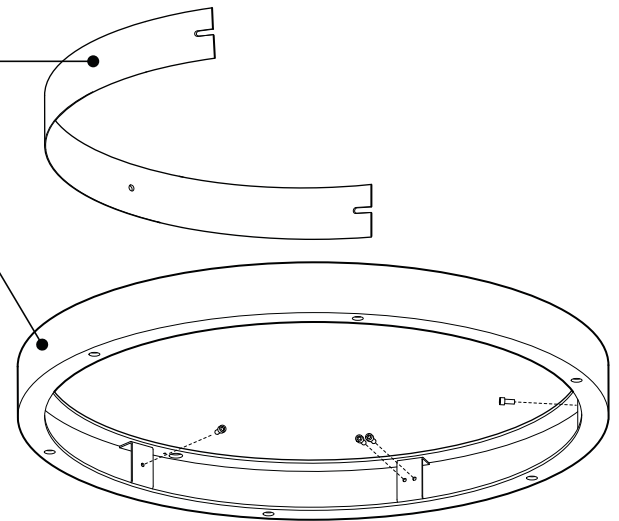
ALSO AVAILABLE IN INDIRECT ILLUMINATION



INSIDE COVER
3 Rolled Steel cover plates coated in matte black polyester powder

SEAMLESS OUTER RING
Extruded aluminum ring rolled, welded and Buffed
- Coated in black polyester powder

DISCREET BLACK SCREW ON BLACK SURFACE
- ALLOW EASY ACCESS



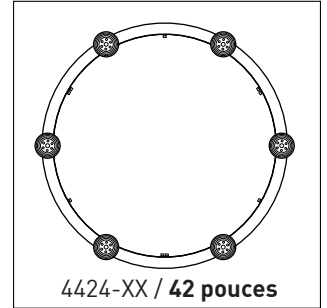
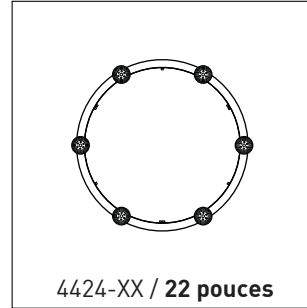
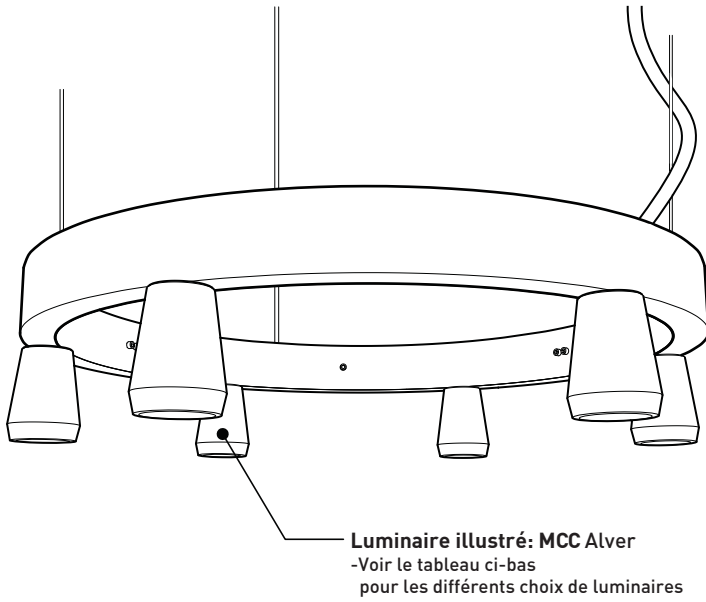
| FITTURE | CODE | Ø 22 | Ø 42 | LIGHT SOURCE | | | MAX. WATTAGE | | | | | | | | | | |
|--------------|--------------|------|------|--------------|-----|-----|--------------|----------|-----|-----|-----|------|------|------|------|------|------|
| | | | | LED | HAL | INC | LED | | | HAL | | | INC | | | | |
| | | | | | | | DIRECT | INDIRECT | 3 | 6 | 9 | 3 | 6 | 9 | 3 | 6 | 9 |
| ALVER | MCC | 6 | 6-9 | X | | X | | X | 12W | 24W | 36W | | | | 180W | 360W | 540W |
| SPROKET | CFD | 6 | 6-9 | X | X | | | X | 12W | 24W | 36W | 150W | 300W | 450W | | | |
| SLIM STACK | SLS | 6 | 6-9 | X | X | X | | | 12W | 24W | 36W | 150W | 300W | 450W | 150W | 300W | 450W |
| STUBBY STACK | STS | 6 | 6-9 | X | X | X | | | 12W | 24W | 36W | 150W | 300W | 450W | 150W | 300W | 450W |
| SILENE | JDJ/JDJA/JMJ | 6 | 6-9 | X | X | X | | X | 12W | 24W | 36W | 150W | 300W | 450W | 300W | 600W | 900W |
| GALLERY | NAH | 6 | 6-9 | | X | X | | | | | | 150W | 300W | 450W | 300W | 600W | 900W |
| SHAKER | QFI | 6 | 6-9 | X | | X | | | 12W | 24W | 36W | | | | 180W | 360W | 540W |
| KISIS | NFM | NA | 6 | X | | X | | | 24W | 48W | 72W | | | | 300W | 600W | 900W |



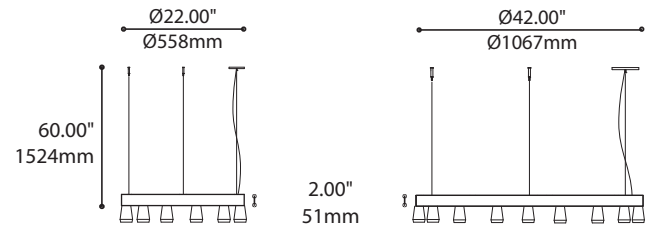
225 de Liège Ouest, Suite #200
Montréal (QC), Canada H2P 1H4
Tel : 514.385.3515 Fax : 514.385.4169
www.eurekalighting.com



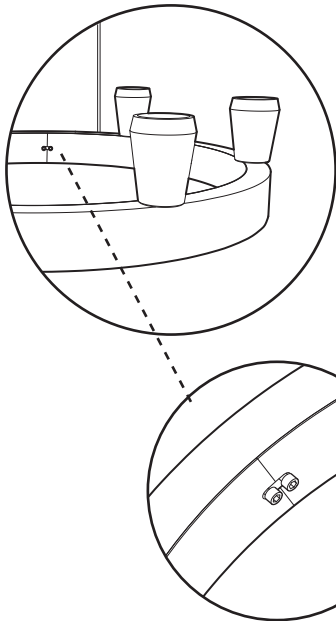
4424



Formats disponibles



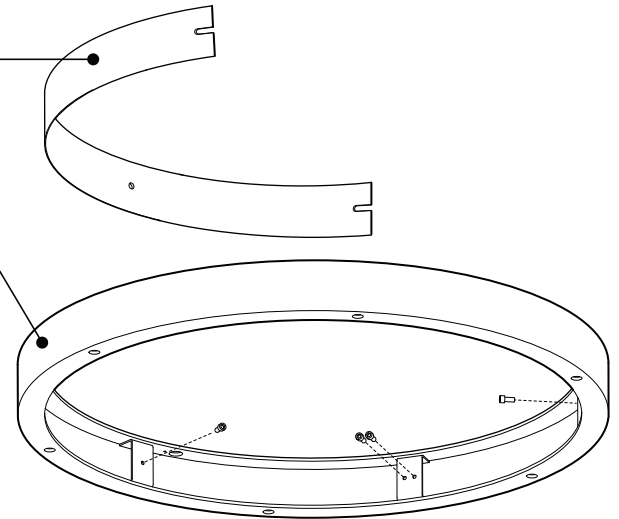
OFFERT EN ILLUMINATION DIRECTE ET INDIRECTE



COUVERCLE INTÉRIEUR
Composé de 3 couvercles d'acier recouvert de peinture en poudre de polyester noir mat

ANNEAU EXTÉRIEUR
Anneau en aluminium extrudé, cintré et poli
Recouvert de peinture en poudre de polyester noir mat

VIS DISCRÈTE DE COULEUR NOIRE SUR SURFACE NOIRE



| LUMINAIRES | CODE | Ø 22 | Ø 42 | SOURCE LUMINEUSE | | | WATT MAX. | | | | | | | | | | |
|--------------|--------------|------|------|------------------|-----|-----|---------------------|---|-----|-----|-----|------|------|------|------|------|------|
| | | | | DEL | HAL | INC | DEL | | | HAL | | | INC | | | | |
| | | | | | | | 3 | 6 | 9 | 3 | 6 | 9 | 3 | 6 | 9 | | |
| ALVER | MCC | 6 | 6-9 | X | | X | Toujours disponible | X | 12W | 24W | 36W | | | | 180W | 360W | 540W |
| SPROKET | CFD | 6 | 6-9 | X | X | | | X | 12W | 24W | 36W | 150W | 300W | 450W | | | |
| SLIM STACK | SLS | 6 | 6-9 | X | X | X | | | 12W | 24W | 36W | 150W | 300W | 450W | 150W | 300W | 450W |
| STUBBY STACK | STS | 6 | 6-9 | X | X | X | | | 12W | 24W | 36W | 150W | 300W | 450W | 150W | 300W | 450W |
| SILENE | JDJ/JDJA/JMJ | 6 | 6-9 | X | X | X | | X | 12W | 24W | 36W | 150W | 300W | 450W | 300W | 600W | 900W |
| GALLERY | NAH | 6 | 6-9 | | X | X | | | | | | 150W | 300W | 450W | 300W | 600W | 900W |
| SHAKER | QFI | 6 | 6-9 | X | | X | | | 12W | 24W | 36W | | | | 180W | 360W | 540W |
| KISIS | NFM | NA | 6 | X | | X | | | 24W | 48W | 72W | | | | 300W | 600W | 900W |



225 de Liège Ouest, Suite #200
Montréal (QC), Canada H2P 1H4
Tel : 514.385.3515 Fax : 514.385.4169
www.eurekalighting.com



4424