

# RING 4424-42-JDJ / JDJA

PROJECT PROJET

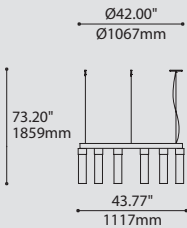
SPEC TYPE

NOTES



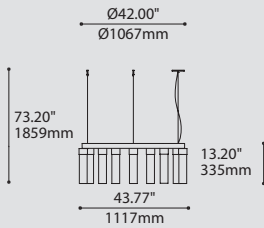
## SHADE QUANTITY 6X

4424D-42-JDJ / JDJA

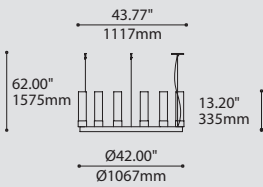


## SHADE QUANTITY 9X

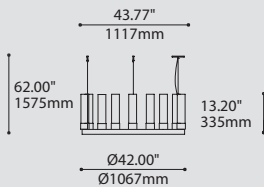
4424D-42-JDJ / JDJA



4424I-42-JDJ / JDJA



4424I-42-JDJ / JDJA



## ORDERING SPECIFICATION SPÉCIFICATION DE COMMANDE

CODE

### MODEL MODÈLE

**4424D-42-JDJ** RING SILENE CLASSIC 42" DIRECT  
**4424I-42-JDJ** RING SILENE CLASSIC 42" INDIRECT  
**4424D-42-JDJA** RING SILENE CLASSIC 42" DIRECT (CLOSED ACRYLIC DIFFUSER)  
**4424I-42-JDJA** RING SILENE CLASSIC 42" INDIRECT (CLOSED ACRYLIC DIFFUSER)

### SHADE QUANTITY QUANTITÉ D'ABAT-JOUR

6 OR 9 SHADES ON 42" RING  
**6** 6 X SHADES  
**9** 9 X SHADES

### LIGHT SOURCE SOURCE LUMINEUSE

(WATTAGE, LAMP TYPE, LAMP FORM, BASE TYPE, OTHER INFO)

**JDJ**  
**BIPIN.50** 50W, HAL, BIPIN, GY6.35 BASE  
**INC.100** 100W, INC, HAL T10, MEDIUM BASE (120V ONLY)  
**LED.4** 4W, LED

**JDJA**  
**LED.4** 4W, LED

### COLOR TEMPERATURE TEMPÉRATURE DE COULEUR

FOR LED ONLY  
**30** 3000K  
**35** 3500K  
**40** 4000K

### VOLTAGE VOLTAGE

**120V** 120 VOLT  
**277V** 277 VOLT

### DIMMING OPTION OPTION DE GRADATION

FOR LED ONLY  
**DV** 0-10V DIMMING (120-277V)  
**DP** PHASE DIMMING (120V ONLY)  
 LED DIMMING DRIVER IS STANDARD IN THIS PRODUCT. PLEASE SPECIFY YOUR DIMMING TYPE.

### CABLE CABLE

**AC** AIRCRAFT MOUNTING & CLEAR CABLE, FIELD ADJUSTABLE

### CABLE LENGTH LONGUEUR DE CABLE

**60** 60" AIRCRAFT CABLE (STD LENGTH)  
**\*\*** CUSTOM AIRCRAFT CABLE LENGTH (PLEASE SPECIFY)  
 FOR OVERALL LENGTH PLEASE CONTACT YOUR EUREKA REPRESENTATIVE.

### MOUNTING MONTAGE

**RC** ROUND CANOPY / PAVILLON ROND  
 FOR INC, HAL: 1.00" CANOPY (2401E)  
 FOR LED: 1.75" CANOPY (2405H)

### STRUCTURE FINISH FINI STRUCTURE

**BLK** BLACK

### CANOPY FINISH FINI PAVILLON

**WHE\*** WHITE FINE TEXTURE  
 \*IF NO FINISH IS SELECTED, CANOPY WILL BE CHROME

### DIFFUSER FINISH FINI DIFFUSEUR

#### JDJ (CUP HOLDER CHROME)

**WH** WHITE  
**FRO** FROSTED

#### JDJA (CUP HOLDER CHROME)

**WH** WHITE

## PRODUCT CHARACTERISTICS CARACTÉRISTIQUES DU PRODUIT

**BIM** **DIM** **IES** **LED**

**DESIGN:** Fill larger spaces using our elegant, round chandelier platform. Elementary ring concept allows you to create a 42" circular arrangement of selected fixtures.

**INSTALLATION:** Mounts with three suspension points on the ceiling and fixtures come pre-assembled to ring structure. Glass shade installation is required.

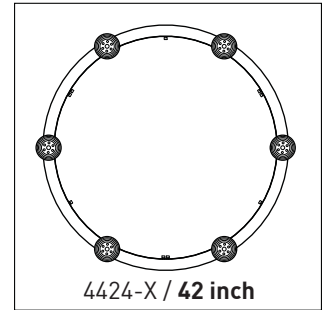
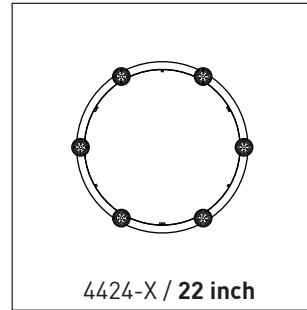
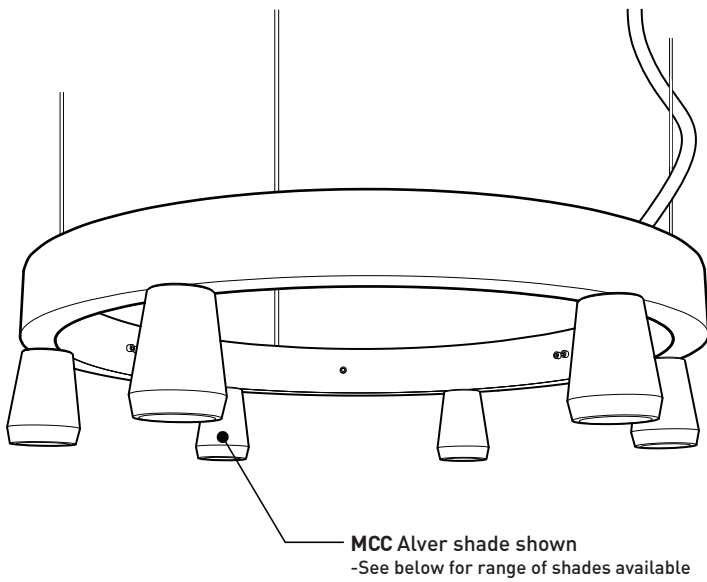
**LIGHT SOURCE:** LED, halogen and incandescent light sources can be specified in both direct or indirect orientations and dimming is available.

**STRUCTURE:** Rolled extruded aluminum ring and steel cover plates are coated in black polyester powder finish.

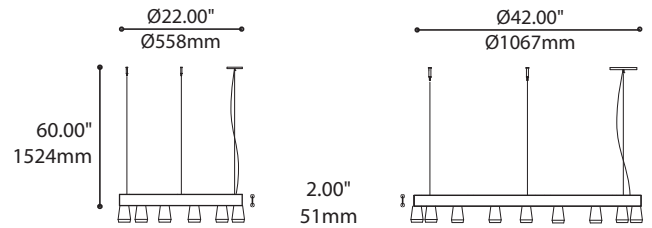
**CERTIFIED:** c-CSA-us



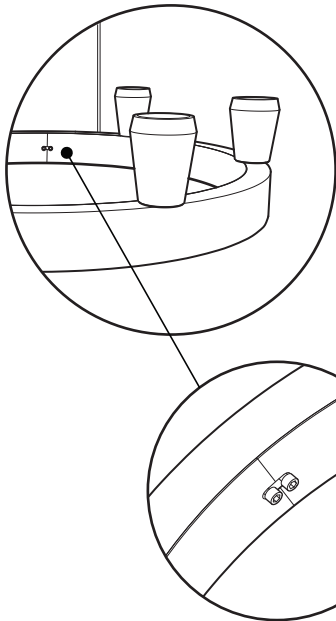
SPECIFICATION



### RING SIZE OPTIONS



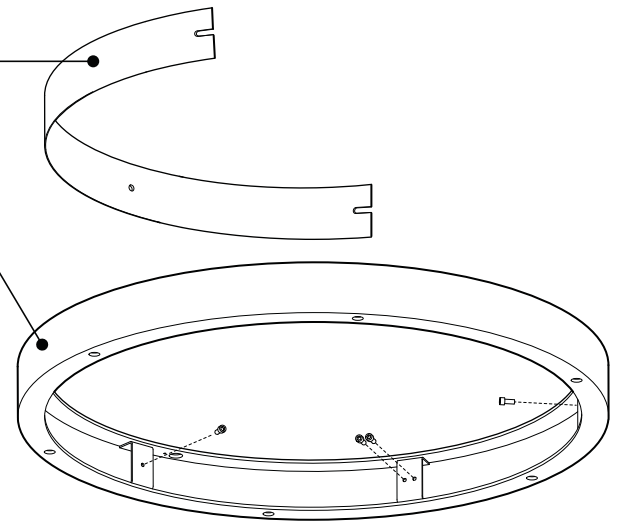
### ALSO AVAILABLE IN INDIRECT ILLUMINATION



**INSIDE COVER**  
3 Rolled Steel cover plates coated in matte black polyester powder

**SEAMLESS OUTER RING**  
Extruded aluminum ring rolled, welded and Buffed  
- Coated in black polyester powder

**DISCREET BLACK SCREW ON BLACK SURFACE**  
- ALLOW EASY ACCESS



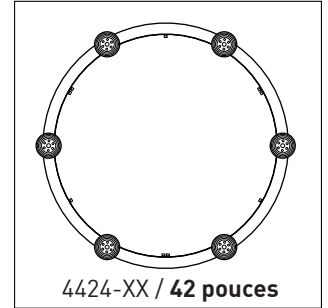
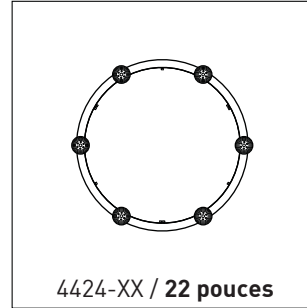
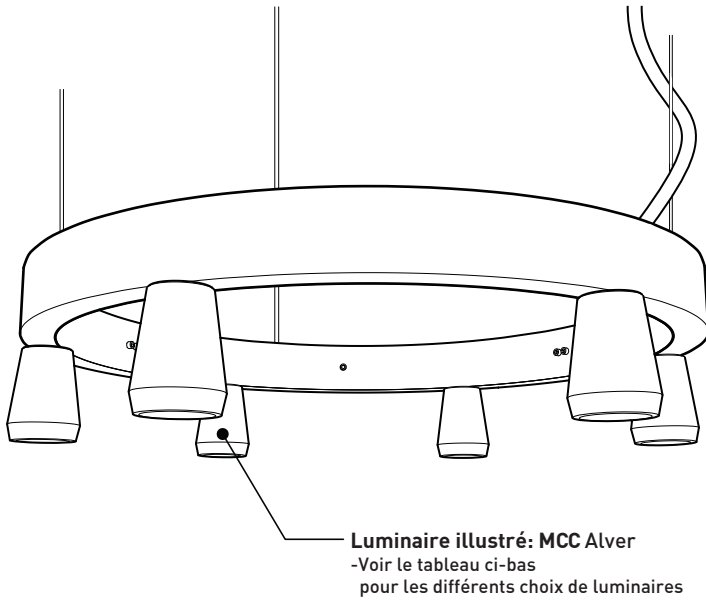
FITTURE	CODE	Ø 22	Ø 42	LIGHT SOURCE			MAX. WATTAGE										
				LED	HAL	INC	LED			HAL			INC				
							DIRECT	INDIRECT	3	6	9	3	6	9	3	6	9
ALVER	MCC	6	6-9	X		X		X	12W	24W	36W				180W	360W	540W
SPROKET	CFD	6	6-9	X	X			X	12W	24W	36W	150W	300W	450W			
SLIM STACK	SLS	6	6-9	X	X	X			12W	24W	36W	150W	300W	450W	150W	300W	450W
STUBBY STACK	STS	6	6-9	X	X	X			12W	24W	36W	150W	300W	450W	150W	300W	450W
SILENE	JDJ/JDJA/JMJ	6	6-9	X	X	X		X	12W	24W	36W	150W	300W	450W	300W	600W	900W
GALLERY	NAH	6	6-9		X	X						150W	300W	450W	300W	600W	900W
SHAKER	QFI	6	6-9	X		X			12W	24W	36W				180W	360W	540W
KISIS	NFM	NA	6	X		X			24W	48W	72W				300W	600W	900W



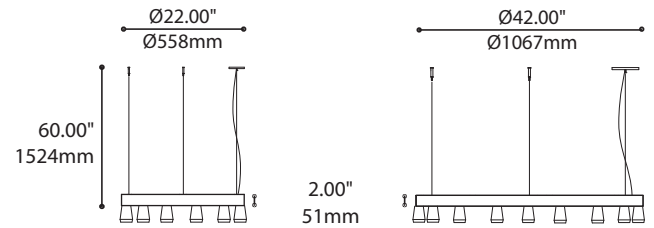
225 de Liège Ouest, Suite #200  
Montréal (QC), Canada H2P 1H4  
Tel : 514.385.3515 Fax : 514.385.4169  
[www.eurekalighting.com](http://www.eurekalighting.com)



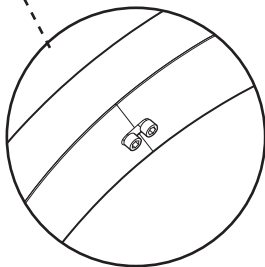
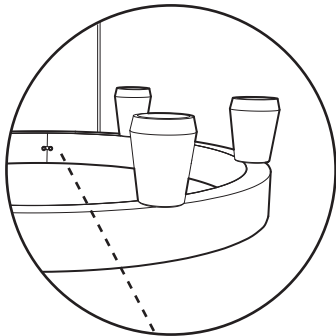
4424



### Formats disponibles



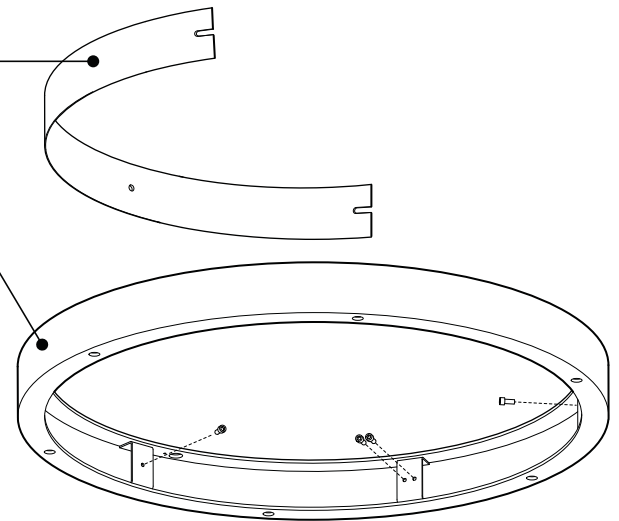
### OFFERT EN ILLUMINATION DIRECTE ET INDIRECTE



**COUVERCLE INTÉRIEUR**  
Composé de 3 couvercles d'acier recouvert de peinture en poudre de polyester noir mat

**ANNEAU EXTÉRIEUR**  
Anneau en aluminium extrudé, cintré et poli  
Recouvert de peinture en poudre de polyester noir mat

**VIS DISCRÈTE DE COULEUR NOIRE SUR SURFACE NOIRE**



LUMINAIRES	CODE	Ø 22	Ø 42	SOURCE LUMINEUSE			WATT MAX.										
				DEL	HAL	INC	DEL			HAL			INC				
							3	6	9	3	6	9	3	6	9		
ALVER	MCC	6	6-9	X		X	Toujours disponible	X	12W	24W	36W				180W	360W	540W
SPROKET	CFD	6	6-9	X	X			X	12W	24W	36W	150W	300W	450W			
SLIM STACK	SLS	6	6-9	X	X	X			12W	24W	36W	150W	300W	450W	150W	300W	450W
STUBBY STACK	STS	6	6-9	X	X	X			12W	24W	36W	150W	300W	450W	150W	300W	450W
SILENE	JDJ/JDJA/JMJ	6	6-9	X	X	X		X	12W	24W	36W	150W	300W	450W	300W	600W	900W
GALLERY	NAH	6	6-9		X	X						150W	300W	450W	300W	600W	900W
SHAKER	QFI	6	6-9	X		X			12W	24W	36W				180W	360W	540W
KISIS	NFM	NA	6	X		X			24W	48W	72W				300W	600W	900W



225 de Liège Ouest, Suite #200  
Montréal (QC), Canada H2P 1H4  
Tel : 514.385.3515 Fax : 514.385.4169  
[www.eurekalighting.com](http://www.eurekalighting.com)



4424