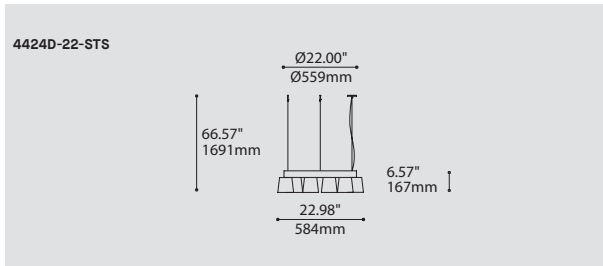
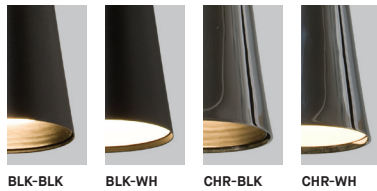


# RING 4424-22-ST5

PROJECT PROJÉT
SPEC TYPE
NOTES



## OPTIONS FOR SLS AND STS ONLY

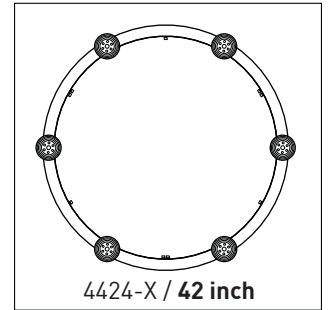
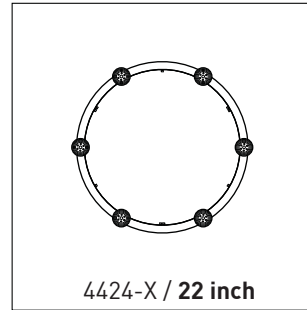
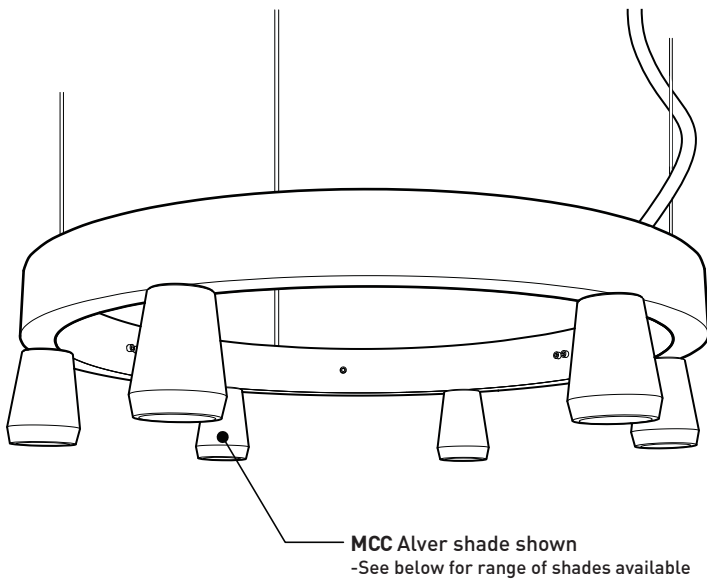


ORDERING SPECIFICATION	SPÉCIFICATION DE COMMANDE	CODE
<b>MODEL</b> MODÈLE		
<b>4424D-22-ST5</b>	RING STUBBY STACK 22" DIRECT	
<b>SHADE QUANTITY</b> QUANTITÉ D'ABAT-JOUR		<b>6</b>
6 SHADES ON 22" RING		
<b>6</b>	6 X SHADES	
<b>LIGHT SOURCE</b> SOURCE LUMINEUSE		
<small>(WATTAGE, LAMP TYPE, LAMP FORM, BASE TYPE, OTHER INFO)</small>		
<b>MR16C.50</b>	50W, HAL, MR16C, GU5.3 BASE	
<b>PAR20.50</b>	50W, INC, PAR20, MEDIUM BASE (120V ONLY)	
<b>LED.1</b>	1W, LED	
<b>LED.4</b>	4W, LED	
<b>COLOR TEMPERATURE</b> TEMPÉRATURE DE COULEUR		
<small>FOR LED ONLY</small>		
<b>30</b>	3000K	
<b>35</b>	3500K	
<b>40</b>	4000K	
<b>ANGLE BEAM</b> ANGLE DE DIFFUSION		
<small>FOR LED.4 MCC ONLY</small>		
<b>17</b>	17°	
<b>48</b>	48°	
<b>VOLTAGE</b> VOLTAGE		
<b>120V</b>	120 VOLT	
<b>277V</b>	277 VOLT	
<b>DIMMING OPTION</b> OPTION DE GRADATION		
<small>FOR LED ONLY</small>		
<b>DV</b>	0-10V DIMMING (120-277V)	
<b>DP</b>	PHASE DIMMING (120V ONLY)	
	<small>LED DIMMING DRIVER IS STANDARD IN THIS PRODUCT. PLEASE SPECIFY YOUR DIMMING TYPE.</small>	
<b>CABLE</b> CABLE		<b>AC</b>
<b>AC</b>	AIRCRAFT MOUNTING & CLEAR CABLE, FIELD ADJUSTABLE	
<b>CABLE LENGTH</b> LONGUEUR DE CABLE		
<b>60</b>	60" AIRCRAFT CABLE (STD LENGTH)	
<b>**</b>	CUSTOM AIRCRAFT CABLE LENGTH (PLEASE SPECIFY)	
	<small>FOR OVERALL LENGTH PLEASE CONTACT YOUR EUREKA REPRESENTATIVE.</small>	
<b>MOUNTING</b> MONTAGE		<b>RC</b>
<b>RC</b>	ROUND CANOPY / PAVILLON ROND FOR INC, HAL: 1.00" CANOPY (2401E) FOR LED: 1.75" CANOPY (2405H)	
<b>CANOPY FINISH</b> FINI PAVILLON		
<b>WHE*</b>	WHITE FINE TEXTURE <small>*IF NO FINISH IS SELECTED, CANOPY WILL BE CHROME</small>	
<b>STRUCTURE FINISH</b> FINI STRUCTURE		<b>BLK</b>
<b>BLK*</b>	BLACK <small>*CANOPY IS ALWAYS CHROME</small>	
<b>DIFFUSER FINISH</b> FINI DIFFUSEUR		
<b>BLK</b>	BLACK	
<b>CHR</b>	CHROME	
<b>BAFFLE FINISH</b> FINI DÉFLECTEUR		
<b>BLK</b>	BLACK	
<b>WH</b>	WHITE	

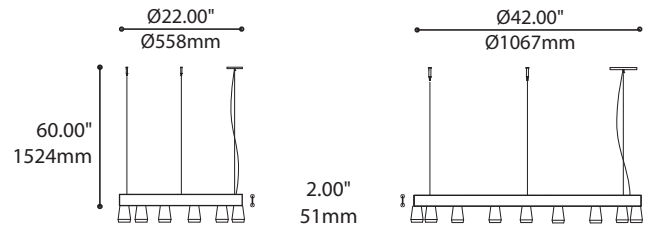
## PRODUCT CHARACTERISTICS CARACTÉRISTIQUES DU PRODUIT

**BIM** **DIM** **IES** **LED**

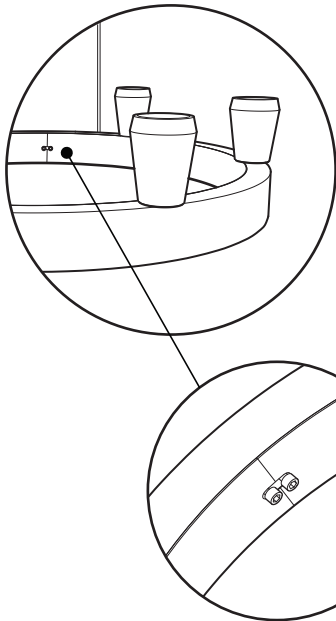
- DESIGN:** Fill larger spaces using our elegant, round chandelier platform. Ring allows you to create small Ø22" circular arrangements of selected fixtures.
- LIGHT SOURCE:** LED, halogen and incandescent light sources can be specified in both direct or indirect orientations and dimming is available.
- STRUCTURE:** Rolled extruded aluminum ring and steel cover plates are coated in black polyester powder finish.
- CERTIFIED:** c-CSA-us



### RING SIZE OPTIONS



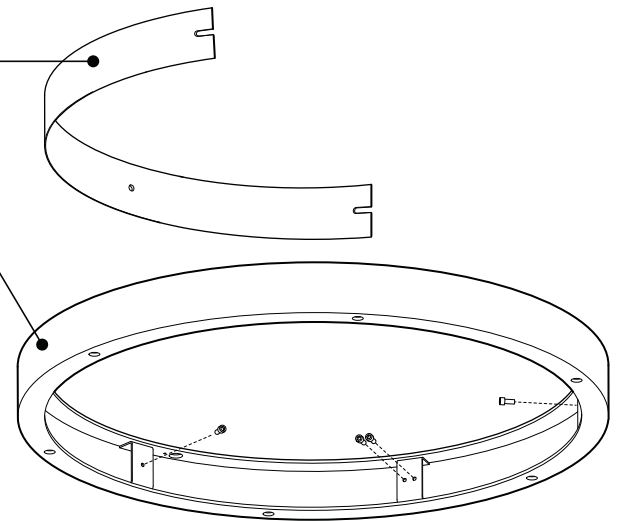
### ALSO AVAILABLE IN INDIRECT ILLUMINATION



**INSIDE COVER**  
3 Rolled Steel cover plates coated in matte black polyester powder

**SEAMLESS OUTER RING**  
Extruded aluminum ring rolled, welded and Buffed  
- Coated in black polyester powder

**DISCREET BLACK SCREW ON BLACK SURFACE**  
- ALLOW EASY ACCESS



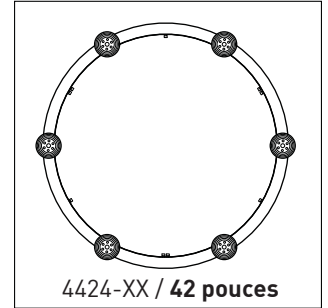
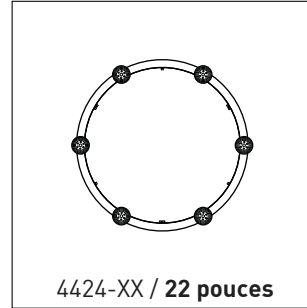
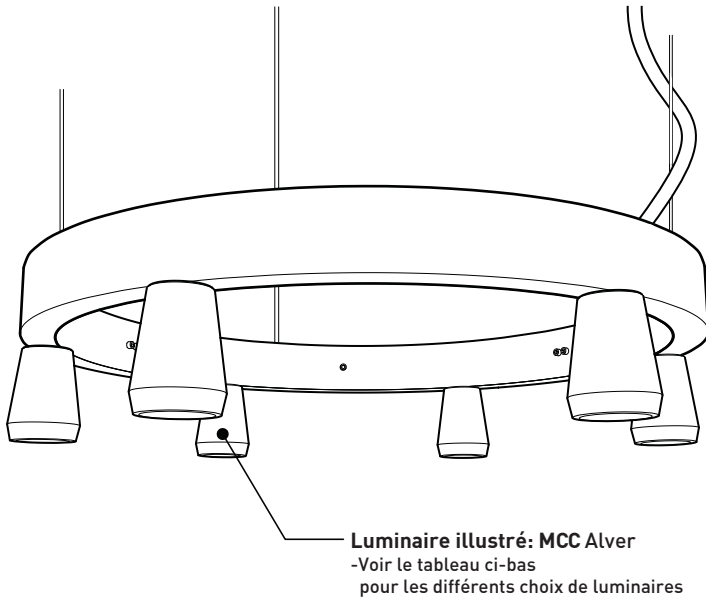
FITTURE	CODE	Ø 22	Ø 42	LIGHT SOURCE			MAX. WATTAGE										
				LED	HAL	INC	LED			HAL			INC				
							DIRECT	INDIRECT	3	6	9	3	6	9	3	6	9
ALVER	MCC	6	6-9	X		X		X	12W	24W	36W				180W	360W	540W
SPROKET	CFD	6	6-9	X	X			X	12W	24W	36W	150W	300W	450W			
SLIM STACK	SLS	6	6-9	X	X	X			12W	24W	36W	150W	300W	450W	150W	300W	450W
STUBBY STACK	STS	6	6-9	X	X	X			12W	24W	36W	150W	300W	450W	150W	300W	450W
SILENE	JDJ/JDJA/JMJ	6	6-9	X	X	X		X	12W	24W	36W	150W	300W	450W	300W	600W	900W
GALLERY	NAH	6	6-9		X	X						150W	300W	450W	300W	600W	900W
SHAKER	QFI	6	6-9	X		X			12W	24W	36W				180W	360W	540W
KISIS	NFM	NA	6	X		X			24W	48W	72W				300W	600W	900W



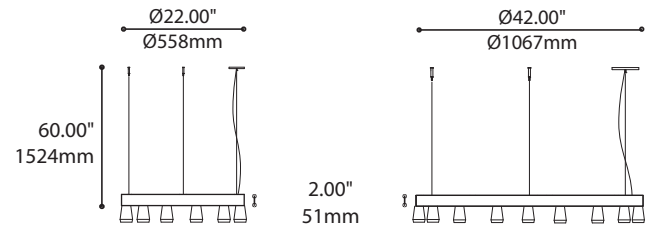
225 de Liège Ouest, Suite #200  
Montréal (QC), Canada H2P 1H4  
Tel : 514.385.3515 Fax : 514.385.4169  
[www.eurekalighting.com](http://www.eurekalighting.com)



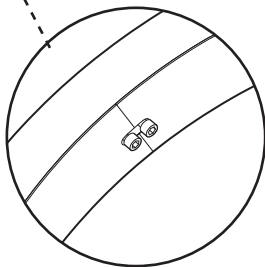
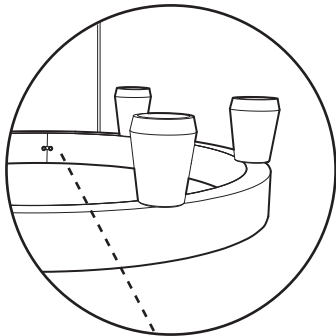
4424



### Formats disponibles



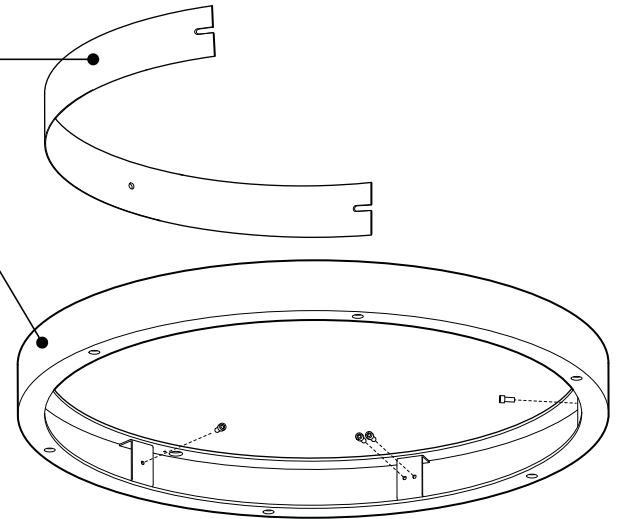
### OFFERT EN ILLUMINATION DIRECTE ET INDIRECTE



**COUVERCLE INTÉRIEUR**  
Composé de 3 couvercles d'acier recouvert de peinture en poudre de polyester noir mat

**ANNEAU EXTÉRIEUR**  
Anneau en aluminium extrudé, cintré et poli  
Recouvert de peinture en poudre de polyester noir mat

**VIS DISCRÈTE DE COULEUR NOIRE SUR SURFACE NOIRE**



LUMINAIRES	CODE	Ø 22	Ø 42	SOURCE LUMINEUSE			WATT MAX.										
				DEL	HAL	INC	DEL			HAL			INC				
							3	6	9	3	6	9	3	6	9		
ALVER	MCC	6	6-9	X		X	Toujours disponible	X	12W	24W	36W				180W	360W	540W
SPROKET	CFD	6	6-9	X	X			X	12W	24W	36W	150W	300W	450W			
SLIM STACK	SLS	6	6-9	X	X	X			12W	24W	36W	150W	300W	450W	150W	300W	450W
STUBBY STACK	STS	6	6-9	X	X	X			12W	24W	36W	150W	300W	450W	150W	300W	450W
SILENE	JDJ/JDJA/JMJ	6	6-9	X	X	X		X	12W	24W	36W	150W	300W	450W	300W	600W	900W
GALLERY	NAH	6	6-9		X	X						150W	300W	450W	300W	600W	900W
SHAKER	QFI	6	6-9	X		X			12W	24W	36W				180W	360W	540W
KISIS	NFM	NA	6	X		X			24W	48W	72W				300W	600W	900W



225 de Liège Ouest, Suite #200  
Montréal (QC), Canada H2P 1H4  
Tel : 514.385.3515 Fax : 514.385.4169  
[www.eurekalighting.com](http://www.eurekalighting.com)



4424