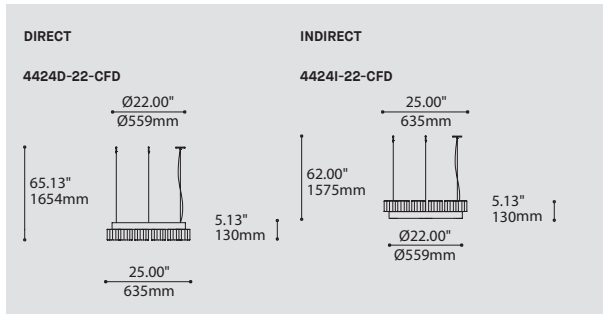


RING 4424-22-CFD

PROJECT PROJÉT
SPEC TYPE
NOTES



ORDERING SPECIFICATION SPÉCIFICATION DE COMMANDE

MODEL MODÈLE

4424D-22-CFD RING SPROCKET 22" DIRECT
4424I-22-CFD RING SPROCKET 22" INDIRECT

SHADE QUANTITY QUANTITÉ D'ABAT-JOUR

6 SHADES ON 22" RING
6 6 X SHADES

LIGHT SOURCE SOURCE LUMINEUSE

(WATTAGE, LAMP TYPE, LAMP FORM, BASE TYPE, OTHER INFO)
BIPIN.50 50W, HAL, BIPIN, GY6.35 BASE
LED.4 4W, LED

COLOR TEMPERATURE TEMPÉRATURE DE COULEUR

FOR LED ONLY
30 3000K
35 3500K
40 4000K

VOLTAGE VOLTAGE

120V 120 VOLT
277V 277 VOLT

DIMMING OPTION OPTION DE GRADATION

FOR LED ONLY
DV 0-10V DIMMING (120-277V)
DP PHASE DIMMING (120V ONLY)
LED DIMMING DRIVER IS STANDARD IN THIS PRODUCT, PLEASE SPECIFY YOUR DIMMING TYPE.

CABLE CABLE

AC AIRCRAFT MOUNTING & CLEAR CABLE, FIELD ADJUSTABLE

CABLE LENGTH LONGUEUR DE CABLE

60 60" AIRCRAFT CABLE (STD LENGTH)
** CUSTOM AIRCRAFT CABLE LENGTH (PLEASE SPECIFY)
FOR OVERALL LENGTH PLEASE CONTACT YOUR EUREKA REPRESENTATIVE.

MOUNTING MONTAGE

RC ROUND CANOPY / PAVILLON ROND
FOR INC, HAL: 1.00" CANOPY (2401E)
FOR LED: 1.75" CANOPY (2405H)

CANOPY FINISH FINI PAVILLON

WHE* WHITE FINE TEXTURE
*IF NO FINISH IS SELECTED, CANOPY WILL BE CHROME

STRUCTURE FINISH FINI STRUCTURE

BLK BLACK

DIFFUSER FINISH FINI DIFFUSEUR

CLR CLEAR

PRODUCT CHARACTERISTICS CARACTÉRISTIQUES DU PRODUIT

BIM **DIM** **IES** **LED**

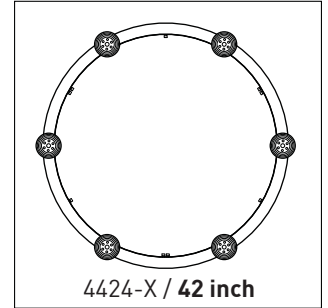
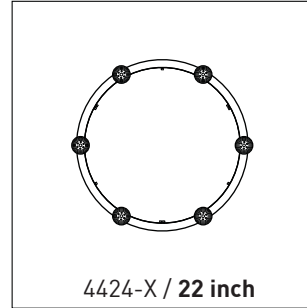
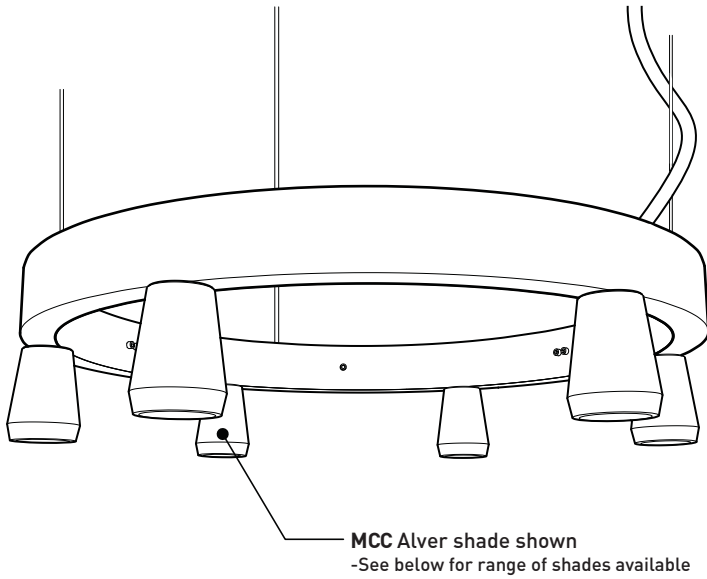
DESIGN: Fill larger spaces using our elegant, round chandelier platform. Ring allows you to create small Ø22" circular arrangements of selected fixtures.

INSTALLATION: Mounts with three suspension points on the ceiling and fixtures come pre-assembled to ring structure. Glass shade installation is required.

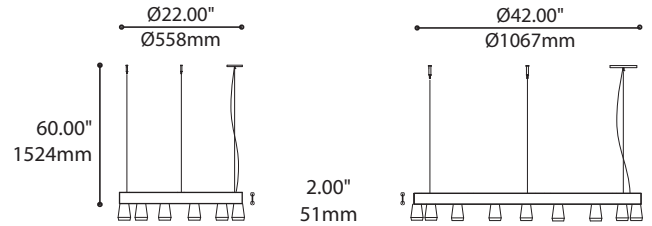
LIGHT SOURCE: LED, halogen and incandescent light sources can be specified in both direct or indirect orientations and dimming is available.

STRUCTURE: Rolled extruded aluminum ring and steel cover plates are coated in black polyester powder finish.

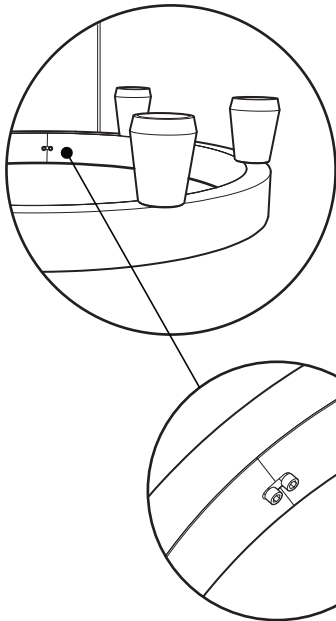
CERTIFIED: c-CSA-us



RING SIZE OPTIONS



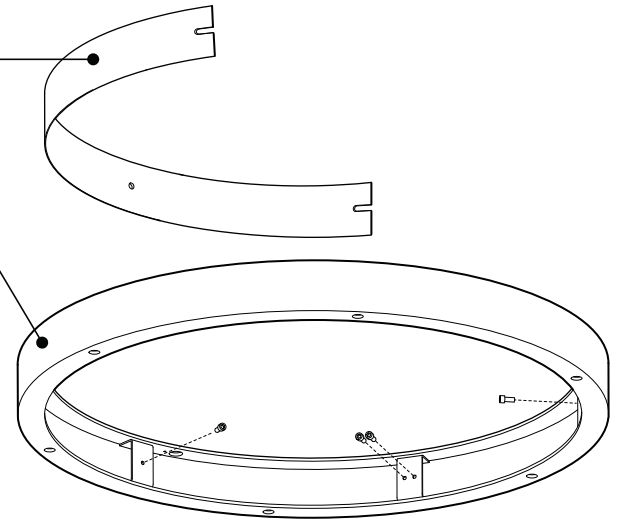
ALSO AVAILABLE IN INDIRECT ILLUMINATION



INSIDE COVER
3 Rolled Steel cover plates coated in matte black polyester powder

SEAMLESS OUTER RING
Extruded aluminum ring rolled, welded and Buffed
- Coated in black polyester powder

DISCREET BLACK SCREW ON BLACK SURFACE
- ALLOW EASY ACCESS



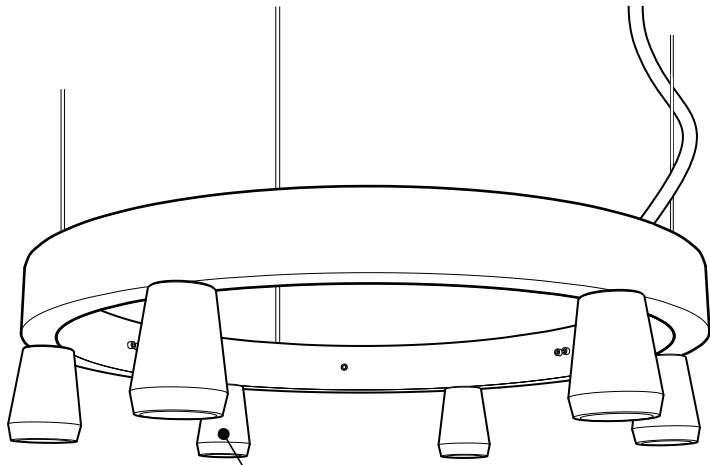
FITTURE	CODE	Ø 22	Ø 42	LIGHT SOURCE			MAX. WATTAGE										
				LED	HAL	INC	LED			HAL			INC				
							DIRECT	INDIRECT	3	6	9	3	6	9	3	6	9
ALVER	MCC	6	6-9	X		X		X	12W	24W	36W				180W	360W	540W
SPROKET	CFD	6	6-9	X	X			X	12W	24W	36W	150W	300W	450W			
SLIM STACK	SLS	6	6-9	X	X	X			12W	24W	36W	150W	300W	450W	150W	300W	450W
STUBBY STACK	STS	6	6-9	X	X	X			12W	24W	36W	150W	300W	450W	150W	300W	450W
SILENE	JDJ/JDJA/JMJ	6	6-9	X	X	X		X	12W	24W	36W	150W	300W	450W	300W	600W	900W
GALLERY	NAH	6	6-9		X	X						150W	300W	450W	300W	600W	900W
SHAKER	QFI	6	6-9	X		X			12W	24W	36W				180W	360W	540W
KISIS	NFM	NA	6	X		X			24W	48W	72W				300W	600W	900W



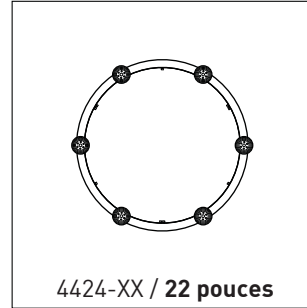
225 de Liège Ouest, Suite #200
Montréal (QC), Canada H2P 1H4
Tel : 514.385.3515 Fax : 514.385.4169
www.eurekalighting.com



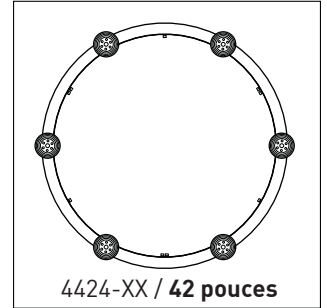
4424



Luminaire illustré: MCC Alver
-Voir le tableau ci-bas
pour les différents choix de luminaires

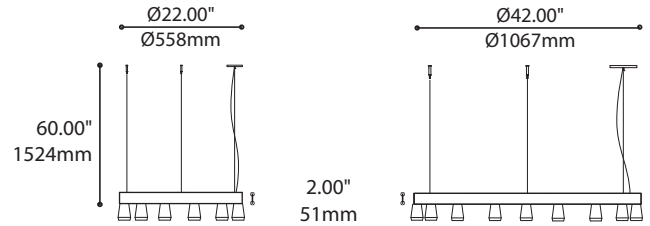


4424-XX / 22 pouces

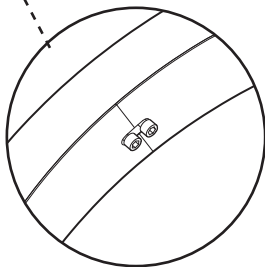
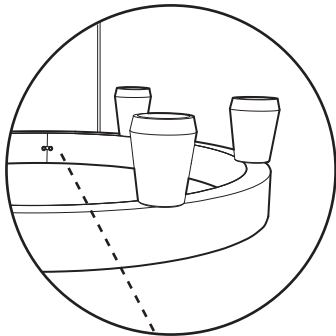


4424-XX / 42 pouces

Formats disponibles



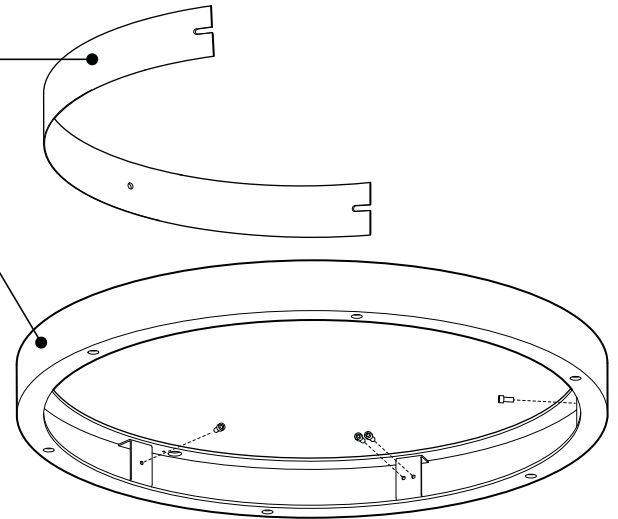
OFFERT EN ILLUMINATION DIRECTE ET INDIRECTE



COUVERCLE INTÉRIEUR
Composé de 3 couvercles d'acier recouvert de peinture en poudre de polyester noir mat

ANNEAU EXTÉRIEUR
Anneau en aluminium extrudé, cintré et poli
Recouvert de peinture en poudre de polyester noir mat

VIS DISCRÈTE DE COULEUR NOIRE SUR SURFACE NOIRE



LUMINAIRES	CODE	Ø 22	Ø 42	SOURCE LUMINEUSE			WATT MAX.										
				DEL	HAL	INC	DEL			HAL			INC				
							3	6	9	3	6	9	3	6	9		
ALVER	MCC	6	6-9	X		X	Toujours disponible	X	12W	24W	36W				180W	360W	540W
SPROKET	CFD	6	6-9	X	X			X	12W	24W	36W	150W	300W	450W			
SLIM STACK	SLS	6	6-9	X	X	X			12W	24W	36W	150W	300W	450W	150W	300W	450W
STUBBY STACK	STS	6	6-9	X	X	X			12W	24W	36W	150W	300W	450W	150W	300W	450W
SILENE	JDJ/JDJA/JMJ	6	6-9	X	X	X		X	12W	24W	36W	150W	300W	450W	300W	600W	900W
GALLERY	NAH	6	6-9		X	X						150W	300W	450W	300W	600W	900W
SHAKER	QFI	6	6-9	X		X			12W	24W	36W				180W	360W	540W
KISIS	NFM	NA	6	X		X			24W	48W	72W				300W	600W	900W



225 de Liège Ouest, Suite #200
Montréal (QC), Canada H2P 1H4
Tel : 514.385.3515 Fax : 514.385.4169
www.eurekalighting.com



4424