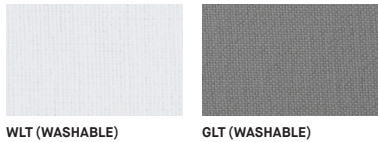


SQUARE SHADY 4411-GIC

PROJECT PROJÉT
SPEC TYPE
NOTES



OPTIONS



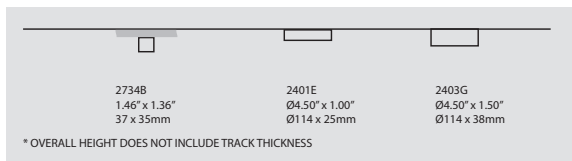
WLT (WASHABLE)

GLT (WASHABLE)

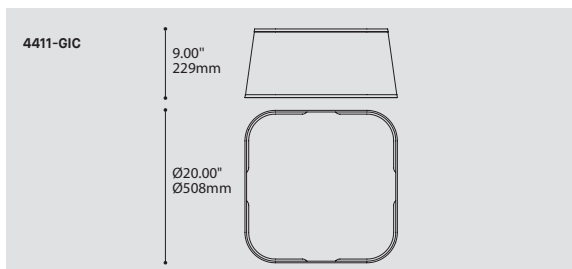
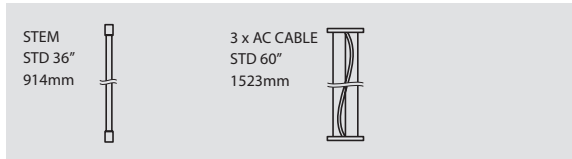
OVERALL HEIGHT HAUTEUR HORS TOUT

LIGHT SOURCE	TRACK 1 CIRCUIT	INC- CFL GU24-LED	LED
MOUNTING	2734B	2401E	2403G
CABLE	-	68.55"	69.05"
STEM	45.10"	44.75"	-

MOUNTING OPTIONS OPTIONS DE MONTAGE



STEM OR CABLE OPTIONS OPTIONS DE TIGE OU CABLE

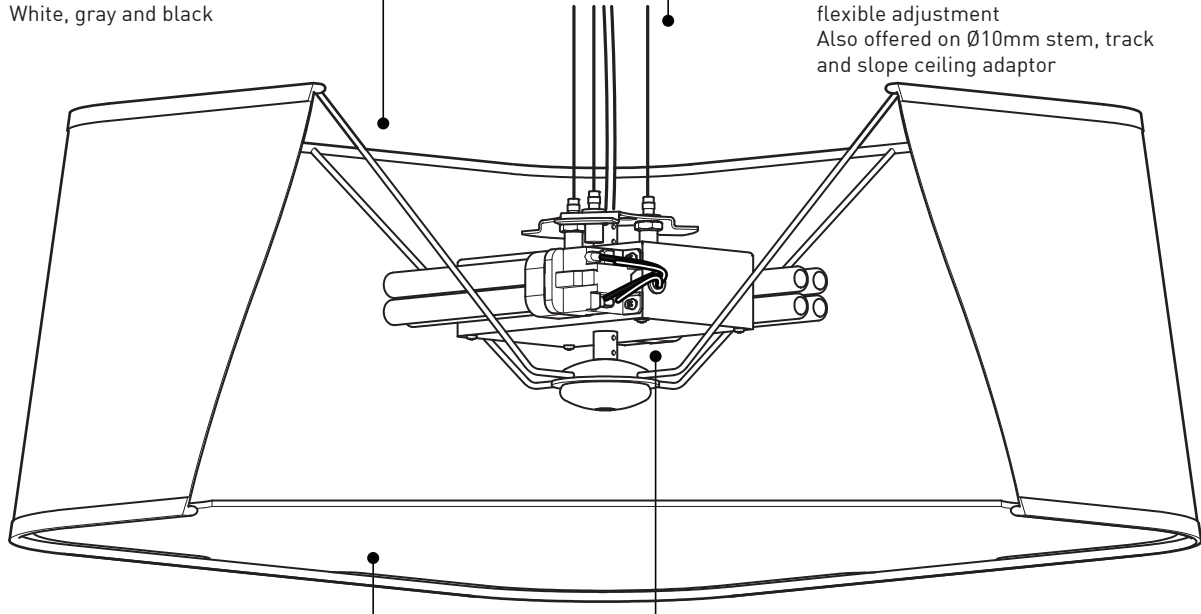


ORDERING SPECIFICATION SPÉCIFICATION DE COMMANDE

MODEL MODÈLE	4411-GIC	CODE
LIGHT SOURCE SOURCE LUMINEUSE		
(WATTAGE, LAMP TYPE, LAMP FORM, BASE TYPE, OTHER INFO)		
3XCF.SP.13	13W X 3, CFL, SPIRAL, GU24 BASE (120V ONLY)	
2XCF.D.18	18W X 2, CFL, DOUBLE TWIN TUBE, G24Q2 BASE	
3XINC.40	40W X 3, INC, A19 / B10 / HAL T10, MEDIUM BASE (120V ONLY)	
LED.24*	24W, LED *NOT AVAILABLE WITH A TRACK ADAPTOR	
COLOR TEMPERATURE TEMPÉRATURE DE COULEUR		
FOR LED ONLY		
30	3000K	
35	3500K	
40	4000K	
VOLTAGE VOLTAGE		
120V	120 VOLT	
277V*	277 VOLT	
347V*	347 VOLT**	
	*NOT AVAILABLE WITH A TRACK ADAPTOR	
	**ONLY AVAILABLE WITH CF.D.18 (NON-DIMMING BALLAST)	
DIMMING OPTION OPTION DE GRADATION		
AVAILABLE WITH 2XCF.D.18		
DM1	ELECTRONIC DIMMING BALLAST ADVANCE MARK 10	
DM7*	ELECTRONIC DIMMING BALLAST ADVANCE MARK 7	
DED*	ELECTRONIC DIMMING BALLAST LUTRON ECOSYSTEM (ECOSYSTEM DIGITAL LINK WIRING)	
DE3*	ELECTRONIC DIMMING BALLAST LUTRON ECOSYSTEM (3-WIRE WIRING)	
	*NOT AVAILABLE WITH A TRACK ADAPTOR	
AVAILABLE WITH LED ONLY		
DV	0-10V DIMMING (120-277V)	
DP	PHASE DIMMING (120V ONLY)	
	LED DIMMING DRIVER IS STANDARD IN THIS PRODUCT, PLEASE SPECIFY YOUR DIMMING TYPE.	
STEM OR CABLE TIGE OU CABLE		
S10*	3/8" (10MM) STEM, NOT FIELD ADJUSTABLE	
AC**	AIRCRAFT MOUNTING & CLEAR CABLE, FIELD ADJUSTABLE	
	*NOT AVAILABLE WITH LED LIGHT SOURCE	
	**NOT AVAILABLE WITH A TRACK ADAPTOR	
STEM OR CABLE LENGTH LONGUEUR DE TIGE OU CABLE		
36	36" STEM (STD LENGTH)	
60	60" AIRCRAFT CABLE (STD LENGTH)	
**	CUSTOM STEM LENGTH (PLEASE SPECIFY)	
**	CUSTOM AIRCRAFT CABLE LENGTH (PLEASE SPECIFY)	
	FOR OVERALL LENGTH PLEASE CONTACT YOUR EUREKA REPRESENTATIVE.	
MOUNTING MONTAGE		
RC	ROUND CANOPY / PAVILLON ROND FOR INC & LED: 1.00" CANOPY (2401E) FOR DIMMING LED: 1.75" CANOPY (2403G)	
TA1	TRACK ADAPTOR / ADAPTATEUR DE RAIL 1 CIRCUIT 120V ADAPTOR (2734B)	
MOUNTING OPTION OPTION DE MONTAGE		
SCA*	SLOPE CEILING ADAPTOR / ADAPTATEUR DE PLAFOND EN PENTE (ROTATION: 350°, PIVOT: 90°) *ONLY AVAILABLE WITH A STEM	
TRACK ADAPTOR FINISH FINI ADAPTATEUR DE RAIL^(A)		
WH	WHITE	
BLK	BLACK	
M G	METALLIC GRAY	
	^(A) FILL IN IF A TRACK ADAPTOR IS SELECTED, OTHERWISE LEAVE EMPTY	
STRUCTURE FINISH FINI STRUCTURE^(B)		
CHR	CHROME	
S C	SATIN CHROME	
CANOPY FINISH FINI PAVILLON^(B)		
WHE	WHITE FINE TEXTURE	
	^(B) INCLUDE CANOPY FINISH IF A CANOPY IS SELECTED	
SHADE FINISH FINI ABAT-JOUR		
WLT	WHITE - LINEN - TRILAM	
GLT	GRAY - LINEN - TRILAM	
ACRYLIC FINISH FINI ACRYLIQUE		
WH	WHITE	
BLK*	BLACK	
	*IF LED LIGHT SOURCE IS SELECTED, ACRYLIC OFFERED IN WHITE ONLY.	

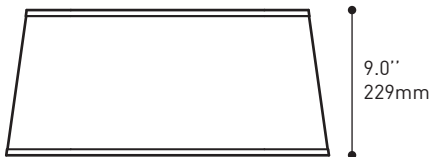
CLASSIC AND CONTEMPORARY
Offered in linen or Trilam
White, gray and black

PENDANT OPTIONS
3 stainless steel cables system for flexible adjustment
Also offered on Ø10mm stem, track and slope ceiling adaptor



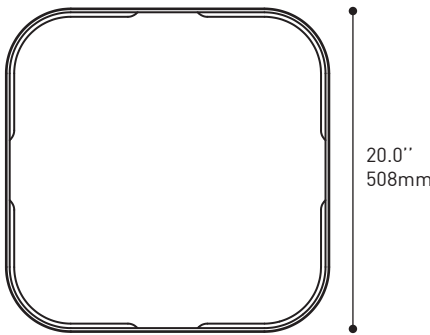
SELF RETAINING DIFFUSER
1/8" high diffusion laser cut acrylic

FLUORESCENT INTEGRATED BALLAST KIT
18Ga cr. steel powder coated ballast box
Allow the use of many dimming options and fast maintenance

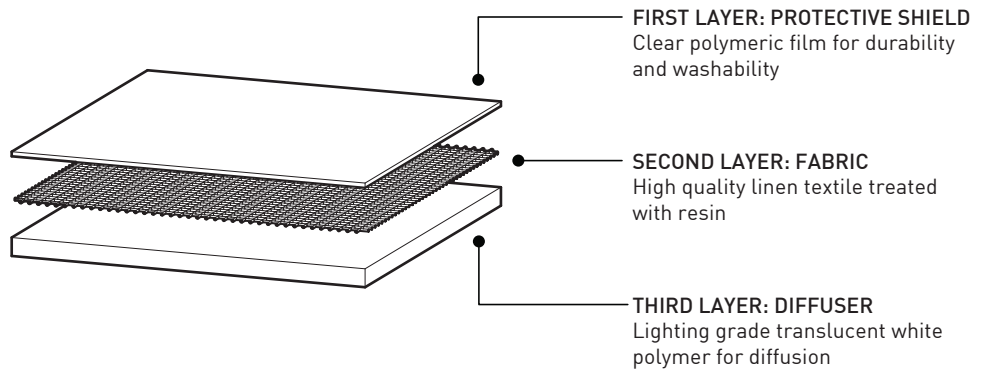


9.0"
229mm

TRILAM: WASHABLE & STAIN RESISTANT, IDEAL FOR COMMERCIAL USE



20.0"
508mm



FIRST LAYER: PROTECTIVE SHIELD
Clear polymeric film for durability and washability

SECOND LAYER: FABRIC
High quality linen textile treated with resin

THIRD LAYER: DIFFUSER
Lighting grade translucent white polymer for diffusion

SPECIFICATIONS

	2XCF.D.18	3XCF.SP.13	3XINC
LIGHT SOURCE	Double twin 2 x 18W g24q2	Spiral 3 x 13W gu24	A19, B10, T10 3 x 40W
BALLAST HOUSING	Cr. steel 18Ga, White powder coated	None	None
DIMMING	Advance MarkX, Advance Mark7, Lutron EcoSystm	Use light bulbs made for this purpose	None
VOLTAGE	120-277V or 120V Or 277V (depending of the ballast)	120V	120V



225 de Liège Ouest, Suite #200
Montréal (QC), Canada H2P 1H4
Tel : 514.385.3515 Fax : 514.385.4169
www.eurekalighting.com



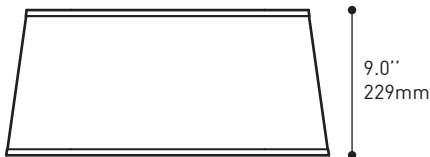
4411-GIC

CLASSIQUE ET CONTEMPORAIN
Offert en lin ou Trilam
Blanc, gris et noir

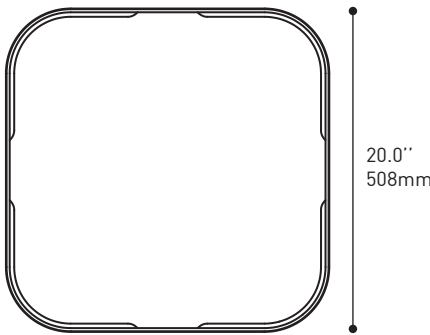
OPTIONS DE SUSPENSION
Système à 3 câbles d'acier inoxydable
pour un ajustement flexible
Aussi offert sur tige de Ø10mm et
adaptateur de plafond incliné

DIFFUSEUR AUTO-PORTANT
Acrylique haute diffusion 1/8"
découpé au laser

KIT DE BALLAST INTÉGRÉ
Boîte d'acier roulé à froid
Peinture blanche en poudre
Permet l'usage de plusieurs ballast à
gradation et une maintenance plus rapide

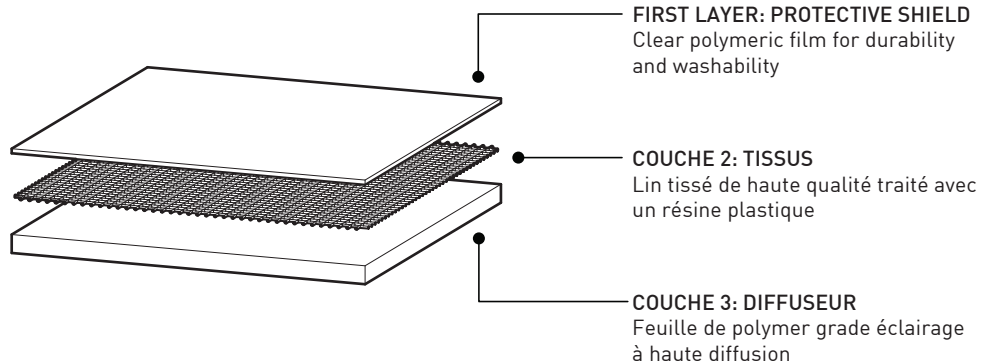


9.0"
229mm



20.0"
508mm

TRILAM: MATÉRIAU LAVABLE & RESISTANT AUX TACHES, IDEAL POUR LES APPLICATIONS COMMERCIALES



FIRST LAYER: PROTECTIVE SHIELD
Clear polymeric film for durability
and washability

COUCHE 2: TISSUS
Lin tissé de haute qualité traité avec
un résine plastique

COUCHE 3: DIFFUSEUR
Feuille de polymer grade éclairage
à haute diffusion

SPECIFICATIONS

SOURCE LUMINEUSE
BOITE BALLAST
GRADATION
VOLTAGE

2XCF.D.18

Double twin 2 x 18W g24q2
Acier roulé à froid 18Ga, Peinture en poudre blanche
Advance MarkX, Advance Mark7, Lutron EcoSytem
120-277V or 120V Or 277V (dépendamment du ballast)

3XCF.SP.13

Spirale 3 x 13W gu24
Ballast intégré
Ampoule à gradation
120V

3XINC

A19, B10, T10 3 x 40W
Non
Toujours
120V