

BARE 4255-UFL

PROJECT PROJÉT
SPEC TYPE
NOTES



OVERALL HEIGHT HAUTEUR HORS TOUT

LIGHT SOURCE	INC TRACK 1 CIRCUIT	LED TRACK 1 CIRCUIT	INC	LED DIM -8W 277V	CFL	CFL DIM
MOUNTING	2734B	2734F	2401E	2403G	2402G	2402J
CABLE	68.80"	70.45"	69.70"	70.20"	70.45"	46.95"

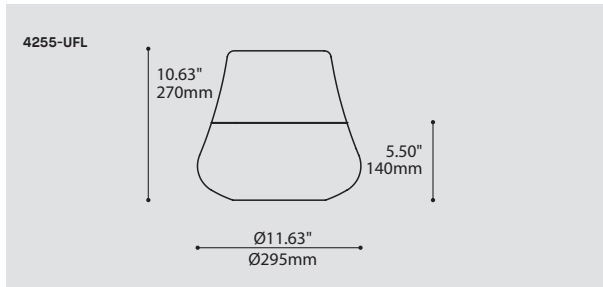
MOUNTING OPTIONS OPTIONS DE MONTAGE

2734B	2734F	2401E	2403G	2402G	2402J
1.46" x 1.36"	7.25" x 1.70"	04.50" x 1.00"	04.50" x 1.50"	05.25" x 1.75"	05.25" x 2.25"
37 x 35mm	37 x 35mm	0114 x 25mm	0114 x 38mm	0133 x 44mm	0133 x 57mm

* OVERALL HEIGHT DOES NOT INCLUDE TRACK THICKNESS

STEM OR CABLE OPTIONS OPTIONS DE TIGE OU CABLE

AC CABLE STD 60" 1523mm	
-------------------------------	--



ORDERING SPECIFICATION SPÉCIFICATION DE COMMANDE

MODEL MODÈLE **4255-UFL** CODE

4255-UFL BARE

LIGHT SOURCE SOURCE LUMINEUSE

(WATTAGE, LAMP TYPE, LAMP FORM, BASE TYPE, OTHER INFO)

CF.D.13*		13W, CFL, DOUBLE TWIN TUBE, G24Q1 BASE
CF.D.18*		18W, CFL, DOUBLE TWIN TUBE, G24Q2 BASE
CF.T.32*		26/32W, CFL, TRIPLE TWIN TUBE, G24Q3 BASE
INC.100		100W, INC, A19 / HAL T10, MEDIUM BASE (120V ONLY)
LED.4		4W, LED
LED.8		8W, LED
LED.18		18W, LED

*NOT AVAILABLE WITH A TRACK ADAPTOR

COLOR TEMPERATURE TEMPÉRATURE DE COULEUR

FOR LED ONLY

30	3000K
35	3500K
40	4000K

VOLTAGE VOLTAGE

120V	120 VOLT
277V*	277 VOLT
347V**	347 VOLT

*NOT AVAILABLE WITH A TRACK ADAPTOR

**ONLY AVAILABLE WITH CF.D.13, CF.D.18 & CF.T.32 (NON-DIMMING BALLAST)

DIMMING OPTION OPTION DE GRADATION

AVAILABLE WITH CF.D.18 & CF.T.32

MAXIMUM 36" AIRCRAFT CABLE LENGTH

DED	LUTRON ECOSYSTEM ELECTRONIC DIMMING BALLAST (ECOSYSTEM DIGITAL LINK WIRING)
DE3	LUTRON ECOSYSTEM ELECTRONIC DIMMING BALLAST (3-WIRE WIRING)

FOR LED ONLY

DV*	0-10V DIMMING (120-277V)
DP	PHASE DIMMING (120V ONLY)

LED DIMMING DRIVER IS STANDARD FOR LED.18, PLEASE SPECIFY YOUR DIMMING TYPE.

*NOT AVAILABLE WITH A TRACK ADAPTOR

CABLE CABLE

AC AIRCRAFT MOUNTING & CLEAR CABLE, FIELD ADJUSTABLE

CABLE LENGTH LONGUEUR DE CABLE

60	60" AIRCRAFT CABLE (STD LENGTH)
**	CUSTOM AIRCRAFT CABLE LENGTH (PLEASE SPECIFY) FOR OVERALL LENGTH PLEASE CONTACT YOUR EUREKA REPRESENTATIVE.

MOUNTING MONTAGE

RC	ROUND CANOPY / PAVILLON ROND FOR LED 18W: 0.50" CANOPY (2401C) FOR INC & LED 4W AND 8W 120V: 1.00" CANOPY (2401E) FOR DIMMING LED 4W AND 8W & LED 8W 277V: 1.75" CANOPY (2403G) FOR CFL: 1.75" CANOPY (2402G) FOR DIMMING CFL: 2.25" CANOPY (2402J)
----	--

TA1	TRACK ADAPTOR / ADAPTATEUR DE RAIL 1 CIRCUIT INC, LED NON-DIMMING (4W & 8W) & LED (18W) 120V ADAPTOR (2734B) LED DIMMING (4W & 8W) 120V ADAPTOR (2734F)
-----	--

TRACK ADAPTOR FINISH FINI ADAPTATEUR DE RAIL^(A)

WH	WHITE
BLK	BLACK
M G	METALLIC GRAY

^(A) FILL IN IF A TRACK ADAPTOR IS SELECTED, OTHERWISE LEAVE EMPTY

STRUCTURE FINISH FINI STRUCTURE^(B)

CHR	CHROME
WH	WHITE

INTERNAL PARABOLIC REFLECTOR SUPPLIED AS WHITE ONLY.
^(B) INCLUDE CANOPY FINISH IF CANOPY IS SELECTED

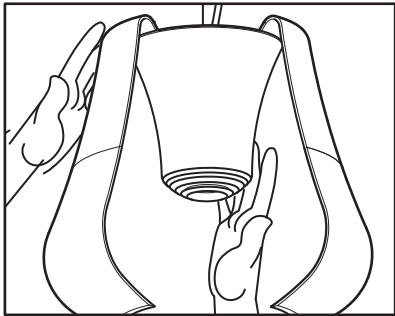
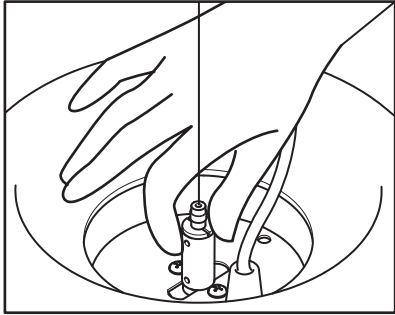
DIFFUSER FINISH FINI DIFFUSEUR

CFR	CLEAR / FROSTED
-----	-----------------

PRODUCT CHARACTERISTICS CARACTÉRISTIQUES DU PRODUIT

BIM **DIM** **IES** **LED**

DESIGN:	Organic glass pendant with frosted diffusing lamp and parabolic interior reflector.
LIGHT SOURCE:	LED as well as many other dimmable fluorescent and incandescent sources.
DIFFUSER:	Hand blown clear glass with precisely aligned frosted section.
STRUCTURE:	Die-formed steel canopy, fittings and interior reflector with white polyester powder coating.
CERTIFIED:	c-CSA-us



BALANCING THE FIXTURE

PARABOLIC REFLECTOR
White powder coated spun
16Ga aluminium sheet

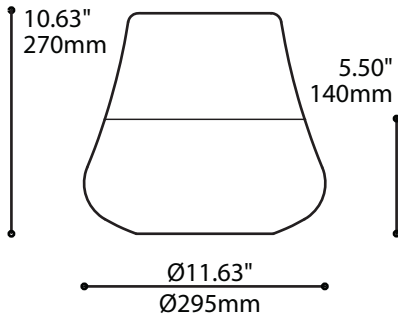
SINGLE AIRCRAFT CABLE
Adjustable on site

4&8W LED VERSIONS
Machined aluminium heatsink
with integrated driver

FROST BOTTOM SECTION
Sandblasted to protect
from the glare

HAND BLOWN CRYSTAL GLASS
Clear top section for optimized
indirect lighting

18W LED VERSIONS (H0)
LED COB with high efficiency
spherical diffuser



4255-UFL (BARE)



4255-UCR (SKIRT)

SPECIFICATIONS

LIGHT SOURCE
DELIVERED LUMENS
CRI
DRIVER
DIMMING
LM-79
WARRANTY

LED 4W

4x high power LED (total 4.7W)
478lm (4000K)
84 CRI (Typical)
CC 350mA
Phase dimming (DP) or 0-10V dimming (DV)
On request
5 years

LED 8W

4x high power LED (total 9.8W)
875lm (4000K)
CC 700mA

LED 18W

1x COB LED (total 18W)
1429lm (4000K)
CC 500mA
On request

SPECIFICATIONS

LIGHT SOURCE
DIMMING
VOLTAGE

COMPACT FLUO G24Q

13W, 18W, 26/32W
Advance Mark 7&10, Lutron EcoSystem
120-277V, 347V (non-dimming)

COMPACT FLUO GU24

Spiral 26W self ballasted
Dimmable light bulb only
120V

INCANDESCENT

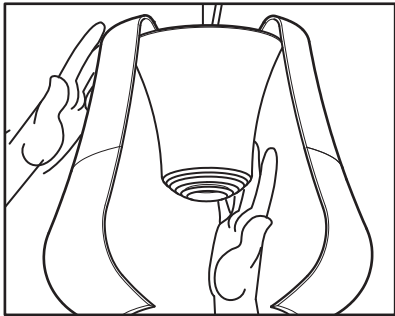
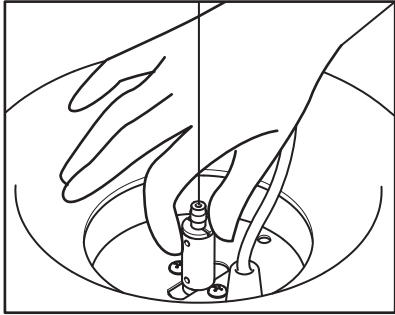
A19, T10 100W
Always
120V



225 de Liège Ouest, Suite #200
Montréal (QC), Canada H2P 1H4
Tel : 514.385.3515 Fax : 514.385.4169
www.eurekalighting.com



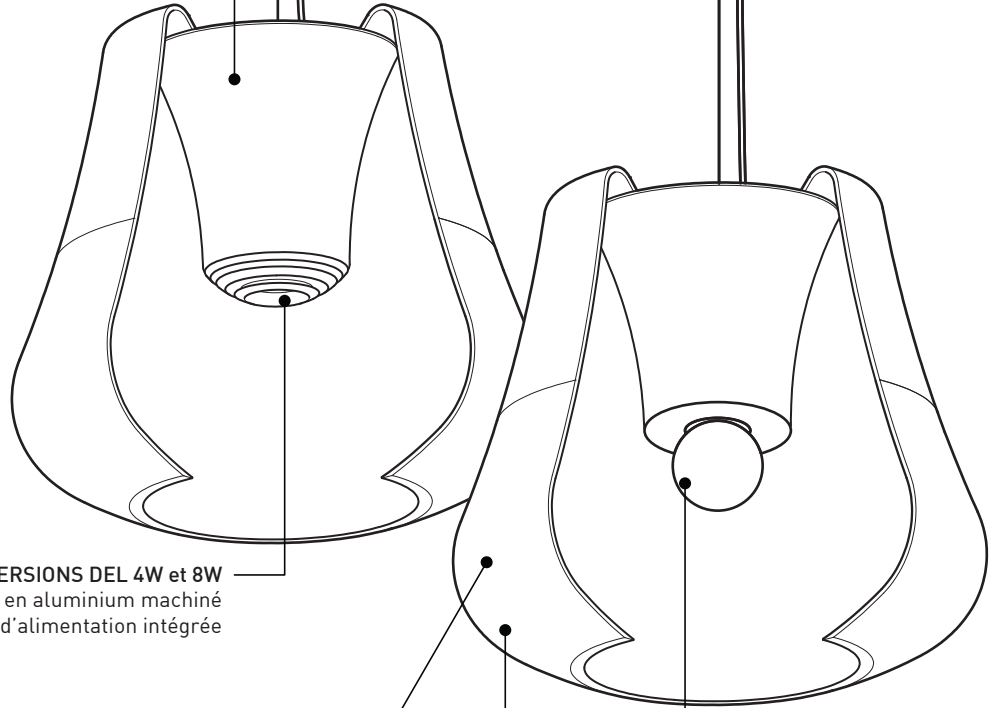
4255-UFL



MISE À NIVEAU DU LUMINAIRE

REFLECTEUR PARABOLIQUE
Aluminium repoussé 16Ga
Peinture blanche en poudre

UN CABLE D'ACIER
Adjustable en chantier

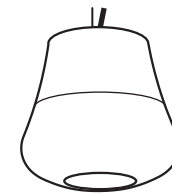
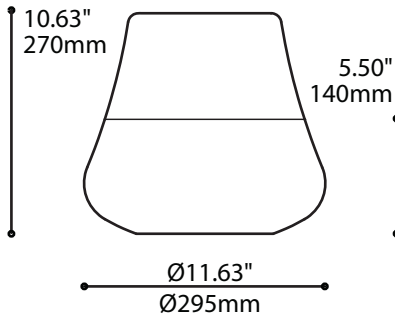


VERSIONS DEL 4W et 8W
Radiateur en aluminium machiné
avec unité d'alimentation intégrée

SECTION DU BAS GIVRÉE
Surface du dessous traitée au sable
pour minimiser l'éblouissement

VERSION DEL 18W (H0)
DEL COB avec diffuseur
sphérique de haute efficacité

VERRE CRYSTAL SOUFLÉ À LA MAIN
Section supérieure claire pour un
éclairage indirect optimal



4255-UFL (BARE)



4255-UCR (SKIRT)

SPÉCIFICATIONS

SOURCE LUMINEUSE
LUMENS RÉELS
IRC
ALIMENTATION
GRADATION
LM-79
GARANTIE

LED 4W

4x DEL haute intensité (total 4.7W)
478lm (4000K)
84 IRC (typique)
CC 350mA
Gradation de type Phase (DP) ou 0-10V (DV)
Sur demande
5 ans

LED 8W

4x DEL haute intensité (total 9.8W)
875lm (4000K)
CC 700mA

LED 18W

1x DEL COB (total 18W)
1429lm (4000K)
CC 500mA

SPÉCIFICATIONS

SOURCE LUMINEUSE
GRADATION
VOLTAGE

COMPACT FLUO G24Q

13W, 18W, 26/32W
Advance Mark 7&10, Lutron EcoSystem
120-277V, 347V (sans gradation)

COMPACT FLUO GU24

Spirale 26W ballast intégré
Ampoule à gradation seulement
120V

INCANDESCENT

A19, T10 100W
Toujours
120V