

LIFT 4240

PROJECT PROJET

SPEC TYPE

NOTES



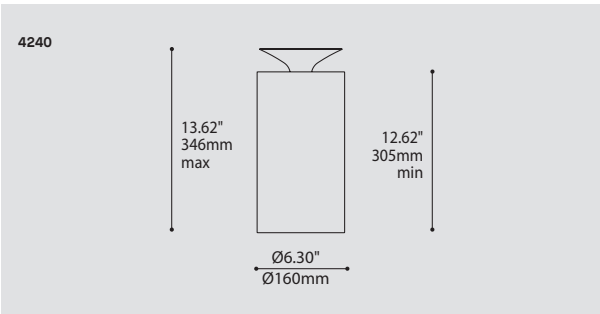
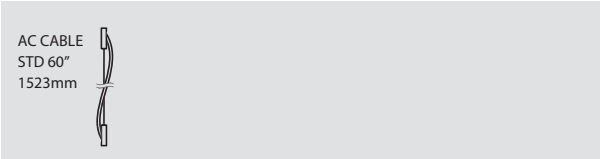
OVERALL HEIGHT HAUTEUR HORS TOUT

LIGHT SOURCE	CFL GU24	CFL	CFL DIM
MOUNTING	2401E	2402G	2402J
CABLE	70.95"	71.70"	48.20"

MOUNTING OPTIONS OPTIONS DE MONTAGE

Option	Dimensions
2401E	Ø4.50" x 1.00" Ø114 x 25mm
2402G	Ø5.25" x 1.75" Ø133 x 44mm
2402J	Ø5.25" x 2.25" Ø133 x 57mm

STEM OR CABLE OPTIONS OPTIONS DE TIGE OU CABLE



ORDERING SPECIFICATION SPÉCIFICATION DE COMMANDE

MODEL MODÈLE **4240**

4240 LIFT

LIGHT SOURCE SOURCE LUMINEUSE

(WATTAGE, LAMP TYPE, LAMP FORM, BASE TYPE, OTHER INFO)
CF.T.32 26/32W, CFL, DOUBLE / TRIPLE TWIN TUBE, G24Q3 BASE
CF.SP.26 26W, CFL, SPIRAL TUBE, GU24 BASE (120V ONLY)
LED.13 13W, LED

COLOR TEMPERATURE TEMPÉRATURE DE COULEUR

FOR LED ONLY
30 3000K
35 3500K
40 4000K

VOLTAGE VOLTAGE

120V 120 VOLT
277V 277 VOLT
347V* 347 VOLT
*ONLY AVAILABLE WITH CF.T.32 ONLY (NON-DIMMING BALLAST)

DIMMING OPTION OPTION DE GRADATION

AVAILABLE WITH CF.T.32 ONLY
 MAXIMUM 36" AIRCRAFT CABLE LENGTH
DED LUTRON ECOSYSTEM ELECTRONIC DIMMING BALLAST (ECOSYSTEM DIGITAL LINK WIRING)
DE3 LUTRON ECOSYSTEM ELECTRONIC DIMMING BALLAST (3-WIRE WIRING)
 FOR LED ONLY
DV 0-10V DIMMING (120-277V)
DP PHASE DIMMING (120V ONLY)
LED DIMMING DRIVER IS STANDARD IN THESE PRODUCT. PLEASE SPECIFY YOUR DIMMING TYPE.

CABLE CABLE

AC AIRCRAFT MOUNTING & CLEAR CABLE, FIELD ADJUSTABLE **AC**

CABLE LENGTH LONGUEUR DE CABLE

60 60" AIRCRAFT CABLE (STD LENGTH)
****** CUSTOM AIRCRAFT CABLE LENGTH (PLEASE SPECIFY)*
FOR OVERALL LENGTH PLEASE CONTACT YOUR EUREKA REPRESENTATIVE.

MOUNTING MONTAGE

RC ROUND CANOPY / PAVILLON ROND
 FOR CFL GU24: 1.00" CANOPY (2401E)
 FOR DIMMING LED: 1.75" CANOPY (2403G)
 FOR CFL: 1.75" CANOPY (2402G)
 FOR DIMMING CFL: 2.25" CANOPY (2402J)

STRUCTURE FINISH FINI STRUCTURE

SA SATIN ALUMINUM
WH WHITE

CANOPY FINISH FINI PAVILLON

WH* WHITE
*IF NO FINISH IS SELECTED, CANOPY FINISH WILL BE THE SAME AS STRUCTURE FINISH

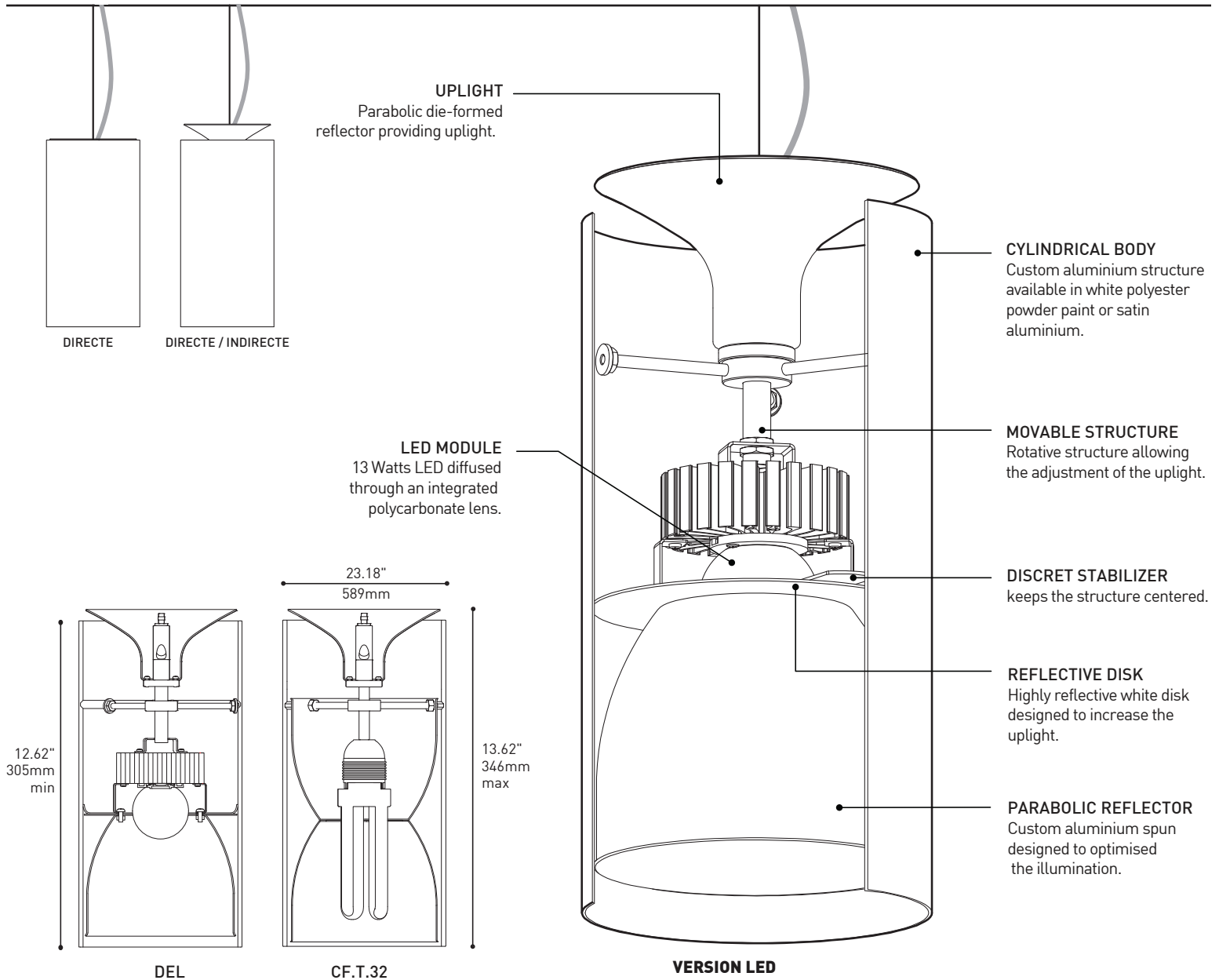
REFLECTOR FINISH FINI RÉFLECTEUR

WH WHITE **WH**

PRODUCT CHARACTERISTICS CARACTÉRISTIQUES DU PRODUIT

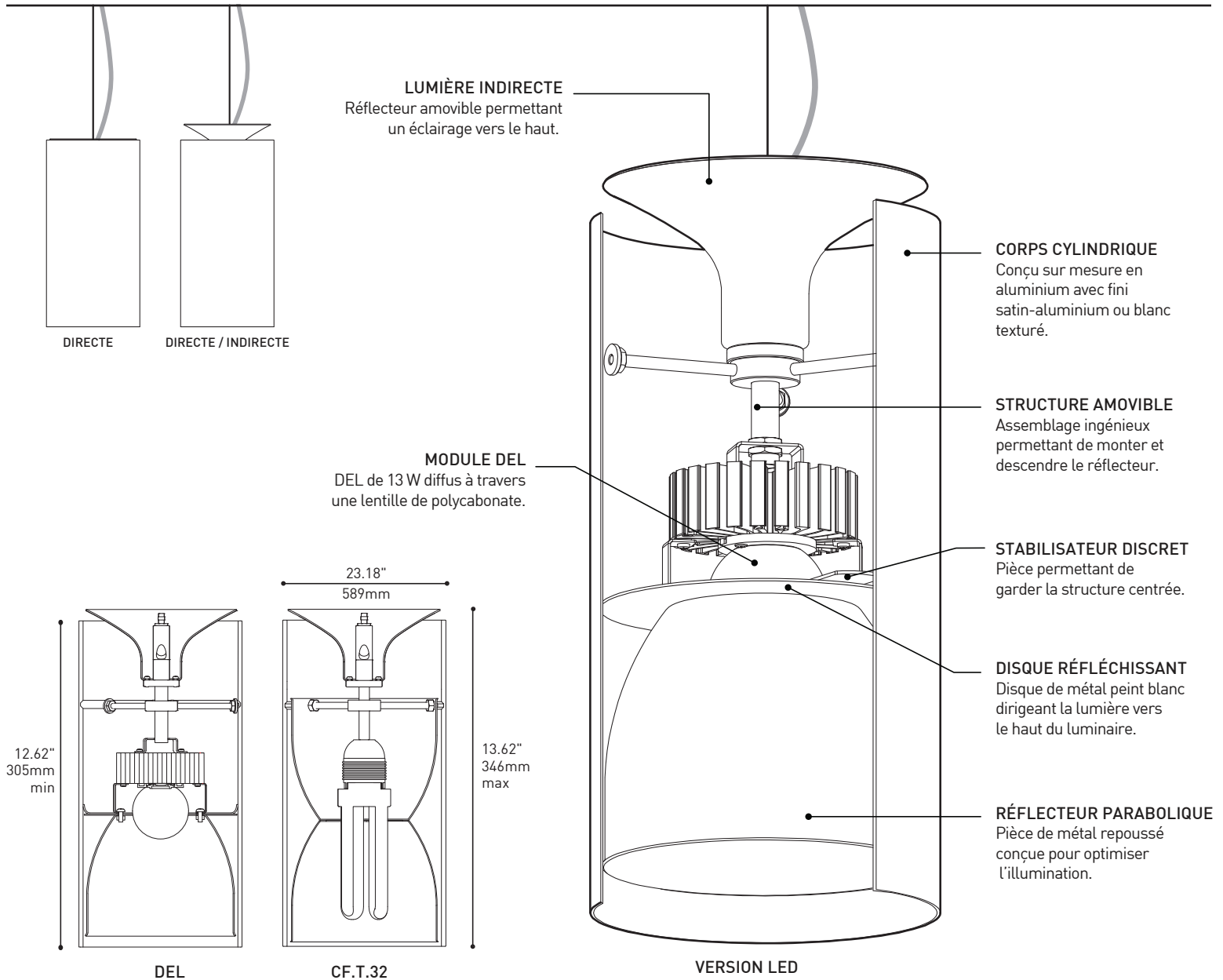
BIM **DIM** **IES** **LED**

DESIGN: Classic cylindrical form with a parabolic reflector can be rotated to spread light outwards from its top.
INSTALLATION: Easy to install and adjust aircraft cable mounting.
LIGHT SOURCE: LED or fluorescent light sources available. Dimming options offered.
STRUCTURE: Machined aluminum body with steel inner structure.
REFLECTOR: Parabolic die-formed aluminum with highly reflective white polyester powder paint.
CERTIFIED: c-CSA-us
CONCEPTION: Forme cylindrique classique avec un réflecteur parabolique ajustable pour éclairer vers le haut.
INSTALLATION: Facile à installer et à ajuster sur câble d'acier.
SOURCE LUMINEUSE: DEL et fluorescent à intensité variable offerts. Gradation disponible.
STRUCTURE: Aluminium usiné avec structure interne en acier.
RÉFLECTEUR: Aluminium embouti avec peinture électrostatique blanche à base de polyester très réfléchissante.
CERTIFIÉ: c-CSA-us



SPECIFICATIONS

	LED	CF.T.32	CF.SP.26
LIGHT SOURCE	1 x LED COB ± 13 W	TRIPLE TUBE 32W G24Q3	SPIRALE 26W GU24
DELIVERED LUMENS	799 lm (4000K)	1033 lm (4000K)	
MODULE	UL recognized	N/A	N/A
CRI	85 CRI (typical)	N/A	N/A
LIGHT DISTRIBUTION	Direct - indirect		
STRUCTURE	Machined aluminium body with steel inner structure		
VOLTAGE	120V ou 277V	120V ou 277V , 347V (no gradation)	120V only
DIMMING	700 mA 0-10V (120-277V) or phase (120V)	Lutron ecosystem	None
WARANTY	5 years		



SPÉCIFICATIONS

SOURCE LUMINEUSE
LUMENS RÉELS
MODULE
IRC
DISTRIBUTION LUMINEUSE
STRUCTURE
VOLTAGE
GRADATION
GARANTIE

DEL

1 x COB DEL ± 13 W
799 lm (4000K)
Reconnu par UL
85 IRC (typique)
Directe - indirecte
Cylindre d'aluminium usiné avec structure interne en acier
120V ou 277V
700 mA 0-10V (120-277V) ou phase (120V)
5 ans

CF.T.32

TRIPLE TUBE 32W G24Q3
1033 lm (4000K)
N/A
N/A
120V ou 277V, 347V (sans gradation)
Lutron ecosystem

CF.SP.26

SPIRALE 26W GU24
N/A
N/A
120V seulement
N/A