

SPIN 4236B

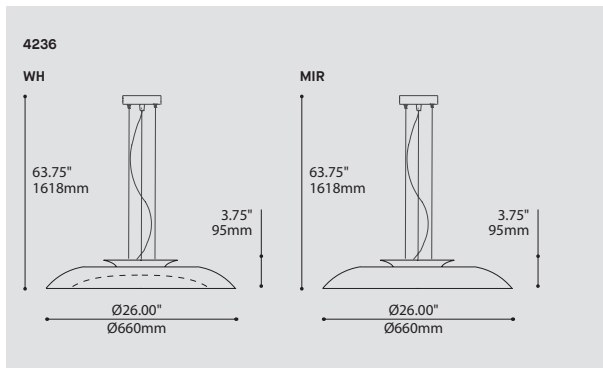
PROJECT PROJET
SPEC TYPE
NOTES



OPTIONS



MIR



ORDERING SPECIFICATION	SPÉCIFICATION DE COMMANDE	CODE
MODEL MODÈLE		4236B
4236B	BIG SPIN	
LIGHT SOURCE SOURCE LUMINEUSE		
<small>(WATTAGE, LAMP TYPE, LAMP FORM, BASE TYPE, OTHER INFO)</small>		
F.T5.C.40	40W, FLUO, CIRCULAR T5, 2GX13 BASE	
LED	REGULAR OUTPUT	
LED.HO	HIGH OUTPUT	
COLOR TEMPERATURE TEMPÉRATURE DE COULEUR		
<small>FOR LED ONLY</small>		
30	3000K	
35	3500K	
40	4000K	
VOLTAGE VOLTAGE		
120V	120 VOLT	
277V	277 VOLT	
347V*	347 VOLT	
	<small>*ONLY AVAILABLE WITH F.T5.C.22 & F.T5.C.40</small>	
DIMMING OPTION OPTION DE GRADATION		
<small>FOR LED ONLY</small>		
DV	0-10V DIMMING (120-277V)	
DP	PHASE DIMMING (120V ONLY)	
	<small>LED DIMMING DRIVER IS STANDARD IN THIS PRODUCT, PLEASE SPECIFY YOUR DIMMING TYPE.</small>	
CABLE CABLE		AC
AC	AIRCRAFT MOUNTING & CLEAR CABLE, FIELD ADJUSTABLE	
CABLE LENGTH LONGUEUR DE CABLE		
60	60" AIRCRAFT CABLE (STD LENGTH)	
**	CUSTOM AIRCRAFT CABLE LENGTH (PLEASE SPECIFY)	
	<small>FOR OVERALL LENGTH PLEASE CONTACT YOUR EUREKA REPRESENTATIVE.</small>	
STRUCTURE FINISH FINI STRUCTURE		WHE
WHE	WHITE FINE TEXTURE	
DECORATIVE PLATE FINISH FINI PLAQUE DÉCORATIVE		
WHE	WHITE FINE TEXTURE	
MIR	MIRROR	

PRODUCT CHARACTERISTICS CARACTÉRISTIQUES DU PRODUIT

BIM **DIM** **IES** **LED**

DESIGN:	Concentric parabolic reflectors create a simple and elegant direct / indirect lighting.
INSTALLATION:	Easy to install, adjust and level triple aircraft cable mounting.
LIGHT SOURCE:	High power LED or T5 Circline sources available.
STRUCTURE:	Die spun steel structure with white fine texture finish. The front plate is available in white or with a shatter proof mirror.
DIFFUSER:	Vacuum formed frosted polymer.
CERTIFIED:	c-CSA-us, c-UL-us
CONCEPTION:	Réflecteurs paraboliques concentriques offrant un éclairage direct / indirect simple et élégant.
INSTALLATION:	Facile à installer, ajuster et à équilibrer sur câble d'acier triple.
SOURCE LUMINEUSE:	DEL et T5 Circline offert.
STRUCTURE:	Structure d'acier embouti avec fini blanc texturé. La plaque frontale décorative est offerte en blanc ou avec un miroir incassable.
DIFFUSEUR:	Polymère givré thermoformé.
CERTIFIÉ:	c-CSA-us, c-UL-us

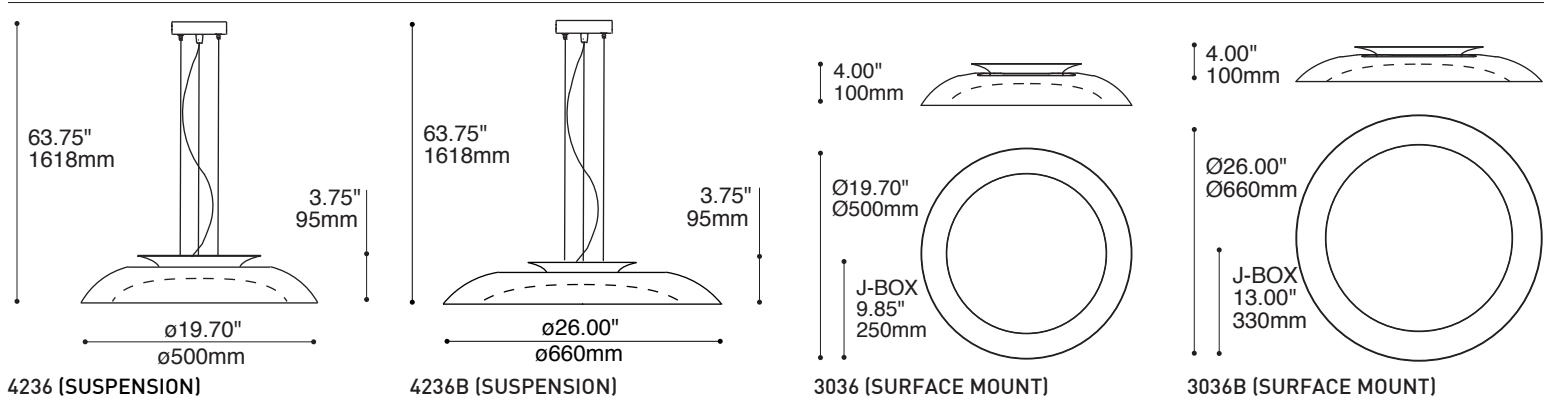
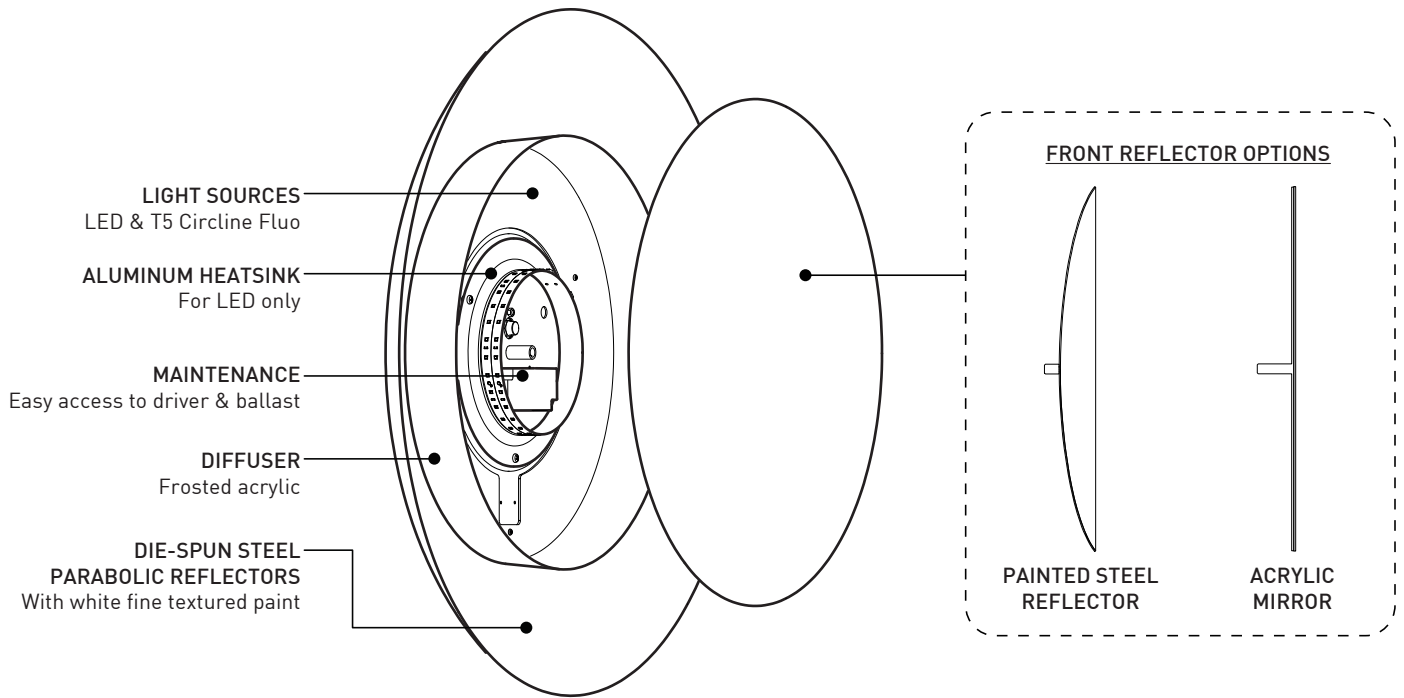
FAMILY FAMILLE



3036B

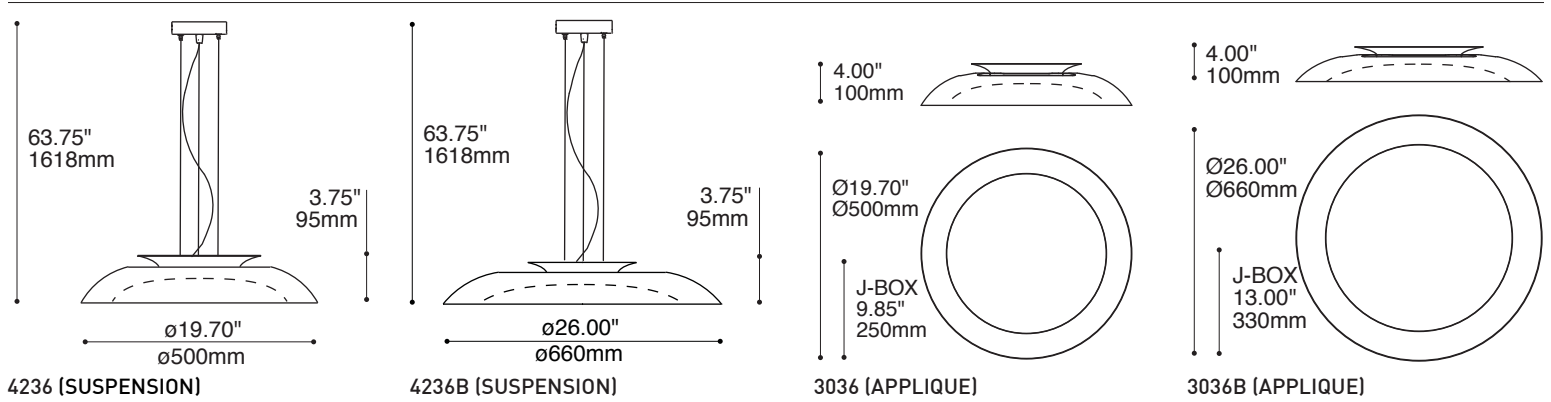
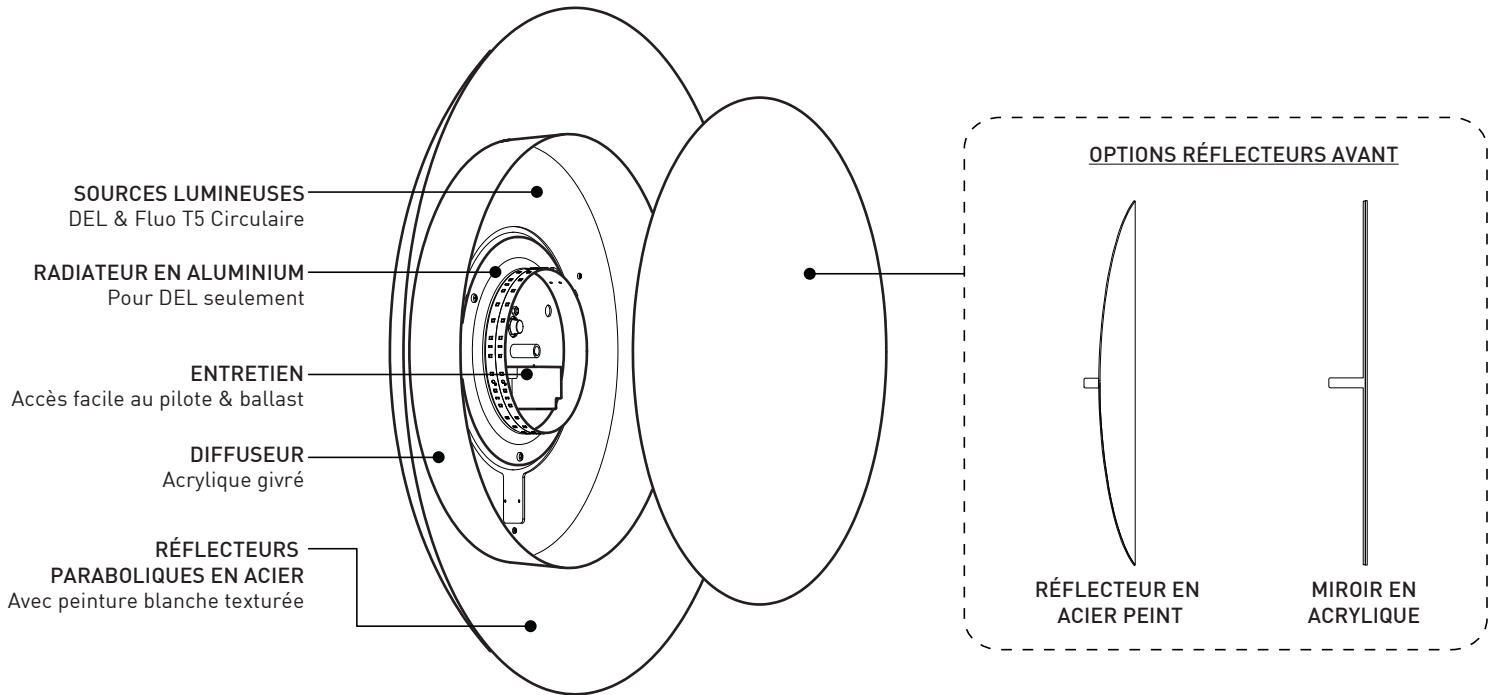


3036B



SPECIFICATIONS

	LED	FLUORESCENT
LIGHT SOURCE	39 x LED (Reg) & 78 x LED (HO)	22W - 40W T5 CIRCLINE
DELIVERED LUMENS	1347 lm (Reg) & 2602 lm (HO)	1130 lm [XX36-FT5C22] & 2080 lm [XX36B-FT5C40]
SYSTEM WATTAGE	17W (Reg) & 32W (HO)	25W [XX36-FT5C22] & 60W [XX36B-FT5C40]
CRI	80 CRI (typical)	N/A
LIGHT DISTRIBUTION	Direct-Indirect	
MODULE	UL Recognized - Proprietary design - Made in USA	N/A
STRUCTURE	Die-spun steel structure + Mirror (MIR option)	
VOLTAGE	120V or 277V	120 or 277V and 347V
DRIVER	Constant current 350mA (Reg) or 700mA (HO), UL recognized	Advance Smartmade or equivalent
DIMMING	Phase dimming (DP) and 0-10V dimming (DV)	N/A
URGENCY	N/A	Remote Emergency Battery for FT5C40
LM-79 & ROHS	Available on request	
WARRANTY	5 years	3-5 years (on ballast, depending of ballast)



SPECIFICATIONS

	DEL	FLUORESCENT
SOURCE LUMINEUSE	39 x DEL (Reg) & 78 x DEL (HO)	22W - 40W T5 CIRCULAIRE
LUMENS (LIVRÉS)	1347 lm (Reg) & 2602 lm (HO)	1130 lm (XX36-FT5C22) & 2080 lm (XX36B-FT5C40)
CONSOMMATION TOTALE	17W (Reg) & 32W (HO)	25W (XX36-FT5C22) & 60W (XX36B-FT5C40)
IRC	80 IRC (typique)	N/A
DISTRIBUTION LUMINEUSE	Direct-Indirect	
MODULE	Reconnu par UL - Fabriqué aux États-Unis	N/A
STRUCTURE	Structure d'acier repoussé + Miroir (option MIR)	
VOLTAGE	120V ou 277V	120 ou 277V et 347V
PILOTE	350mA (Reg) ou 700mA (HO)	Advance Smartmade ou équivalent
GRADATION	Phase (DP) ou 0-10V (DV)	N/A
URGENCE		Batterie d'urgence à distance pour FT5C40
LM-79 & ROHS	Sur demande & Conforme	
GARANTIE	5 ans (sur les composantes électroniques)	3-5 ans (sur le ballast, selon le ballast)