

SILENE CLASSIC 4156B-JMJ

PROJECT PROJET

SPEC TYPE

NOTES



OVERALL HEIGHT HAUTEUR HORS TOUT

LIGHT SOURCE	HAL TRACK 1 CIRCUIT	LED TRACK 1 CIRCUIT	HAL-LED	LED DIM	CFL	CFL DIM
MOUNTING	2734	2734E	2401E	2403G	2402G	2402J
CABLE	73.20"	73.60"	73.20"	73.95"	72.95"	49.45"
STEM	48.60"	49.00"	47.60"	48.35"	48.75"	49.25"

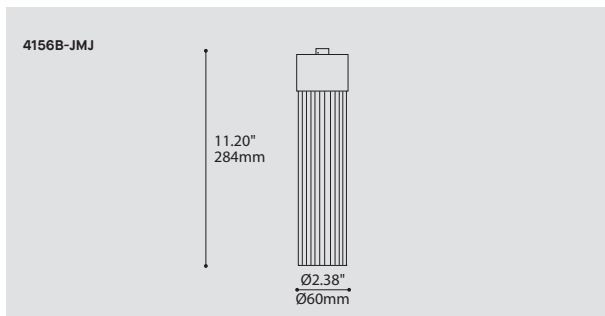
MOUNTING OPTIONS OPTIONS DE MONTAGE

2734	2734E	2401E	2403G	2402G	2402J
3.85" x 2.03" 98 x 52mm	6.15" x 2.00" 156 x 51mm	Ø4.50" x 1.00" Ø114 x 25mm	Ø4.50" x 1.75" Ø114 x 44mm	Ø5.25" x 1.75" Ø133 x 44mm	Ø5.25" x 2.25" Ø133 x 57mm

* OVERALL HEIGHT DOES NOT INCLUDE TRACK THICKNESS

STEM OR CABLE OPTIONS OPTIONS DE TIGE OU CABLE

STEM STD 36" 914mm	CABLE STD 60" 1523mm
--------------------------	----------------------------



ORDERING SPECIFICATION SPÉCIFICATION DE COMMANDE

CODE

MODEL MODÈLE 4156B-JMJ 4156B-JMJ

4156B-JMJ SILENE CLASSIC

LIGHT SOURCE SOURCE LUMINEUSE

(WATTAGE, LAMP TYPE, LAMP FORM, BASE TYPE, OTHER INFO)

CF.D.13*		13W, CFL, DOUBLE TWIN TUBE, G24Q1 BASE
CF.D.18*		18W, CFL, DOUBLE TWIN TUBE, G24Q2 BASE
CF.D.26*		26W, CFL, DOUBLE TWIN TUBE, G24Q3 BASE
BIPIN.50		50W, HAL, BIPIN, GY6.35 BASE
LED.4		4W, LED

*NOT AVAILABLE WITH A TRACK ADAPTOR

COLOR TEMPERATURE TEMPÉRATURE DE COULEUR

FOR LED ONLY

30	3000K
35	3500K
40	4000K

VOLTAGE VOLTAGE

120V	120 VOLT
277V*	277 VOLT
347V**	347 VOLT

*NOT AVAILABLE WITH A TRACK ADAPTOR

**ONLY AVAILABLE WITH CF.D.13, CF.D.18 AND CF.D.26 (NON-DIMMING BALLAST)

DIMMING OPTION OPTION DE GRADATION

AVAILABLE WITH CF.D.18 AND CF.D.26 ONLY, MAXIMUM 36" STEM / CABLE LENGTH

DED	LUTRON ECOSYSTEM ELECTRONIC DIMMING BALLAST (ECOSYSTEM DIGITAL LINK WIRING)
DE3	LUTRON ECOSYSTEM ELECTRONIC DIMMING BALLAST (3-WIRE WIRING)

FOR LED ONLY

DV* 0-10V DIMMING (120-277V)

DP PHASE DIMMING (120V ONLY)

*NOT AVAILABLE WITH A TRACK ADAPTOR

STEM OR CABLE TIGE OU CABLE

S6	1/4" (6MM) STEM, FIELD ADJUSTABLE (NOT AVAILABLE WITH CFL LAMPS)
S10	3/8" (10MM) STEM, NOT FIELD ADJUSTABLE (FOR CFL AND LAMPS ONLY)
C	CLEAR CABLE, FIELD ADJUSTABLE

STEM OR CABLE LENGTH LONGUEUR DE TIGE OU CABLE

36	36" STEM (STD LENGTH)
60	60" CABLE (STD LENGTH)
**	CUSTOM STEM LENGTH (PLEASE SPECIFY)
**	CUSTOM CABLE LENGTH (PLEASE SPECIFY)

FOR OVERALL LENGTH PLEASE CONTACT YOUR EUREKA REPRESENTATIVE.

MOUNTING MONTAGE

RC	ROUND CANOPY / PAVILLON ROND FOR HAL & LED: 1.00" CANOPY (2401E) FOR CFL: 1.75" CANOPY (2402G) FOR DIMMING LED: 1.75" CANOPY (2403G) FOR DIMMING CFL: 2.25" CANOPY (2402J)
----	--

TA1	TRACK ADAPTOR / ADAPTATEUR DE RAIL 1 CIRCUIT HAL 120/12V ADAPTOR (2734) LED DIMMING & NON-DIMMING 120V ADAPTOR (2734E)
-----	---

MOUNTING OPTION OPTION DE MONTAGE

SCA*	SLOPE CEILING ADAPTOR / ADAPTATEUR DE PLAFOND EN PENTE (ROTATION: 350°, PIVOT: 90°) *ONLY AVAILABLE WITH A STEM
------	--

TRACK ADAPTOR FINISH FINI ADAPTATEUR DE RAIL^(A)

WH	WHITE
BLK	BLACK
M G	METALLIC GRAY (2734 ONLY)

^(A)FILL IN IF A TRACK ADAPTOR IS SELECTED, OTHERWISE LEAVE EMPTY

STRUCTURE FINISH FINI STRUCTURE

CHR	CHROME
S C	SATIN CHROME

CANOPY FINISH FINI PAVILLON^(B)

WH	WHITE
----	-------

^(B)IF NO FINISH IS SELECTED, CANOPY FINISH WILL BE THE SAME AS STRUCTURE FINISH

DIFFUSER FINISH FINI DIFFUSEUR

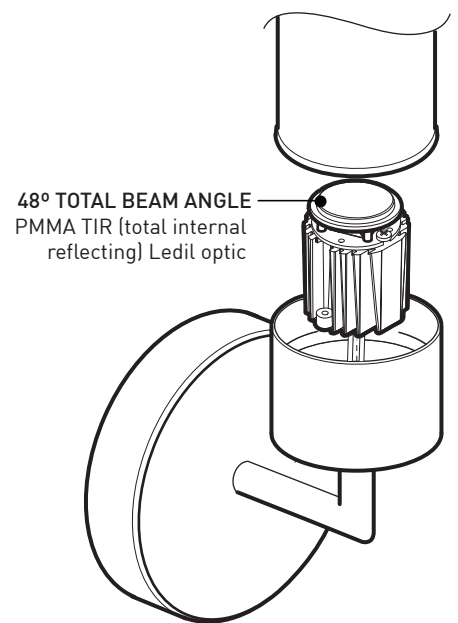
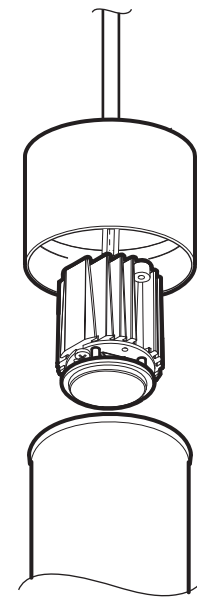
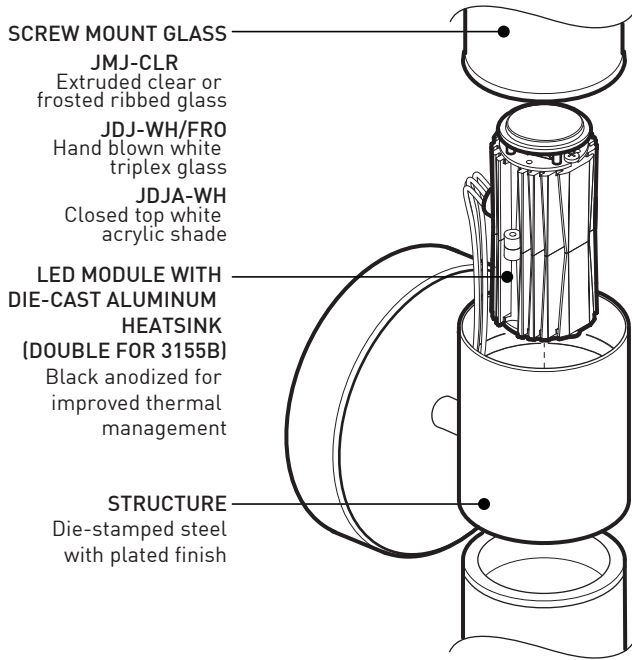
CLR	CLEAR
-----	-------

CLR

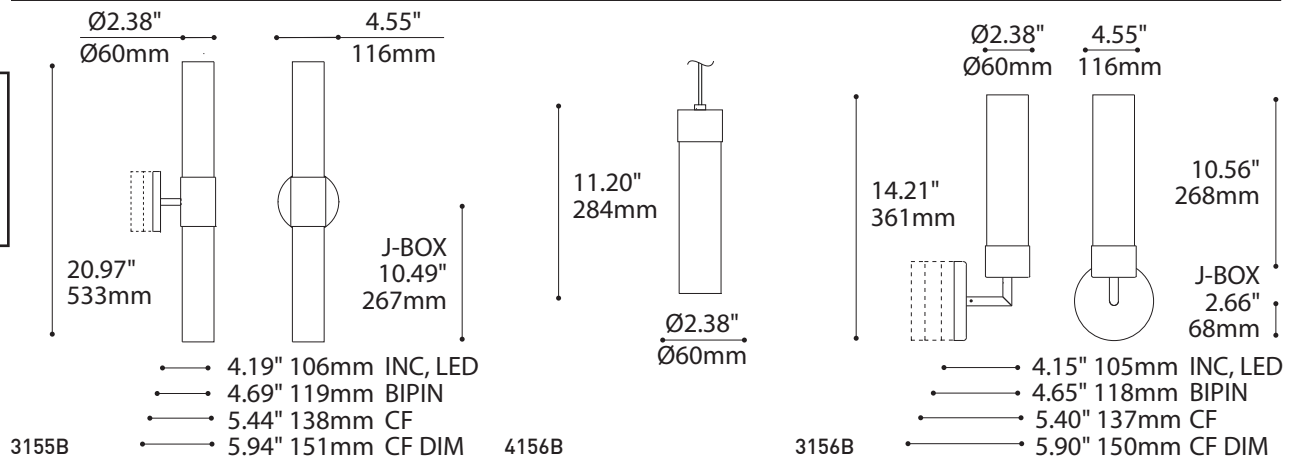
WALL MOUNT 3155B-JMJ/JDJ/JDJA

SUSPENSION 4156B-JMJ/JDJ/JDJA

WALL MOUNT 3156B-JMJ/JDJ/JDJA



OTHER LIGHT SOURCES AVAILABLE
Fluorescent
Halogen (for JDJ/JMJ)
Incandescent (for JDJ/JMJ)



SPECIFICATIONS

	3155B LED	4156B /3156B LED
LIGHT SOURCE MODULE	2 x Nichia - total ±8 w UL recognized - made in USA	1 x Luxeon Rebel ES on MCPCB - total ±4 w
LUMENS (ESTIMATED)	752 lm - 936 lm (4000K)	376 lm - 468 lm (4000K)
CRI	85 CRI (typical)	
ROHS	Compliant	
VOLTAGE	120V - 240V	120V or 277V
DRIVER	350 mA	350 mA
DIMMING	Phase dimming (DP) & 0-10V Dimming (DV)	
WARRANTY	5 years (on electronic components)	
LM-79 & CERTIFICATION	On request & CSA recognized	

SPECIFICATIONS

	Fluorescent	Halogen (for JDJ/JMJ)	Incandescent (for JDJ/JMJ)
LIGHT SOURCE	CFL 13/18/26 w (x 2 for 3155B)	Bipin 50 w (x 2 for 3155B)	B10/T10 100 w (x 2 for 3155B)
VOLTAGE	120V-277V-347V, 120V for GX23 (dimming option available)	120V-277V	120V

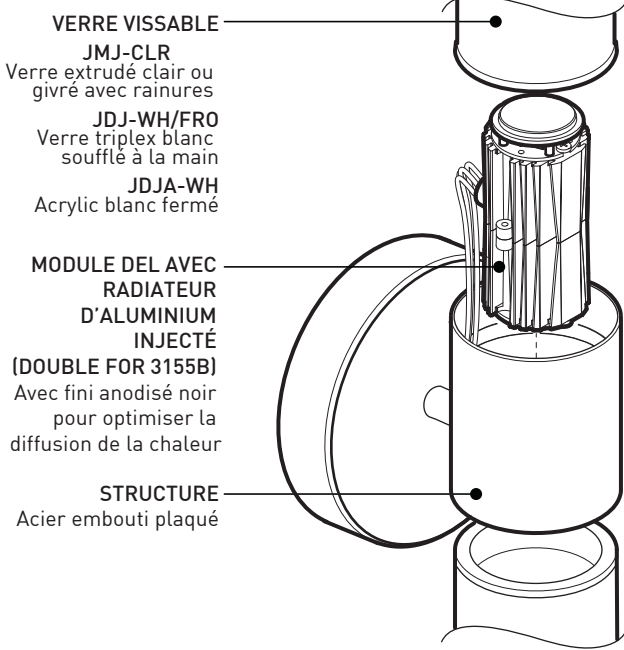


225 de Liège Ouest, Suite #200
Montréal (QC), Canada H2P 1H4
Tel : 514.385.3515 Fax : 514.385.4169
www.eurekalighting.com

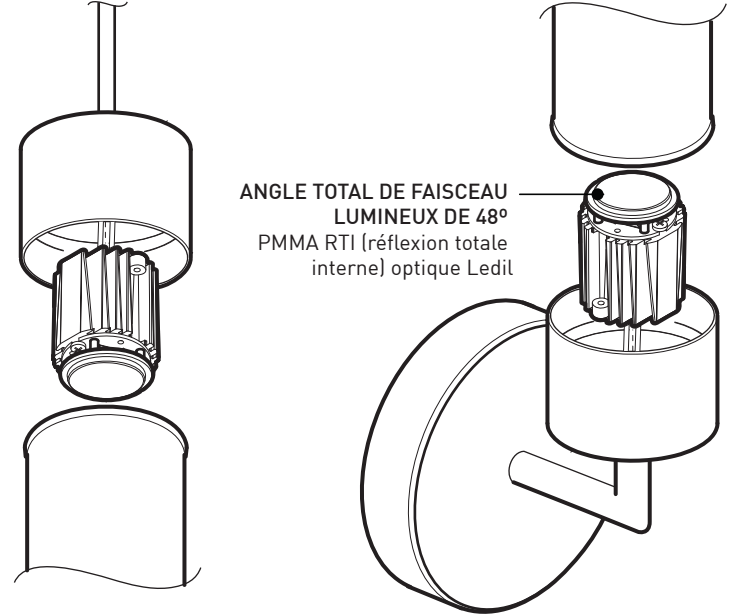


3155B 4156B
3156B

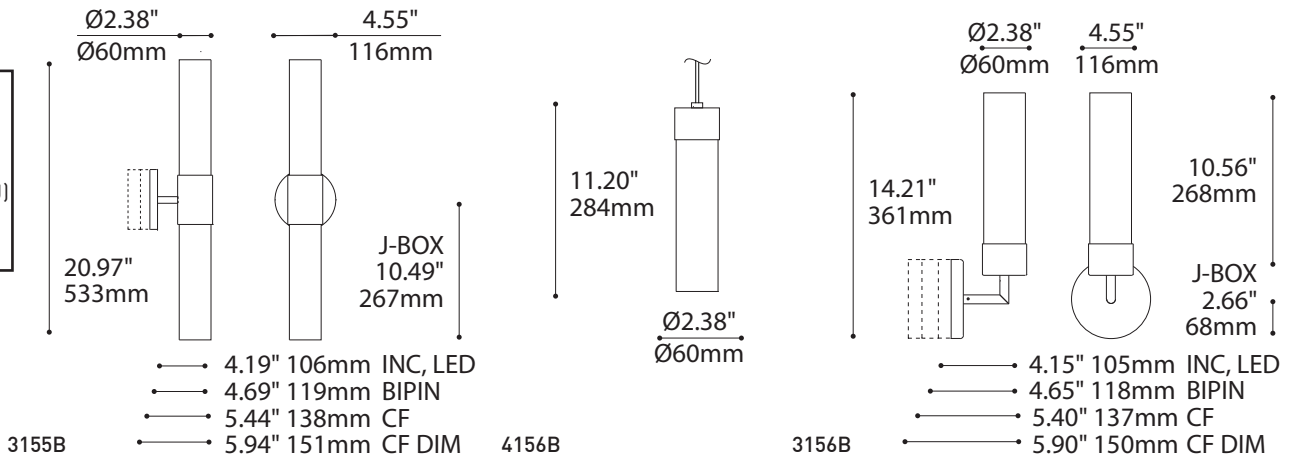
APPLIQUE MURALE 3155B-JMJ/JDJ/JDJA



SUSPENSION 4156B-JMJ/JDJ/JDJA APPLIQUE MURALE 3156B-JMJ/JDJ/JDJA



AUTRES SOURCES LUMINEUSES DISPONIBLES
Fluorescent
Halogène (pour JDJ/JMJ)
Incandescent (pour JDJ/JMJ)



SPECIFICATIONS

SOURCE LUMINEUSE
MODULE
LUMENS (ESTIMÉ)
IRC
ROHS
VOLTAGE
PILOTE
GRADATION
GARANTIE
LM-79 & CERTIFICATION

3155B DEL

2 x Nichia - total ±8 w
Reconnu par UL - fabriqué aux États-Unis
752 lm - 936 lm (4000K)
85 CRI [typique]
Conforme
120V - 240V
350 mA
Gradation phase [DP] & Gradation 0-10V [DV]
5 ans (sur les composantes électroniques)
Sur demande & reconnu par CSA

4156B /3156B DEL

1 x Nichia - total ±4 w
376 lm - 468 lm (4000K)
120V ou 277V
350 mA

SPECIFICATIONS

SOURCE LUMINEUSE
VOLTAGE

Fluorescent

CFL 13/18/26 w (x 2 pour 3155B)
120V-277V-347V, 120V pour GX23
(option de gradation disponible)

Halogène (for JDJ/JMJ)

Bipin 50 w (x 2 pour 3155B)
120V-277V

Incandescent (for JDJ/JMJ)

B10/T10 100 w (x 2 pour 3155B)
120V