

SCOUT 4049

| |
|----------------|
| PROJECT PROJÉT |
| SPEC TYPE |
| NOTES |



OPTIONS

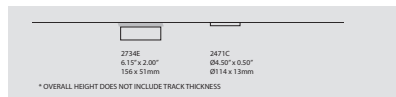


BLKE WHE LGE PGE NBE

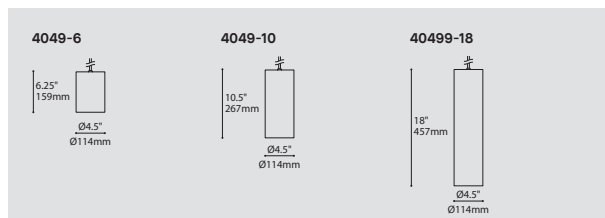
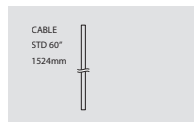
OVERALL HEIGHT HAUTEUR HORS TOUT

| | LED TRACK 1 CIRCUIT | LED 0.50" CANOPY |
|-----------------|------------------------|---------------------|
| MOUNTING | 2734E | 2471C |
| CABLE & 4049-6 | 66.95" | 69.70" |
| CABLE & 4049-10 | 71.20" | 73.95" |
| CABLE & 4049-18 | 78.70" | 81.45" |

MOUNTING OPTIONS OPTIONS DE MONTAGE



STEM OR CABLE OPTION OPTIONS DE TIGE OU CABLE

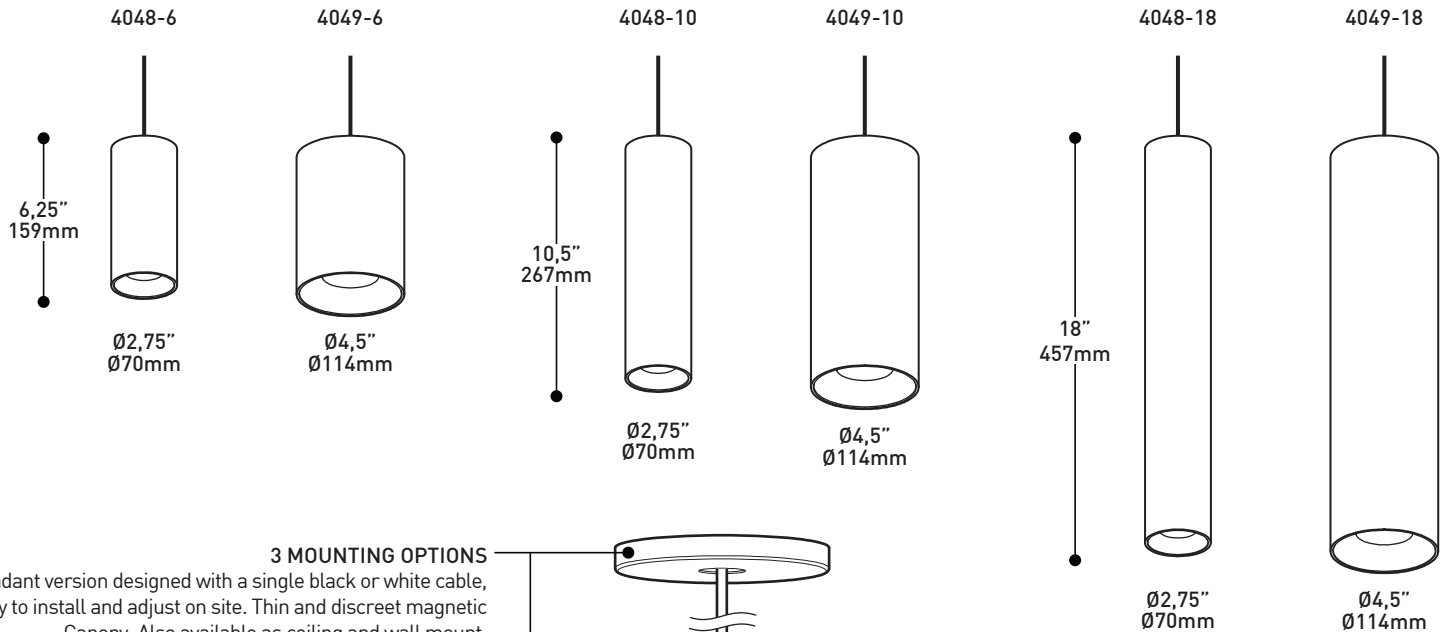


| ORDERING SPECIFICATION | SPÉCIFICATION DE COMMANDE | CODE |
|---|---|------|
| MODEL MODÈLE | | |
| 4049-6 | SCOUT 6" | |
| 4049-10 | SCOUT 10" | |
| 4049-18 | SCOUT 18" | |
| LIGHT SOURCE SOURCE LUMINEUSE | | |
| LED | REGULAR OUTPUT | |
| LED.HO | HIGH OUTPUT | |
| COLOR TEMPERATURE TEMPÉRATURE DE COULEUR | | |
| 30 | 3000K | |
| 35 | 3500K | |
| 40 | 4000K | |
| VOLTAGE VOLTAGE | | |
| 120V | 120 VOLT | |
| 277V* | 277 VOLT | |
| | *NOT AVAILABLE FOR TRACK ADAPTOR | |
| DIMMING OPTION OPTION DE GRADATION | | |
| DV* | 0-10V DIMMING (120V-277V) | |
| DP | PHASE DIMMING (120V ONLY) | |
| | LED DIMMING DRIVER IS STANDARD IN THIS PRODUCT, PLEASE SPECIFY YOUR DIMMING TYPE. *NOT AVAILABLE FOR TRACK ADAPTOR | |
| BEAM ANGLE ANGLE DE FAISCEAU | | |
| NA | NARROW | |
| ME | MEDIUM | |
| WI | WIDE | |
| OPTICAL ACCESSORIES ACCESSOIRES OPTIQUES | | |
| CLR | CLEAR GLASS LENS | |
| FRO | FROSTED GLASS LENS | |
| HON | HONEYCOMB LOUVER | |
| CABLE CABLE | | |
| C* | BLACK OR WHITE CABLE, FIELD ADJUSTABLE | C |
| | *FOR WHITE STRUCTURE: WHITE CABLE, FOR OTHER STRUCTURE FINISH: BLACK CABLE | |
| CABLE LENGTH LONGUEUR DE CABLE | | |
| 60 | 60" CABLE (STD LENGTH) | |
| ** | CUSTOM CABLE LENGTH (PLEASE SPECIFY) | |
| | FOR OVERALL LENGTH, PLEASE CONTACT YOUR EUREKA REPRESENTATIVE. | |
| MOUNTING MONTAGE | | |
| RC | ROUND CANOPY / PAVILLON ROND SCREWLESS 0.5" CANOPY (2471C) | |
| TA1 | TRACK ADAPTOR / ADAPTEUR DE RAIL 1 CIRCUIT LED DIMMING 120V ADAPTOR (2734E) | |
| TRACK ADAPTOR FINISH FINI ADAPTEUR DE RAIL^(A) | | |
| BLK | BLACK | |
| WH | WHITE | |
| | ^(A) FILL IN IF A TRACK ADAPTOR IS SELECTED, OTHERWISE LEAVE EMPTY. | |
| CANOPY FINISH FINI PAVILLON^(B) | | |
| BLKE | BLACK FINE TEXTURE | |
| WHE | WHITE FINE TEXTURE | |
| | ^(B) FILL IN IF A CANOPY IS SELECTED, OTHERWISE LEAVE EMPTY. | |
| STRUCTURE FINISH FINI STRUCTURE | | |
| BLKE | BLACK FINE TEXTURE | |
| WHE | WHITE FINE TEXTURE | |
| LGE | LIGHT GREY FINE TEXTURE | |
| PGE | PALE GREEN FINE TEXTURE | |
| NBE | NAVY BLUE FINE TEXTURE | |
| BAFFLE FINISH FINI DÉFLECTEUR | | |
| BLKE | BLACK FINE TEXTURE | |
| WHE | WHITE FINE TEXTURE | |
| ACCESSORY ACCESSOIRE | | |
| 3983 | DEEP JUNCTION BOX (PROVIDED FOR 4049-6 WITH CANOPY) | |

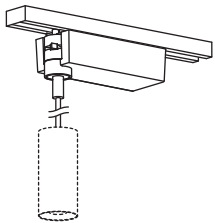
PRODUCT CHARACTERISTICS CARACTÉRISTIQUES DU PRODUIT



CERTIFIED: c-CSA-us



3 MOUNTING OPTIONS
Pendant version designed with a single black or white cable, easy to install and adjust on site. Thin and discreet magnetic Canopy. Also available as ceiling and wall mount.



Available on track, on a small track adaptor box with integrated LED Driver.

6 FORMATS & 5 FINISHES
Machined aluminum cylindrical structure, offered in textured black, white, light gray, navy blue or pale green finish.

2 BAFFLE FINISHES
White or black, two options to fit your needs.

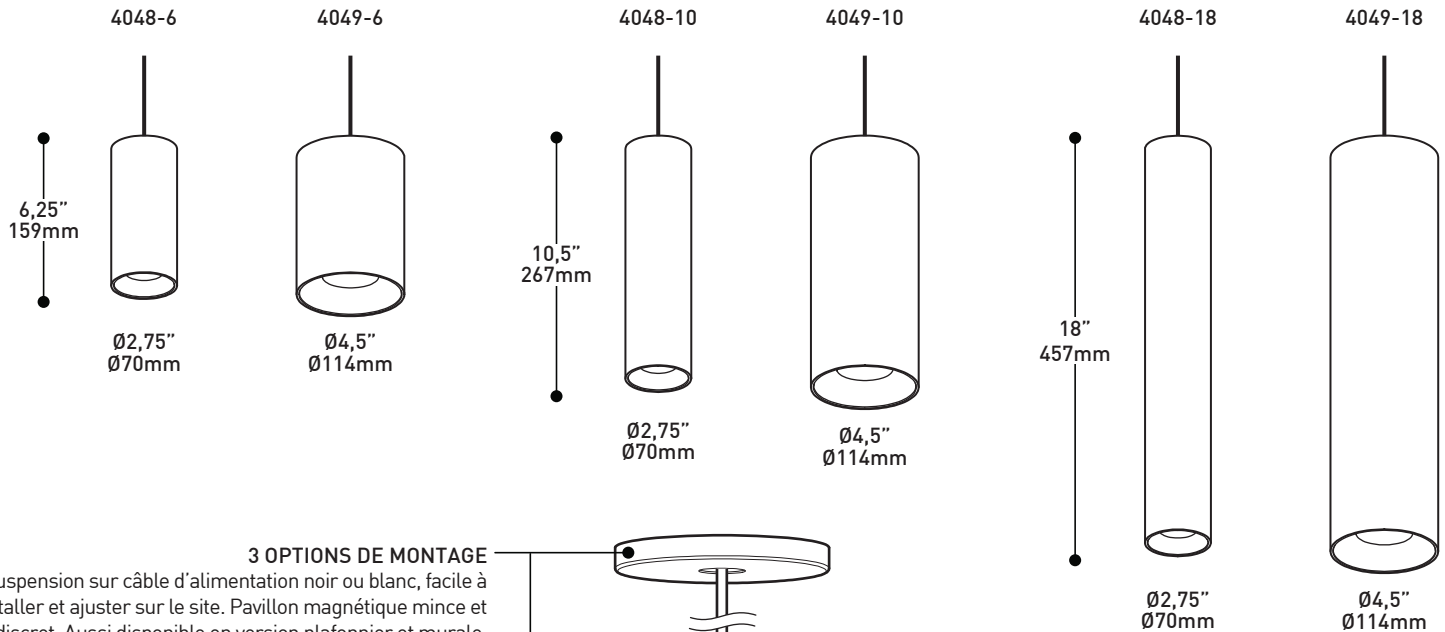
2 DIMMING TYPE
Standard phase dimming (DP) or 0-10V dimming (DV).
Integrated LED Driver (404x-10 et 404x-18).
Deep junction box (3983) included (404x-6).

2 OUTPUTS & 3 CCT
Extruded aluminum heatsink designed to efficiently offer regular and high output.

REFLECTORS & 3 OPTICAL ACCESSORIES
Narrow, medium or wide (xx49 only) beam angle reflector.
Choice of optical accessories: Clear lens, frosted lens or honeycomb louver.

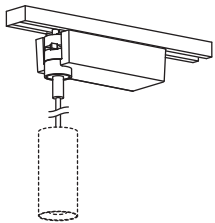
SPECIFICATIONS

| | 4048-xx (Ø2,75"/Ø70mm tube) | 4049-xx (Ø4,5"/Ø114mm tube) |
|---------------------|--|--|
| LIGHT SOURCE | COB LED REG (regular) or HO (high output), UL Recognized | COB LED REG (regular) or HO (high output), UL Recognized |
| TOTAL WATTAGE | REG 9,5W - HO 13,6W | REG 13,6W - HO 20W |
| DELIVERED LUMENS | 1051 lm (REG, 4000K, CLR), 1430 lm (HO, 4000K, CLR) | 1394 lm (REG, 4000K, CLR), 1914lm (HO, 4000K, CLR) |
| CRI | >80 CRI | |
| CCT | 3000k, 3500k or 4000k | |
| STRUCTURE | Machined aluminum tube Ø2,75"/Ø70mm | Machined aluminum tube Ø4,5"/Ø114mm |
| HEATSINK | Extruded aluminum with black anodized finish | |
| RÉFLECTOR | Polycarbonate reflector, beam angles : 24° or 45° (FWHM) | Beam angles : 28°, 48° or 64° (FWHM) |
| OPTICAL ACCESSORIES | Clear lens, frosted lens or honeycomb louver | |
| LED DRIVER | Constant current 250mA or 350mA, UL Recognized | Constant current 350mA or 500mA, UL Recognized |
| DIMMING (VOLTAGE) | Phase dimming (DP) 120V or 0-10V dimming (DV) 120-277V | |
| WARRANTY | 5 years | |



3 OPTIONS DE MONTAGE

Suspension sur câble d'alimentation noir ou blanc, facile à installer et ajuster sur le site. Pavillon magnétique mince et discret. Aussi disponible en version plafonnier et murale.



Disponible sur rail, sur une boîte minimaliste avec unité d'alimentation DEL intégrée.

6 FORMATS & 5 FINIS OFFERTS

Structure cylindrique en aluminium usiné, disponible avec finition architecturale finement texturée noire, grise pâle, blanche, bleue marine ou verte pâle.

2 FINIS DE DÉFLECTEUR

Offert en blanc ou noir, deux options pour tous vos besoins.

2 TYPES DE GRADATION

Gradation de type phase (DP) ou 0-10V (DV). Unité d'alimentation intégrée (modèles 404x-10 et 404x-18). Boîte de jonction octogonale profonde 3983 incluse (modèle 404x-6).

2 PUISSANCES & 3 TEMPÉRATURES DE COULEUR

Dissipateur thermique extrudé en aluminium efficace permettant d'offrir deux puissances différentes.

RÉFLECTEURS & 3 ACCESSOIRES OPTIQUES

Réflecteurs offrant un faisceau lumineux étroit, moyen ou large (xx49 seulement). Choix d'accessoires optiques : lentille claire, lentille givrée ou grille en nid d'abeille.

SPÉCIFICATIONS

SOURCE LUMINEUSE
 PUISSANCE TOTALE
 LUMENS RÉELS
 IRC
 CCT
 STRUCTURE
 RADIATEUR
 RÉFLECTEUR
 ACCESSOIRES OPTIQUES
 UNITÉ D'ALIMENTATION
 GRADATION (VOLTAGE)
 GARANTIE

4048-xx (tube de Ø2,75"/Ø70mm)

DEL COB REG (régulier) ou HO (haute puissance), Reconnu UL
 REG 9,5W - HO 13,6W
 1051 lm (REG, 4000K, CLR), 1430 lm (HO, 4000K, CLR)
 >80 IRC
 3000k, 3500k ou 4000k
 Tube en aluminium usiné de Ø2,75"/Ø70mm
 Aluminium extrudé fini noir anodisé
 Réflecteur en polycarbonate, angles de faisceaux : 24° ou 45° (FWHM)
 Lentille claire, lentille givrée ou grille en nid d'abeille
 Courant constant 250mA ou 350mA, reconnu UL
 Gradation de type phase (DP) 120V ou gradation 0-10V (DV) 120-277V
 5 ans

4049-xx (tube de Ø4,5"/Ø114mm)

DEL COB REG (régulier) ou HO (haute puissance), Reconnu UL
 REG 13,6W - HO 20W
 1394 lm (REG, 4000K, CLR), 1914lm (HO, 4000K, CLR)
 Angles de faisceaux : 28°, 48° ou 64° (FWHM)
 Courant constant 350mA ou 500mA, reconnu UL