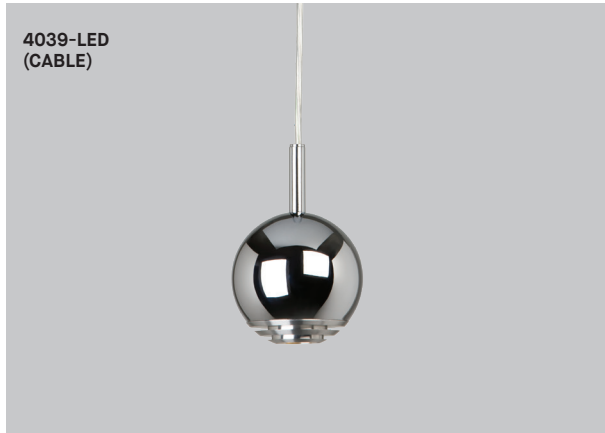


ROLO 4039

PROJECT PROJÉT
SPEC TYPE
NOTES



OVERALL HEIGHT HAUTEUR HORS TOUT

LIGHT SOURCE	HAL TRACK 1 CIRCUIT	LED TRACK 1 CIRCUIT	LED TRACK 1 CIRCUIT	HAL-LED	LED DIM
MOUNTING	2734	2734B	2734E	2401E	2403G
MODEL	2039 4039	2039 4039	2039 4039	2039 4039	2039 4039
CABLE	67.25" 66.85"	65.60" 66.20"	66.75" 68.00"	65.25" 66.95"*	65.75" 67.45"*
STEM	43.65" 42.70"	43.00" 42.05"	44.80" 43.85"	43.30" 42.80"*	43.80" 43.30"*

* FOR HAL, SUBSTRACT 0.45"

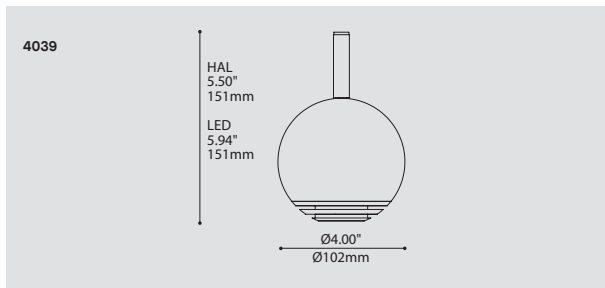
MOUNTING OPTIONS OPTIONS DE MONTAGE

2734	2734B	2734E	2401E	2403G
3.85" x 2.03"	1.46" x 1.36"	6.15" x 2.00"	Ø4.50" x 1.00"	Ø4.50" x 1.50"
98 x 52mm	37 x 35mm	156 x 51mm	Ø114 x 25mm	Ø114 x 38mm

* OVERALL HEIGHT DOES NOT INCLUDE TRACK THICKNESS

STEM OR CABLE OPTIONS OPTIONS DE TIGE OU CABLE

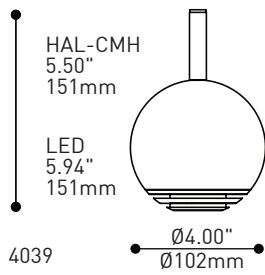
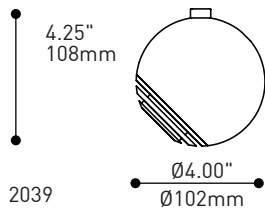
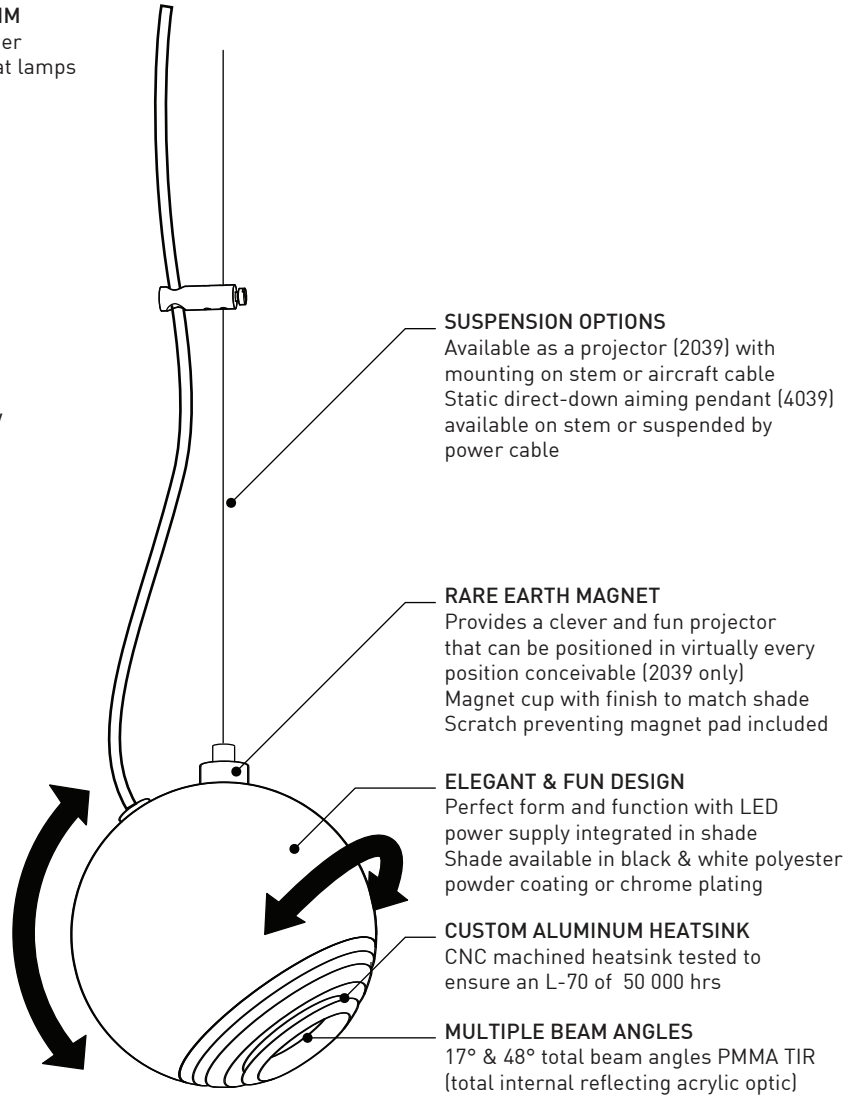
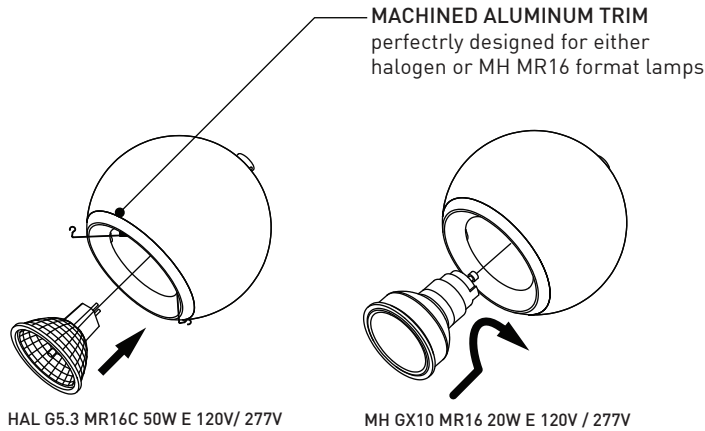
STEM	CABLE
STD 36"	STD 60"
914mm	1523mm



ORDERING SPECIFICATION	SPÉCIFICATION DE COMMANDE	CODE
MODEL MODÈLE	4039 ROLO (PENDANT)	4039
LIGHT SOURCE SOURCE LUMINEUSE	(WATTAGE, LAMP TYPE, LAMP FORM, BASE TYPE, OTHER INFO) MR16C.50 MR16C, GU5.3 BASE LED.4 4W, LED	
COLOR TEMPERATURE TEMPÉRATURE DE COULEUR	FOR LED ONLY 30 3000K 35 3500K 40 4000K	
ANGLE BEAM ANGLE DE FAISCEAU	FOR LED ONLY 17 17° 48 48°	
VOLTAGE VOLTAGE	120V 120 VOLT 277V* 277 VOLT *NOT AVAILABLE WITH A TRACK ADAPTOR	
DIMMING OPTION OPTION DE GRADATION	FOR LED ONLY DV* 0-10V DIMMING (120-277V) DP PHASE DIMMING (120V ONLY) *NOT AVAILABLE WITH A TRACK ADAPTOR	
STEM TIGE	S10 3/8" (10MM) STEM, NOT FIELD ADJUSTABLE C CLEAR CABLE, FIELD ADJUSTABLE	
STEM OR CABLE LENGTH LONGUEUR DE TIGE OU CABLE	36 36" STEM (STD LENGTH) 60 60" CABLE OR CABLE (STD LENGTH) ** CUSTOM STEM LENGTH (PLEASE SPECIFY) ** CUSTOM CABLE LENGTH (PLEASE SPECIFY) FOR OVERALL LENGTH PLEASE CONTACT YOUR EUREKA REPRESENTATIVE.	
MOUNTING MONTAGE	RC ROUND CANOPY / PAVILLON ROND FOR HAL & LED: 1.00" CANOPY (2401E) FOR DIMMING LED & LED 4W 277V: 1.75" CANOPY (2403G) TA1 TRACK ADAPTOR / ADAPTEUR DE RAIL 1 CIRCUIT HAL 120/12V ADAPTOR (2734) LED 120V ADAPTOR (2734B) LED DIMMING 120V ADAPTOR (2734E)	
MOUNTING OPTION OPTION DE MONTAGE	SCA* SLOPE CEILING ADAPTOR / ADAPTEUR DE PLAFOND EN PENTE (ROTATION: 350°, PIVOT: 90°) *ONLY AVAILABLE WITH A STEM	
TRACK ADAPTOR FINISH FINI ADAPTEUR DE RAIL ^(A)	WH WHITE BLK BLACK M G METALLIC GRAY (2734, 2734B) ^(A) FILL IN IF A TRACK ADAPTOR IS SELECTED, OTHERWISE LEAVE EMPTY	
STRUCTURE FINISH FINI STRUCTURE	BLK BLACK CHR CHROME WH WHITE	
CANOPY FINISH FINI PAVILLON ^(B)	BLK BLACK CHR CHROME WH WHITE ^(B) IF NO FINISH IS SELECTED, CANOPY FINISH WILL BE THE SAME AS STRUCTURE FINISH	
HEATSINK FINISH FINI RADIATEUR	SAA SATIN ALUMINUM ANODIZED	SAA

PRODUCT CHARACTERISTICS CARACTÉRISTIQUES DU PRODUIT





SPECIFICATIONS

LIGHT SOURCE
MODULE
LUMENS (ESTIMATED)
CRI
MAGNET / CUP
HOUSING
HEATSINK / TRIM
LIGHT DISTRIBUTION
OPTICS
VOLTAGE
DRIVER / CONVERTER
DIMMING
LM-79
WARRANTY

LED.4.XX.XX

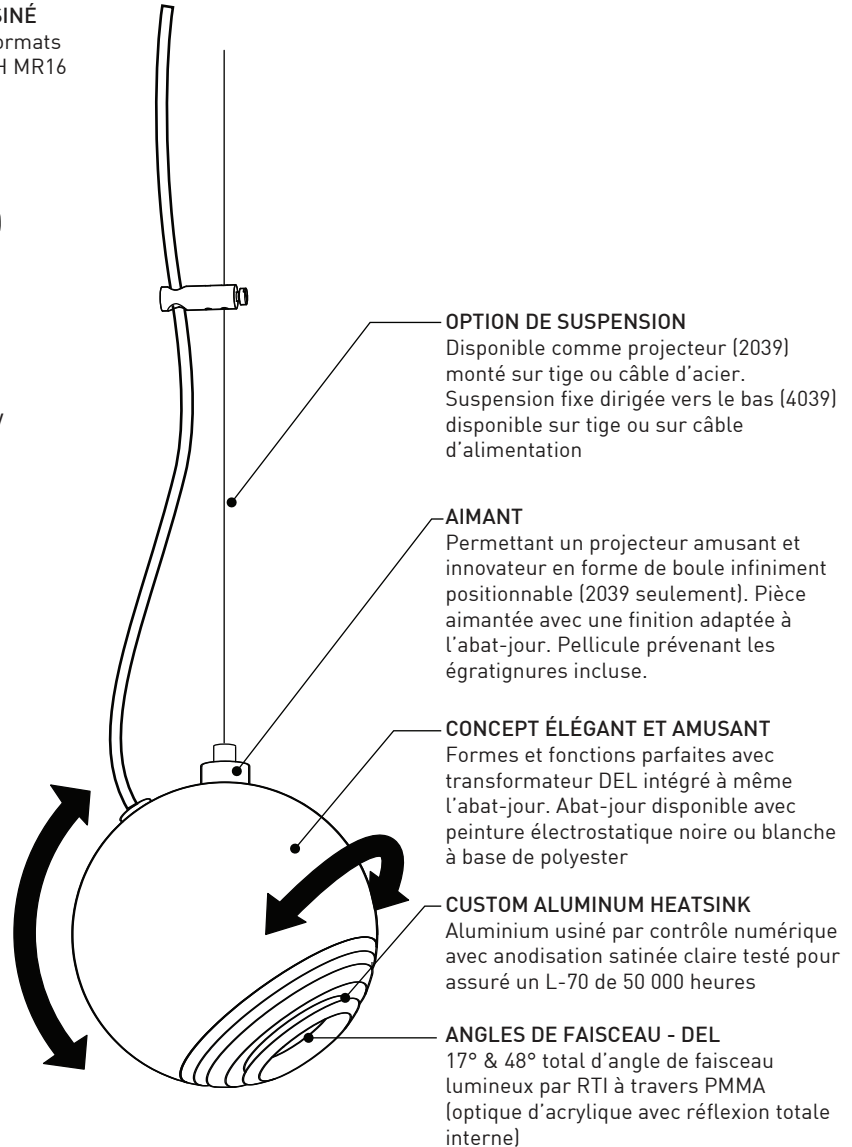
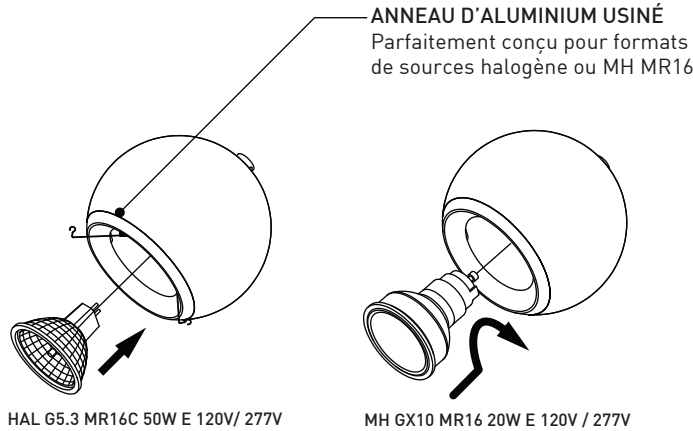
4 x Nichia - total ±4 w
UL recognized - made in USA
365 lm - 340 lm (4000K)
84 CRI (typical)
Machined steel cup and rare-earth magnet (9lbs strength) with 0.010" thk UHMW polyethylene glide pad
Ø4" Progressive Die-formed steel shade with black or white polyester powder coated finish or chrome plating
Custom designed clear anodized CNC machined aluminium - L70 estimated 50 000 hrs
Directional projector (2039) or Direct (4039)
LEDIL TIR - 17° & 48° total beam angle
120V or 277V (not available in LED or with track adaptor)
350 mA
Phase dimming (DP) or 0-10V dimming (DV)
On request
5 years

CMH .MR16.20

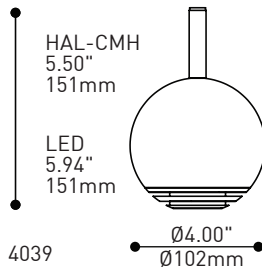
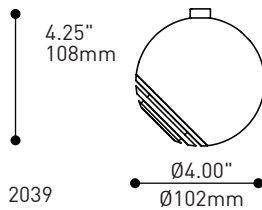
20W Ceramic Metal Halide MR16
Electronic HID ballast
None
2 years

MR16C.50

50W MR16 Halogen
Elect. Transfo.
w/ ELV dimmer
2 years



RECOGNIZED WINNER



SPÉCIFICATIONS

	DEL.4.XX.XX	CMH.MR16.20	MR16C.50
SOURCE LUMINEUSE	4 x Nichia - total ±4 w	20W Metal Halide Céramique MR16	50W MR16 Halogène
MODULE	Reconnu par UL - fabriqué aux États-Unis		
LUMENS (ESTIMÉ)	365 lm - 340 lm (4000K)		
IRC	84 IRC (typique)		
AIMANT	Embout d'acier usiné et aimant (force de 9 lbs) avec pellicule UHMW polyéthylène de 0.010"		
HOUSING	Abat-jour de Ø4" en acier progressivement embouti avec peinture électrostatique noire ou blanche à base de polyester		
RADIATEUR / ANNEAU	Concept personnalisé d'aluminium anodisé et usiné par contrôle numérique - L70, 50 000 heures estimées		
DISTRIBUTION LUMINEUSE	Projecteur directionnel (2039) ou direct (4039)		
OPTIQUES	LEDIL RTI - angle de faisceau total de 17° & 48°		
VOLTAGE	120V ou 277V (non disponible en version DEL ou avec système de rails)		
PILOTE / CONVERTISSEUR	350 mA	Ballast électronique HID	Transfo. Elect.
GRADATION	Gradation phase (DP) ou Gradation 0-10V (DV)	N/A	Avec ELV à gradation
LM-79	Sur demande		
GARANTIE	5 ans	2 ans	2 ans