

STUBBY STACK 4038

| |
|----------------|
| PROJECT PROJÉT |
| SPEC TYPE |
| NOTES |



OPTIONS



OVERALL HEIGHT HAUTEUR HORS TOUT

| LIGHT SOURCE | HAL TRACK 1 CIRCUIT | INC TRACK 1 CIRCUIT | LED TRACK 1 CIRCUIT | INC-HAL -LED | LED DIM | CMH ELEC |
|--------------|---------------------|---------------------|---------------------|--------------|---------|----------|
| MOUNTING | 2734 | 2734B | 2734E | 2401E | 2403G | 2402G |
| STEM | 42.80" | 42.15" | 43.95" | 41.80" | 42.30" | 43.30" |

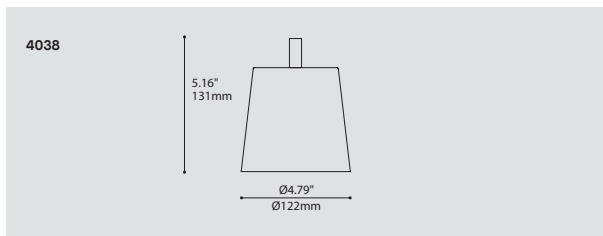
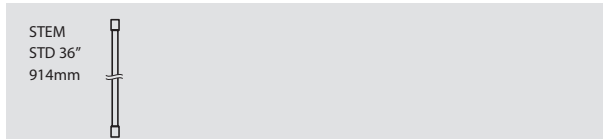
FOR 2038, ADD 1.50" (FOR SWIVEL)

MOUNTING OPTIONS OPTIONS DE MONTAGE

| 2734 | 2734B | 2734F | 2401E | 2403G |
|----------------------------|----------------------------|-----------------------------|-------------------------------|-------------------------------|
| 3.85" x 2.03" 98 x 52mm | 1.46" x 1.36" 37 x 35mm | 6.60" x 1.77" 168 x 45mm | Ø4.50" x 1.00" Ø114 x 25mm | Ø4.50" x 1.75" Ø114 x 44mm |

* OVERALL HEIGHT DOES NOT INCLUDE TRACK THICKNESS

STEM OR CABLE OPTIONS OPTIONS DE TIGE OU CABLE



ORDERING SPECIFICATION SPÉCIFICATION DE COMMANDE

MODEL MODÈLE **4038**

4038 STUBBY STACK (PENDANT)

LIGHT SOURCE SOURCE LUMINEUSE

| (WATTAGE, LAMP TYPE, LAMP FORM, BASE TYPE, OTHER INFO) | |
|--|--|
| MR16C.50 | 50W, HAL, MR16C, GU5.3 BASE |
| GZ10.50 | 50W, HAL, MR16, GZ10 BASE (120V ONLY) |
| PAR20.50 | 50W, INC, PAR20, MEDIUM BASE (120V ONLY) |
| LED.4 | 4W, LED |

COLOR TEMPERATURE TEMPÉRATURE DE COULEUR

| FOR LED ONLY | |
|--------------|-------|
| 30 | 3000K |
| 35 | 3500K |
| 40 | 4000K |

VOLTAGE VOLTAGE

| | |
|-------|----------|
| 120V | 120 VOLT |
| 277V* | 277 VOLT |

*NOT AVAILABLE WITH A TRACK ADAPTOR

DIMMING OPTION OPTION DE GRADATION

| FOR LED ONLY | |
|--------------|---------------------------|
| DV* | 0-10V DIMMING (120-277V) |
| DP | PHASE DIMMING (120V ONLY) |

*NOT AVAILABLE WITH A TRACK ADAPTOR

STEM TIGE

| | |
|----|-----------------------------------|
| S6 | 1/4" (6MM) STEM, FIELD ADJUSTABLE |
|----|-----------------------------------|

STEM LENGTH LONGUEUR DE TIGE

| | |
|----|--------------------------------------|
| 36 | 36" STEM (STD LENGTH) |
| ** | CUSTOM STEM LENGTH (PLEASE SPECIFY)* |

FOR OVERALL LENGTH PLEASE CONTACT YOUR EUREKA REPRESENTATIVE.

MOUNTING MONTAGE

| | |
|-----|---|
| RC | ROUND CANOPY / PAVILLON ROND FOR INC, HAL & LED: 1.00" CANOPY (2401E) FOR DIMMING LED: 1.75" CANOPY (2403G) |
| TA1 | TRACK ADAPTOR / ADAPTATEUR DE RAIL 1 CIRCUIT HAL 120/12V ADAPTOR (2734) INC, GZ10 120V ADAPTOR (2734B) LED DIMMING & NON-DIMMING 120V ADAPTOR (2734E) |

MOUNTING OPTION OPTION DE MONTAGE

| | |
|-----|---|
| SCA | SLOPE CEILING ADAPTOR / ADAPTATEUR DE PLAFOND EN PENTE (ROTATION: 350°, PIVOT: 90°) |
|-----|---|

TRACK ADAPTOR FINISH FINI ADAPTATEUR DE RAIL (A)

| | |
|-----|----------------------------------|
| WH | WHITE |
| BLK | BLACK |
| M G | METALLIC GRAY (2734, 2734B ONLY) |

(A) FILL IN IF A TRACK ADAPTOR IS SELECTED, OTHERWISE LEAVE EMPTY

STRUCTURE FINISH FINI STRUCTURE (B)

| | |
|-----|--------|
| BLK | BLACK |
| CHR | CHROME |
| WH | WHITE |

(B) INCLUDE CANOPY FINISH IF A CANOPY IS SELECTED

BAFFLE FINISH FINI DÉFLECTEUR

| | |
|-----|-------|
| BLK | BLACK |
| WH | WHITE |

PRODUCT CHARACTERISTICS CARACTÉRISTIQUES DU PRODUIT



| | |
|-------------------|---|
| DESIGN: | Contrasting and versatile, the Stubby Stack pendant and projector have a perfectly formed slender design. |
| LIGHT SOURCE: | LED and other light sources available. |
| STRUCTURE: | Double layered die-formed steel shade with chrome plated or polyester powder finish. |
| CERTIFIED: | c-CSA-us |
| CONCEPTION: | Forme mince, contrastante et polyvalente disponible en suspension ou projecteur |
| SOURCE LUMINEUSE: | DEL et autres sources disponibles |
| STRUCTURE: | Abat-jour en deux épaisseurs d'acier embouti avec fini chromé ou peinture électrostatique à base de polyester |
| CERTIFIÉ: | c-CSA-us |

ANATOMY

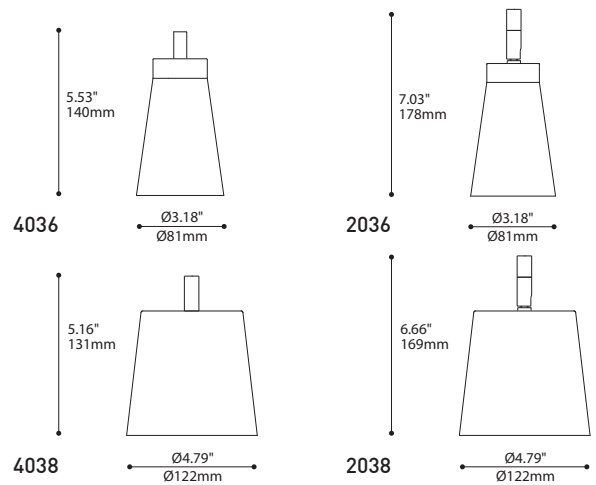
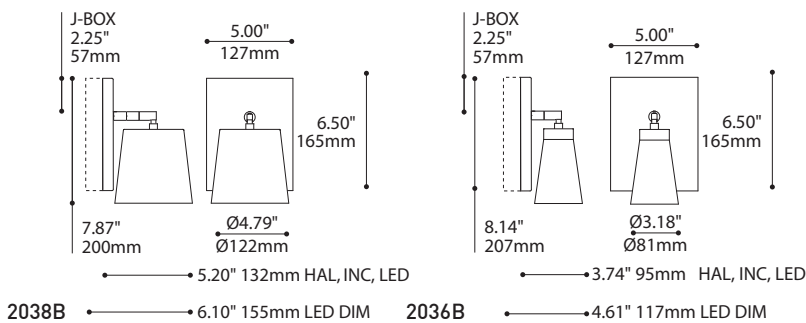
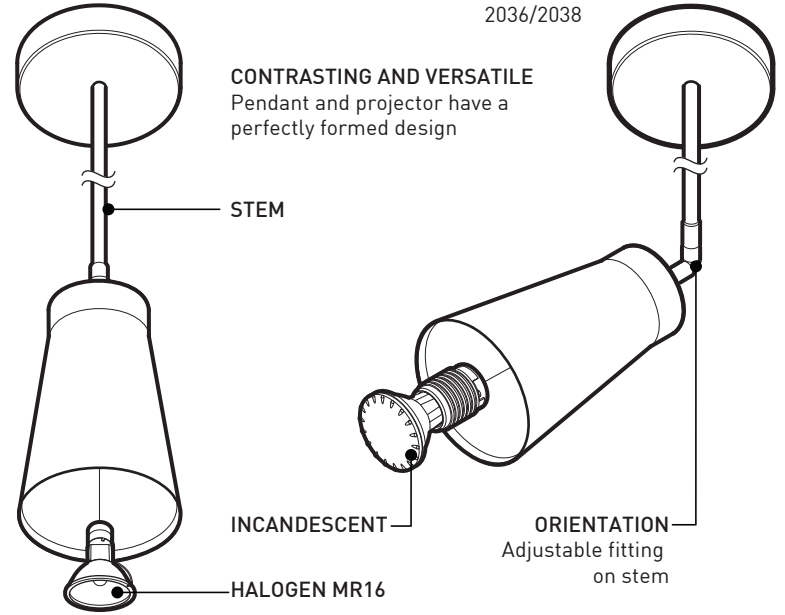
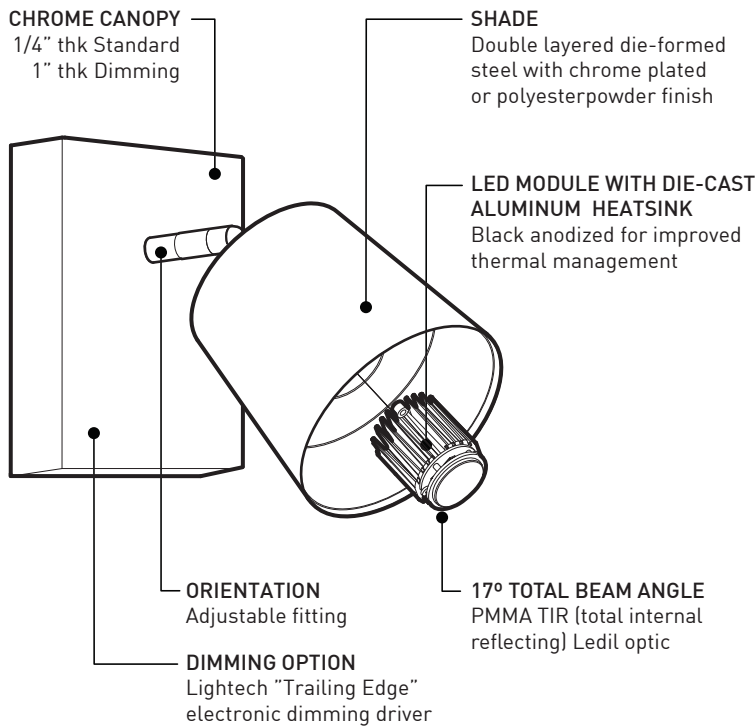


SLIM/STUBBY STACK

2036B/2038B

4036/4038

2036/2038



SPECIFICATIONS

| | LED | HALOGEN | INCANDESCENT |
|--------------------|---|--|------------------------------|
| LIGHT SOURCE | 4 x Nichia - total ±4 w | MR16C, GU5.3 Base/MR16, GZ10 Base- 50W | INC, PAR20, Medium Base- 50W |
| MODULE | UL recognized - made in USA | N/A | N/A |
| LUMENS (ESTIMATED) | 376 lm - 468 lm (4000K) | N/A | N/A |
| CRI | 85 CRI (typical) | N/A | N/A |
| ROHS | Compliant | | |
| HOUSING | Die-formed steel | | |
| HEATSINK | Black anodized aluminium | N/A | N/A |
| LIGHT DISTRIBUTION | Directional projector (203X(B))/Direct (403X) | | |
| OPTICS | LEDIL TIR - 17° total beam angle | N/A | N/A |
| VOLTAGE | 120V or 277V | 120V (MR16), 120V or 277V (MR16C) | 120V |
| DRIVER | 350 mA | Electronic low voltage transformer | N/A |
| DIMMING | Phase dimming (DP) or 0-10V dimming (DV) | Dimmable | Dimmable |
| LM-79 | On request | | |
| WARRANTY | 5 years (on electronic components) | 3-5 years (on transformer, depending | |
| CERTIFICATION | CSA recognized | of the transformer) | |

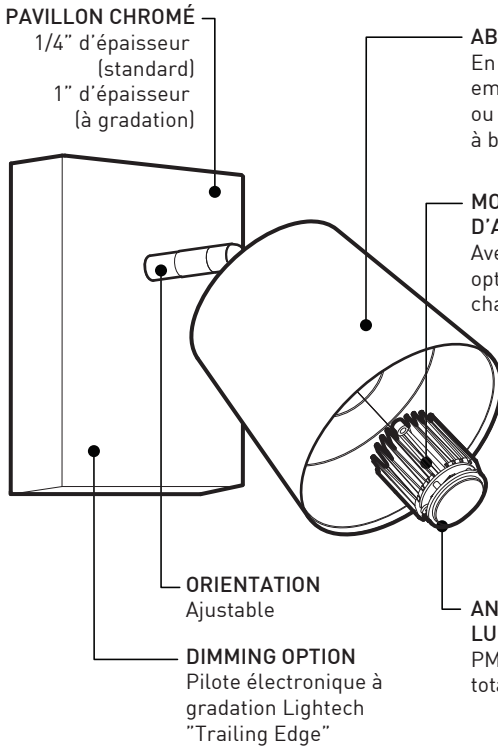


225 de Liège Ouest, Suite #200
 Montréal (QC), Canada H2P 1H4
 Tel : 514.385.3515 Fax : 514.385.4169
www.eurekalighting.com

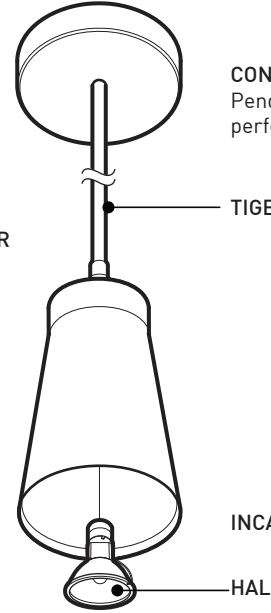


2036B 4036 2036
2038B 4038 2038

2036B/2038B

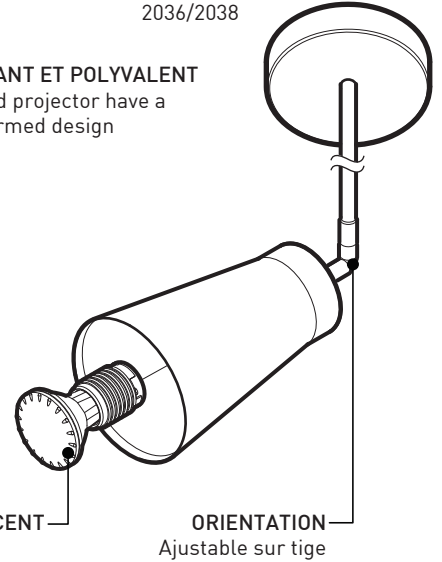


4036/4038

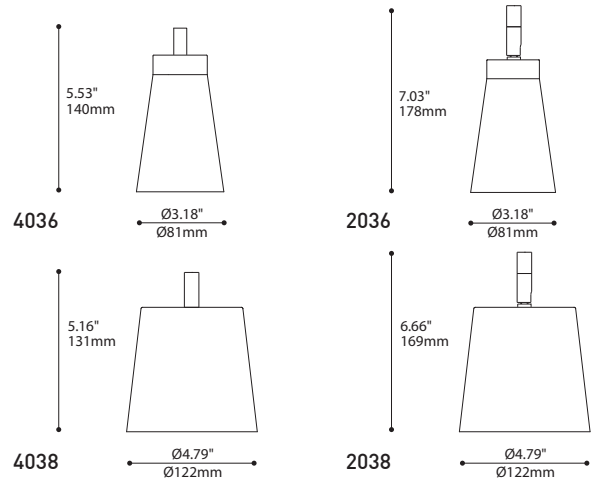
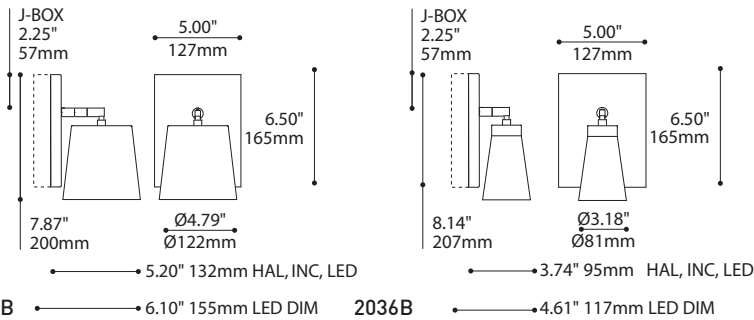


2036/2038

CONTRASTANT ET POLYVALENT
Pendant and projector have a perfectly formed design



ANGLE TOTAL DE FAISCEAU LUMINEUX DE 17°
PMMA RTI (réflexion totale interne) optique Ledil



SPÉCIFICATIONS

| | DEL | HALOGÈNE | INCANDESCENT |
|------------------------|--|--|-------------------------------|
| SOURCE LUMINEUSE | 4 x Nichia - total ±4 w | MR16C, GU5.3 Base/MR16, GZ10 Base- 50W | INC, PAR20, Base moyenne- 50W |
| MODULE | Reconnu par UL - Fabriqué aux États-Unis | N/A | N/A |
| LUMENS (ESTIMÉ) | 376 lm - 468 lm (4000K) | N/A | N/A |
| IRC | 85 IRC (typique) | N/A | N/A |
| ROHS | Conforme | | |
| RADIATEUR | Aluminium anodisé noir | N/A | N/A |
| DISTRIBUTION LUMINEUSE | Direct | | |
| OPTIQUE | LEDIL TIR- angle total de faisceau de 17° | N/A | N/A |
| VOLTAGE | 120V ou 277V | 120V (MR16), 120V ou 277V (MR16C) | 120V |
| PILOTE | 350 mA | Transformateur électronique à bas voltage | N/A |
| GRADATION | Gradation phase (DP) ou Gradation 0-10V (DV) | Intensité variable | Intensité variable |
| LM-79 | Sur demande | | |
| GARANTIE | 5 ans (sur les composantes électroniques) | 3-5 ans (sur le transformateur, selon le transformateur) | |
| CERTIFICATION | Reconnu par CSA | | |