

SILENE 4034-WQ

PROJECT PROJÉT
SPEC TYPE
NOTES



OVERALL HEIGHT HAUTEUR HORS TOUT

LIGHT SOURCE	HAL TRACK 1 CIRCUIT	INC TRACK 1 CIRCUIT	INC TRACK 2 CIRCUIT	INC HAL	CFL-CMH	CFL DIM
MOUNTING	2734	2734B	2764B	2401E	2402G	2402J
CABLE	70.65"	70.00"	70.60"	69.65"	70.40"	46.90"
STEM	46.15"	45.55"	46.10"	45.15"	45.90"	46.40"

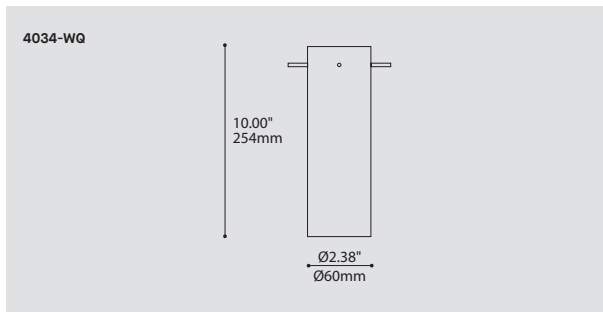
MOUNTING OPTIONS OPTIONS DE MONTAGE

2734	2734B	2764B	2401E	2402G	2402J
3.85" x 2.03" 98 x 52mm	1.46" x 1.36" 37 x 35mm	3.29" x 1.96" 84 x 48mm	Ø4.5" x 1" Ø114 x 25mm	Ø5.25" x 1.75" Ø133 x 44mm	Ø5.25" x 2.25" Ø133 x 57mm

* OVERALL HEIGHT DOES NOT INCLUDE TRACK THICKNESS

STEM OR CABLE OPTIONS OPTIONS DE TIGE OU CABLE

STEM STD 36" 914mm	CABLE STD 60" 1523mm
--------------------------	----------------------------



ORDERING SPECIFICATION SPÉCIFICATION DE COMMANDE

MODEL MODÈLE	4034-WQ
--------------	---------

4034-WQ	SILENE
---------	--------

LIGHT SOURCE SOURCE LUMINEUSE

(WATTAGE, LAMP TYPE, LAMP FORM, BASE TYPE, OTHER INFO)

CF.D.13*		13W, CFL, DOUBLE TWIN TUBE, G24Q1 BASE
CF.D.18*		18W, CFL, DOUBLE TWIN TUBE, G24Q2 BASE
CF.D.26*		26W, CFL, DOUBLE TWIN TUBE, G24Q3 BASE
BIPIN.50		50W, HAL, BIPIN, GY6.35 BASE
INC.100		100W, INC, B10 / HAL T10, MEDIUM BASE (120V ONLY)

*NOT AVAILABLE WITH A TRACK ADAPTOR
**ONLY AVAILABLE WITH CF.D.13, CF.D.18 AND CF.D.26 (NON-DIMMING BALLAST)

VOLTAGE VOLTAGE

120V	120 VOLT
277V*	277 VOLT
347V**	347 VOLT

*NOT AVAILABLE WITH A TRACK ADAPTOR
**ONLY AVAILABLE WITH CF.D.13, CF.D.18 AND CF.D.26 (NON-DIMMING BALLAST)

DIMMING OPTION OPTION DE GRADATION

AVAILABLE WITH CF.D.18 AND CF.D.26 ONLY, MAXIMUM 36" STEM / CABLE LENGTH

DED	LUTRON ECOSYSTEM ELECTRONIC DIMMING BALLAST (ECOSYSTEM DIGITAL LINK WIRING)
DE3	LUTRON ECOSYSTEM ELECTRONIC DIMMING BALLAST (3-WIRE WIRING)

STEM OR CABLE TIGE OU CABLE

S6	1/4" (6MM) STEM, FIELD ADJUSTABLE (NOT AVAILABLE WITH CFL LAMPS)
S10	3/8" (10MM) STEM, NOT FIELD ADJUSTABLE (FOR CFL LAMPS ONLY)
C	CLEAR CABLE, FIELD ADJUSTABLE

STEM OR CABLE LENGTH LONGUEUR DE TIGE OU CABLE

36	36" STEM (STD LENGTH)
60	60" CABLE (STD LENGTH)
**	CUSTOM STEM LENGTH (PLEASE SPECIFY)
**	CUSTOM CABLE LENGTH (PLEASE SPECIFY)

FOR OVERALL LENGTH PLEASE CONTACT YOUR EUREKA REPRESENTATIVE

MOUNTING MONTAGE

RC		ROUND CANOPY / PAVILLON ROND FOR INC & HAL: 1" CANOPY (2401E) FOR CFL: 1.75" CANOPY (2402G) FOR DIMMING CFL: 2.25" CANOPY (2402J)
TA1		TRACK ADAPTOR / ADAPTEUR DE RAIL 1 CIRCUIT HAL 120V/12V ADAPTOR (2734) INC 120V ADAPTOR (2734B)

MOUNTING OPTION OPTION DE MONTAGE

SCA*	SLOPE CEILING ADAPTOR / ADAPTEUR DE PLAFOND EN PENTE (ROTATION: 350°, PIVOT: 90°)
------	---

*ONLY AVAILABLE WITH A STEM

TRACK ADAPTOR FINISH FINI ADAPTEUR DE RAIL^(A)

WH	WHITE
BLK	BLACK
M G	METALLIC GRAY (1 CIRCUIT ONLY)

^(A) FILL IN IF A TRACK ADAPTOR IS SELECTED, OTHERWISE LEAVE EMPTY

STRUCTURE FINISH FINI STRUCTURE^(B)

BLK	BLACK
CHR	CHROME
S C	SATIN CHROME
ACB	ANTIQUE COPPER BLACKENED

^(B) INCLUDE CANOPY FINISH IF A CANOPY IS SELECTED

DIFFUSER FINISH FINI DIFFUSEUR

WH	WHITE
----	-------

PRODUCT CHARACTERISTICS CARACTÉRISTIQUES DU PRODUIT

BIM **DIM** **IES**

DESIGN:	Contemporary classic glass pendant may be mounted on track, canopy or sloped ceiling adaptor.
INSTALLATION:	Cable or 6mm stem (2801) field adjustable; 10mm stem (2805) (not field adjustable).
STRUCTURE:	Die-stamped steel and tubular steel structure with plated finish.
DIFFUSER:	Hand blown white triplex glass.
CERTIFIED:	c-CSA-us