

ALVER 4020-MCC

PROJECT PROJET

SPEC TYPE

NOTES



OVERALL HEIGHT HAUTEUR HORS TOUT

LIGHT SOURCE	INC TRACK 1 CIRCUIT	LED TRACK 1 CIRCUIT	LED*	INC-LED*	LED DIM*
MOUNTING	2734B	2734E	2401C	2401E	2403G
STEM	42.47"	44.18"	42.73"	43.23"	43.98"
CABLE	65.20"	66.90"	65.45"	65.95"	66.70"

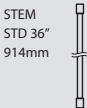
FOR 2020 ADD 1.88" (FOR SWIVEL)
*FOR LED & NO STEM / STEM ≤ 12IN- CANOPY 2401C + ACCESSORY 3983

MOUNTING OPTIONS OPTIONS DE MONTAGE

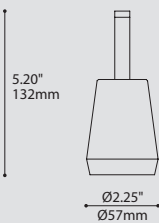
2734B	2734E	2401C	2401E	2403G
1.46" x 1.36" 37 x 35mm	6.15" x 2.00" 156 x 51mm	Ø4.50" x 0.50" Ø114 x 13mm	Ø4.50" x 1.00" Ø114 x 25mm	Ø4.50" x 1.75" Ø114 x 44mm

* OVERALL HEIGHT DOES NOT INCLUDE TRACK THICKNESS

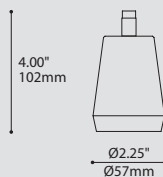
STEM OPTIONS OPTIONS DE TIGE



4020-CABLE



4020-STEM



ORDERING SPECIFICATION SPÉCIFICATION DE COMMANDE

CODE

MODEL MODÈLE

4020-MCC ALVER (SUSPENDED)

4020-MCC

LIGHT SOURCE SOURCE LUMINEUSE

(WATTAGE, LAMP TYPE, OTHER INFO)

INC.60 60W, INC, A19 / B10 / G30 / HAL T10, MEDIUM BASE (120V ONLY)
LED.4 4W, LED

COLOR TEMPERATURE TEMPÉRATURE DE COULEUR

FOR LED ONLY

30 3000K
35 3500K
40 4000K

ANGLE BEAM ANGLE DE FAISCEAU

FOR LED ONLY

17 17°
48 48°

VOLTAGE VOLTAGE

120V 120 VOLT
277V* 277 VOLT
*NOT AVAILABLE WITH A TRACK ADAPTOR

DIMMING OPTION OPTION DE GRADATION

FOR LED ONLY

DV* 0-10V DIMMING (120-277V)
DP PHASE DIMMING (120V ONLY)
*NOT AVAILABLE WITH A TRACK ADAPTOR

STEM OR CABLE TIGE OU CABLE

S6 1/4" (6MM) STEM, FIELD ADJUSTABLE
C CLEAR CABLE, FIELD ADJUSTABLE

STEM OR CABLE LENGTH LONGUEUR DE TIGE OU CABLE

36 36" STEM (STD LENGTH)
60 60" CABLE (STD LENGTH)
** CUSTOM STEM LENGTH (PLEASE SPECIFY)*
** CUSTOM CABLE LENGTH (PLEASE SPECIFY)*
FOR OVERALL LENGTH PLEASE CONTACT YOUR EUREKA REPRESENTATIVE.
*3983 ACCESSORY PROVIDED FOR LED WITH STEM OR CABLE ≤ 12"

MOUNTING MONTAGE

RC



ROUND CANOPY / PAVILLON ROND
FOR LED & STEM/CABLE ≤ 12": 0.50" CANOPY (2401C)
FOR INC & LED: 1.00" CANOPY (2401E)
FOR DIMMING LED: 1.75" CANOPY (2403G)

TA1



TRACK ADAPTOR / ADAPTEUR DE RAIL
1 CIRCUIT
INC 120V ADAPTOR (2734B)
LED DIMMING & NON-DIMMING 120V ADAPTOR (2734E)

MOUNTING OPTION OPTION DE MONTAGE

SCA* SLOPE CEILING ADAPTOR / ADAPTEUR DE PLAFOND EN PENTE (ROTATION: 350°, PIVOT: 90°)
*ONLY AVAILABLE WITH A STEM

TRACK ADAPTOR FINISH FINI ADAPTEUR DE RAIL^(A)

WH WHITE
BLK BLACK
M G METALLIC GRAY (2734B ONLY)

^(A) FILL IN IF A TRACK ADAPTOR IS SELECTED, OTHERWISE LEAVE EMPTY

STRUCTURE FINISH FINI STRUCTURE

BLK BLACK
CHR CHROME

CUP FINISH FINI COUPE

BLK BLACK
CHR CHROME

ACCESSORY ACCESSOIRE

3983 DEEP JUNCTION BOX (PROVIDED FOR LED WITH STEM ≤ 12" AS PER ABOVE)

PRODUCT CHARACTERISTICS CARACTÉRISTIQUES DU PRODUIT



ANATOMY

BIM

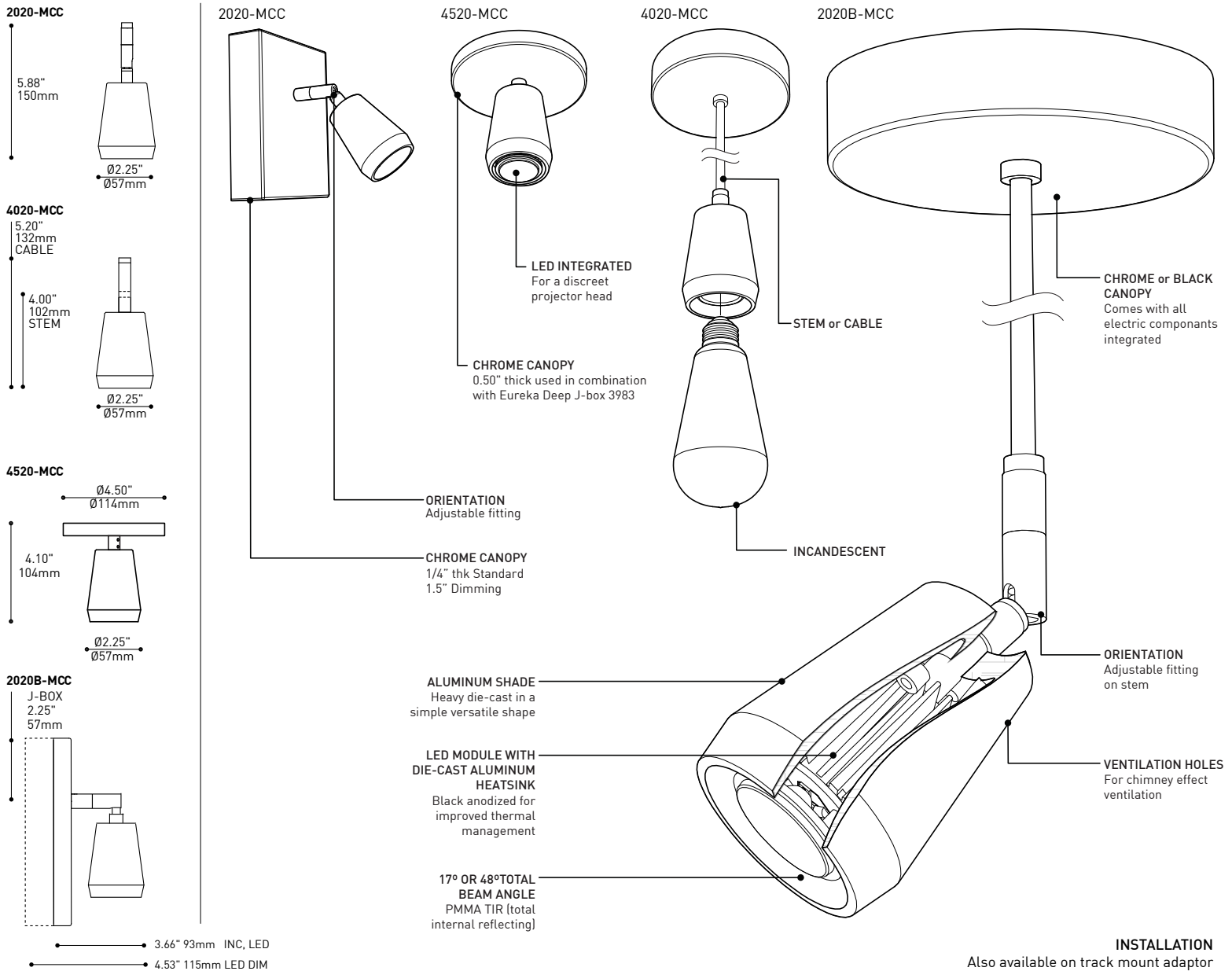
DIM

IES

LED



ALVER



INSTALLATION

Also available on track mount adaptor

SPECIFICATIONS

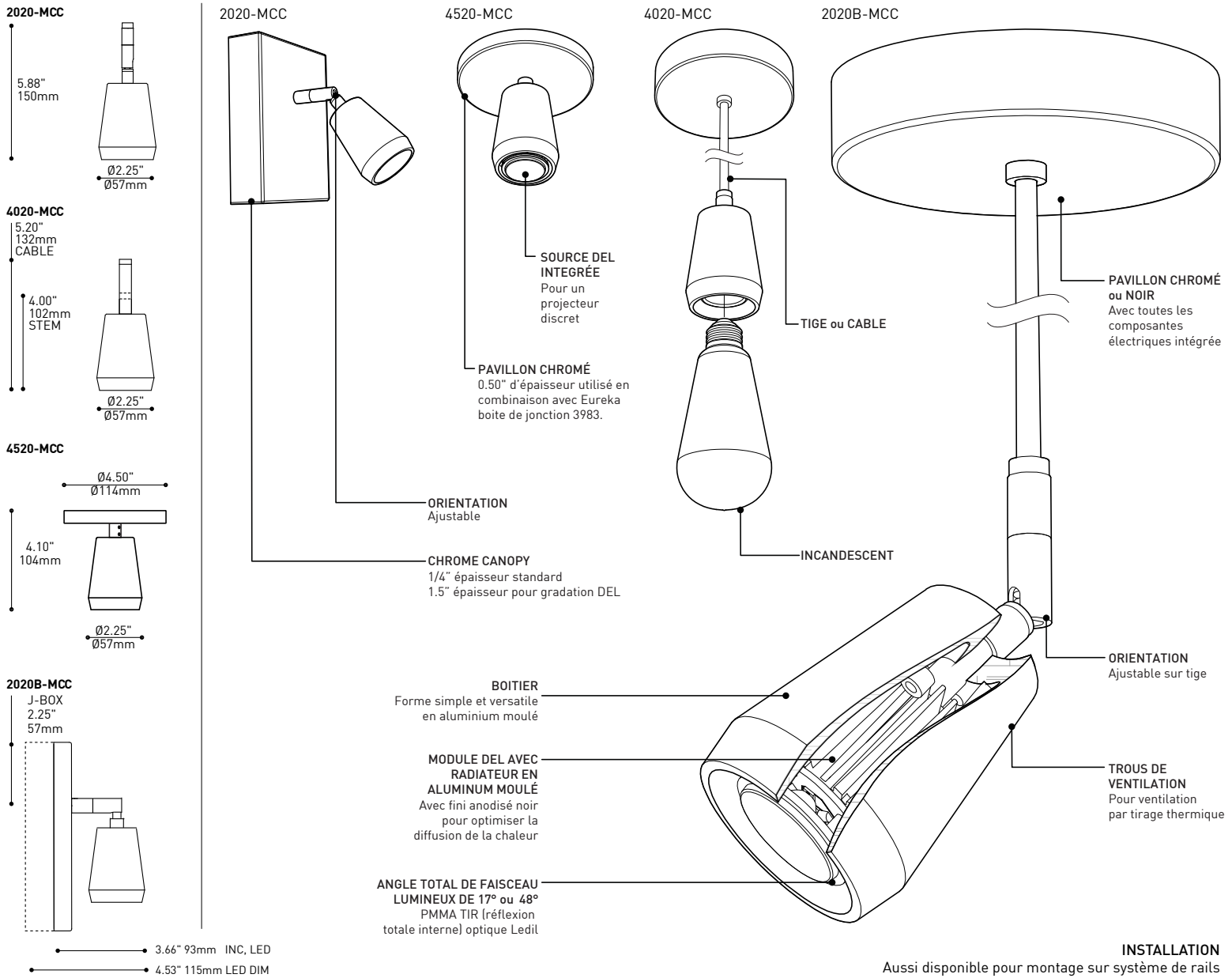
	LED	INCANDESCENT
LIGHT SOURCE	4 x high powered LEDs on MCPCB - total ±4 w	Inc Medium Base - 60W
MODULE	UL recognized - made in USA	N/A
DELIVERED LUMENS	330 lm - 350 lm (4000K)	N/A
CRI	80 CRI (typical)	N/A
HOUSING	Die-cast aluminum	
HEATSINK	Black anodized aluminium	N/A
LIGHT DISTRIBUTION	Directional projector (2020[B])/Direct (4020)	
OPTICS	Total Internal Reflection (TIR) of 17° & 48° beam angle	N/A
VOLTAGE	120V (DP) or 120-277V (DV or non-dimming)	120V
DRIVER	Constant Current driver 350 mA, UL Recognized	
DIMMING	Phase Dimming (DP) and 0-10V Dimming (DV)	Dimmable
LM-79	On request	
WARRANTY	5 years (on electronic components)	
CERTIFICATION	CSA recognized	



225 de Liège Ouest, Suite #200
Montréal (QC), Canada H2P 1H4
Tel : 514.385.3515 Fax : 514.385.4169
www.eurekalighting.com



2020-MCC **4020-MCC**
2020B-MCC **4520-MCC**



SPÉCIFICATIONS

	LED	INCANDESCENT
LIGHT SOURCE	4 x DEL haute performance sur MCPCB - total ±4 w	Inc Base moyenne - 60W
MODULE	Reconnue par UL - Fabriqué aux États-Unis	N/A
LUMENS RÉELS	330 lm - 350 lm (4000K)	N/A
IRC	80 CRI (typique)	N/A
BOITIER	Aluminium moulé	
RADIATEUR	Aluminium anodisé noir	N/A
DISTRIBUTION LUMINEUSE	Projecteur directionnel (2020(B))/Direct (4020)	
OPTIQUE	LEDIL TIR - angle total de faisceau de 17° & 48°	N/A
VOLTAGE	120V (DP) ou 120-277V (DV ou non gradable)	120V
PILOTE	Pilote 350 mA à courant constant 350 mA, UL Recognized	
GRADATION	Gradation par phase (DP) ou de type 0-10V (DV)	Intensité variable
LM-79	Sur demande	
GARANTIE	5 ans (sur les composantes électroniques)	
CERTIFICATION	Reconnu par CSA	