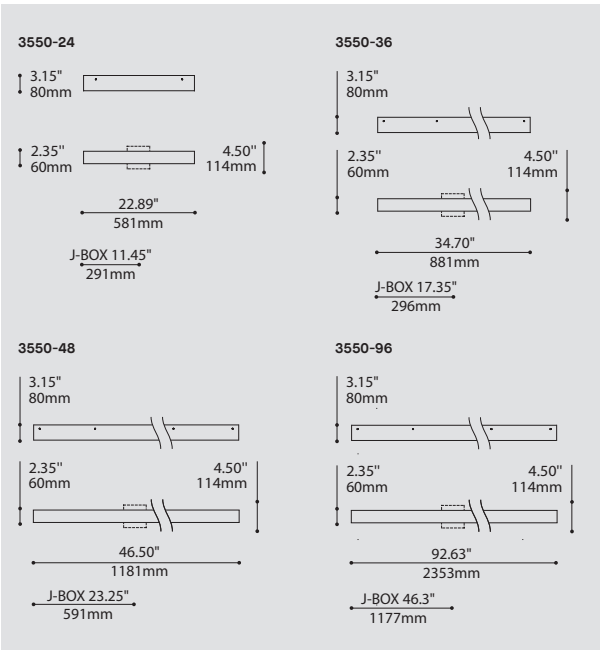


FLARE 3550

PROJECT PROJET

SPEC TYPE

NOTES



ORDERING SPECIFICATION SPÉCIFICATION DE COMMANDE

CODE

MODEL MODÈLE

3550

3550 FLARE

LUMINAIRE LENGTH LONGUEUR LUMINAIRE

24 24"
 36 36"
 48 48"
 96 96"

LIGHT SOURCE SOURCE LUMINEUSE

(WATTAGE, LAMP TYPE, LAMP FORM, BASE TYPE, OTHER INFO)

3550-24

F.T5.14 14W, T5
 F.T5.24 24W, T5 HO

3550-36

F.T5.21 21W, T5
 F.T5.39 39W, T5 HO

3550-48

F.T5.28 28W, T5
 F.T5.54 54W, T5 HO

3550-96

2XF.T5.28 28W X 2, T5
 2XF.T5.54 54W X 2, T5 HO

VOLTAGE VOLTAGE

120V 120 VOLT
 277V 277 VOLT
 347V* 347 VOLT

*ONLY AVAILABLE WITH FT554 & 2XF554 (NON-DIMMING BALLAST)

DIMMING OPTION OPTION DE GRADATION

AVAILABLE WITH FT554, AND 2XF554 ONLY

DM1 ADVANCE MARK 10 ELECTRONIC DIMMING BALLAST

AVAILABLE WITH FT5.14, FT5.21, FT5.28, FT5.4, AND 2XF554

DM7 ADVANCE MARK 7 ELECTRONIC DIMMING BALLAST

AVAILABLE WITH ALL T5 LIGHT SOURCES

D3D LUTRON HI-LUME 3D ELECTRONIC DIMMING BALLAST (ECOSYSTEM DIGITAL LINK WIRING)

D33 LUTRON HI-LUME 3D ELECTRONIC DIMMING BALLAST (3-WIRE WIRING)

EMERGENCY BATTERY BATTERIE D'URGENCE

AVAILABLE WITH ALL T5 LIGHT SOURCES, 120V OR 277V ONLY, NOT AVAILABLE WITH A DIMMING BALLAST
 NOT AVAILABLE WITH A 3980 ACCESSORY (MINI JUNCTION BOX)
 INSTALLATION REQUIRED A J-BOX COVER PLATE (8.5" X 4.5") SUPPLIED WITH THE PRODUCT

REM ⁽¹⁾ RECESSED EMERGENCY BATTERY

⁽¹⁾ 3981B ACCESSORY IS REQUIRED FOR THIS OPTION

DIFFUSER FINISH FINI DIFFUSEUR

FRO FROSTED

FRO

ACCESSORY ACCESSOIRE

3980 MINI JUNCTION BOX

3981B JUNCTION BOX FOR T5 REMOTE EMERGENCY BATTERY

PRODUCT CHARACTERISTICS CARACTÉRISTIQUES DU PRODUIT

ADA BIM DIM IES REM

3550

DESIGN:

Slim and modern rectangular profile available in several lengths.

LIGHT SOURCE:

Highly efficient fluorescent T5 and T5 HO light sources. Dimming and Emergency available.

STRUCTURE:

Structure in extruded aluminum & die-stamped steel. Injection moulded plastic end caps.

DIFFUSER:

Machined & frosted acrylic housing with snap-fit, extruded micro-prism acrylic lens.

CERTIFIED:

c-UL-us

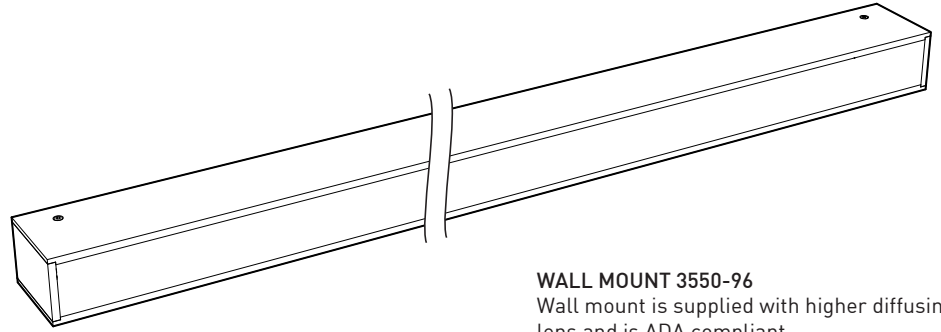
FAMILY FAMILLE



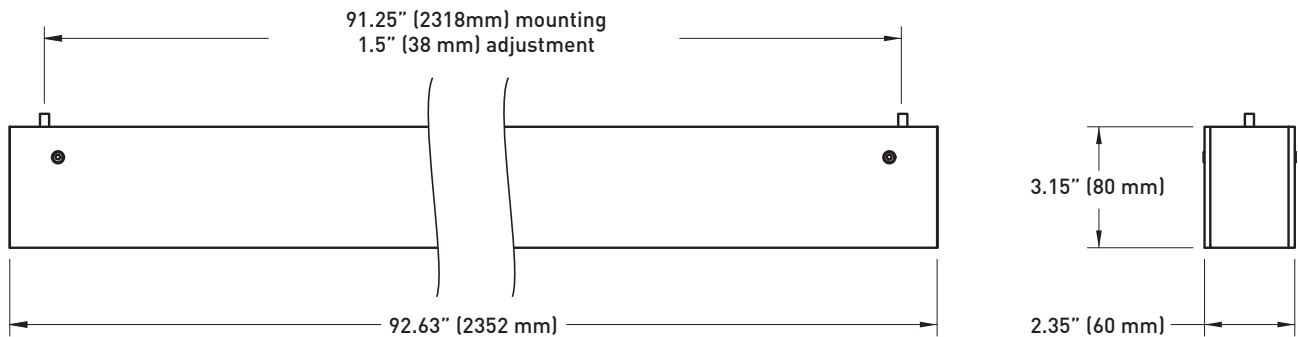
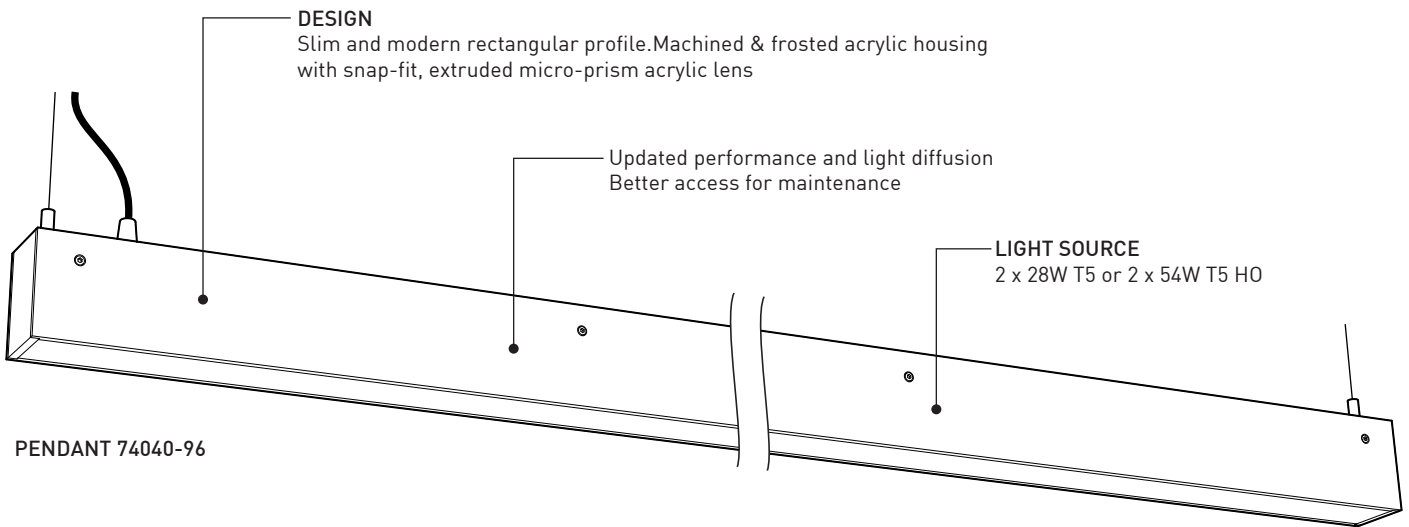
3550 (WALL)



74040



WALL MOUNT 3550-96
Wall mount is supplied with higher diffusing lens and is ADA compliant



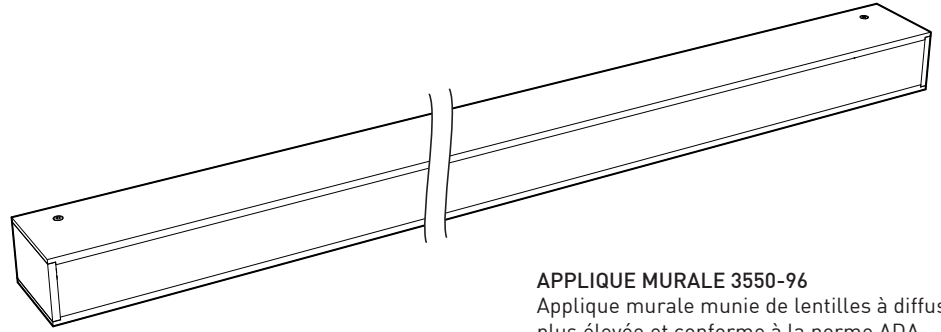
SPECIFICATIONS

FLUORESCENT

LIGHT SOURCE	2 x 28W T5 or 2 x 54W T5 HO
BALLAST	Advance Optanium or equivalent: Programmed Start-EOL (End-of-Life) protection
DIMMING	Advance Mark 10 2 x 54W T5HO (ONLY)
EMERGENCY	IOTA ISL-28 (1 Lamp 28w-500 Lm/90 min) : ISL-54 (1 Lamp 54w-825 Lm/90 min)
VOLTAGE	120V , 277V or 347V (not available with dimming)
STRUCTURE	Extruded aluminum & die-stamped steel
END CAP	Injection moulded plastic
DIFFUSER	Machined & frosted acrylic housing with snap-fit, extruded micro-prism acrylic lens
WARRANTY	1 year

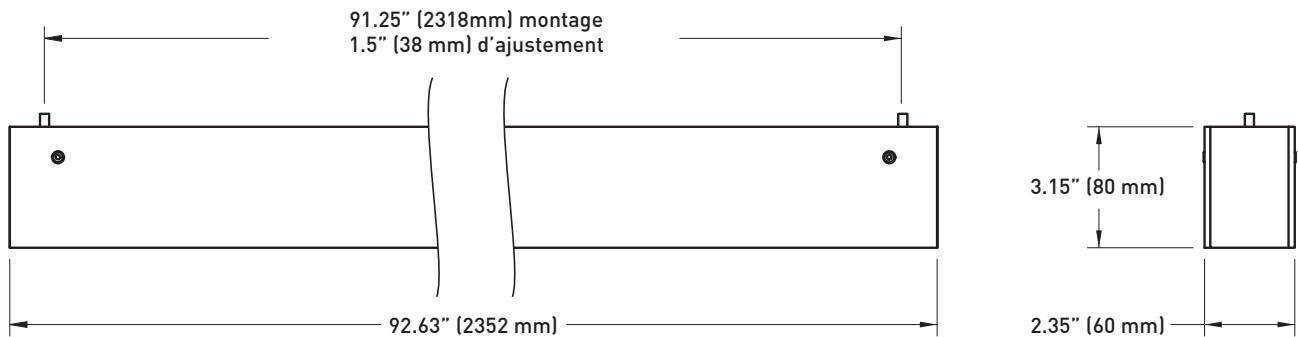
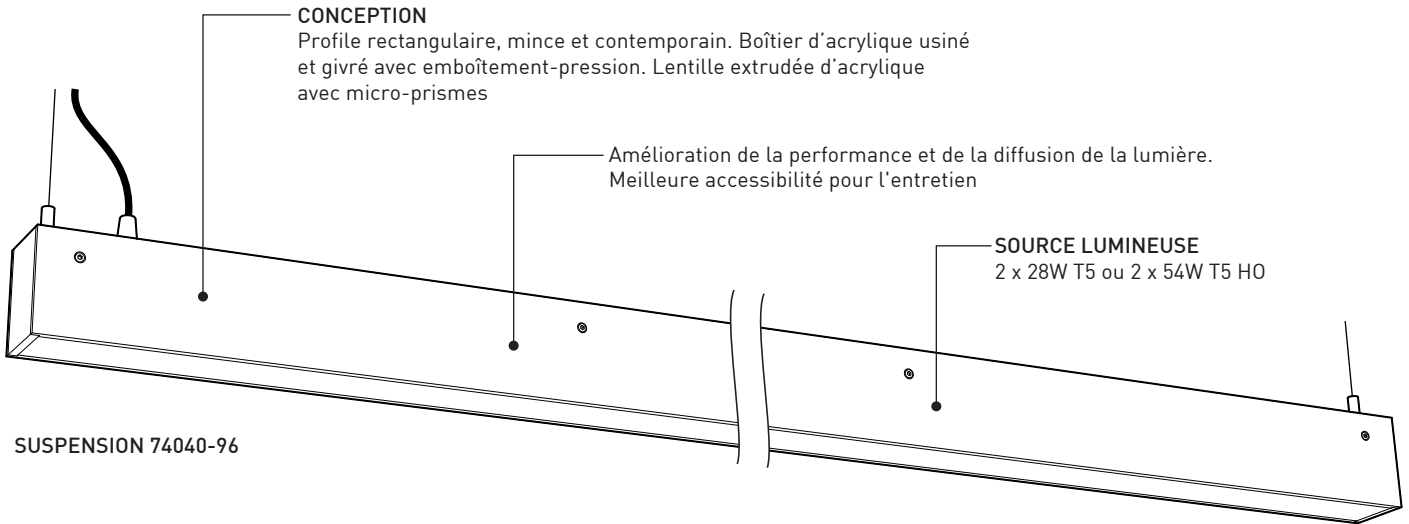


3550-96
74040-96



APPLIQUE MURALE 3550-96

Applique murale munie de lentilles à diffusion plus élevée et conforme à la norme ADA



SPECIFICATIONS

SOURCE LUMINEUSE

BALLAST

GRADATION

URGENCE

VOLTAGE

STRUCTURE

EMBOUT

DIFFUSEUR

GARANTIE

FLUORESCENT

2 x 28W T5 ou 2 x 54W T5 HO

Advance Optanium ou équivalent: Programmed Start-EOL (End-of-Life) protection

Advance Mark 10 2 x 54w T5HO (SEULEMENT)

IOTA ISL-28 (1 Lamp 28w-500 Lm/90 min) : ISL-54 (1 Lamp 54w-825 Lm/90 min)

120V , 277V ou 347V (pas disponible avec gradation)

Acier extrudé et acier embouti

Embout injectés en plastique

Boîtier d'acrylique usiné et givré avec emboîtement-pression, lentille extrudée d'acrylique avec micro-prismes

1 an