

# MOONRISE CLASSIC 3530-23

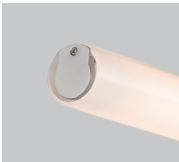
PROJECT PROJET

SPEC TYPE

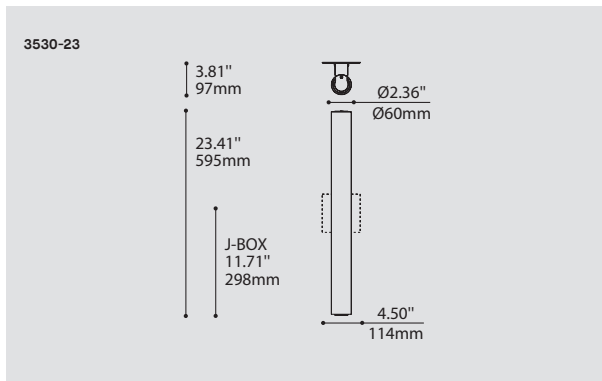
NOTES



END CAP EMBOUT



ROUND/ROND



ORDERING SPECIFICATION SPÉCIFICATION DE COMMANDE

CODE

MODEL MODÈLE

3530-23

3530-23 MOONRISE CLASSIC (ROUND)

LIGHT SOURCE SOURCE LUMINEUSE

(WATTAGE, LAMP TYPE, LAMP FORM, BASE TYPE, OTHER INFO)

F.T5.14 14W, T5

F.T5.24 24W, T5 HO

LED REGULAR OUTPUT

LED.HO HIGH OUTPUT

COLOR TEMPERATURE TEMPÉRATURE DE COULEUR

FOR LED ONLY

30 3000K

35 3500K

40 4000K

VOLTAGE VOLTAGE

120V 120 VOLT

277V 277 VOLT

DIMMING OPTION OPTION DE GRADATION

AVAILABLE WITH F.T5.14 ONLY

DM7 ADVANCE MARK 7 ELECTRONIC DIMMING BALLAST

AVAILABLE WITH ALL T5 LIGHT SOURCES

D3D LUTRON HI-LUME 3D ELECTRONIC DIMMING BALLAST (ECO SYSTEM DIGITAL LI NK WIRING)

D33 LUTRON HI-LUME 3D ELECTRONIC DIMMING BALLAST (3-WIRE WIRING)

AVAILABLE WITH ALL LED LIGHT SOURCES

DV 0-10V DIMMING (120-277V)

EMERGENCY BATTERY BATTERIE D'URGENCE

AVAILABLE WITH ALL T5 LIGHT SOURCES

NOT AVAILABLE WITH A DIMMING BALLAST OR WITH A 3980 ACCESSORY (MINI JUNCTION BOX)

VERTICAL INSTALLATION ONLY. J-BOX COVER PLATE (8.50" X 4.50") REQUIRED, SUPPLIED WITH THE PRODUCT.

REM<sup>(1)</sup> REMOTE EMERGENCY BATTERY

<sup>(1)</sup> 3981B ACCESSORY IS REQUIRED FOR THIS OPTION

STRUCTURE FINISH FINI STRUCTURE

CHR CHROME

S C SATIN CHROME

DIFFUSER FINISH FINI DIFFUSEUR

WH WHITE

WH

ACCESSORY ACCESSOIRE

3980 MINI JUNCTION BOX

3981B JUNCTION BOX FOR T5 REMOTE EMERGENCY BATTERY

PRODUCT CHARACTERISTICS CARACTÉRISTIQUES DU PRODUIT



DESIGN:

Modern classic round profile wall sconce or surface mounted fixture. ADA compliant.

LIGHT SOURCE:

LED, T5 and dimmable light sources available. Dimming and remote emergency also available.

STRUCTURE:

Machined steel end caps & die-stamped steel structure with plated finish.

DIFFUSER:

Hand blown white triplex glass.

CERTIFIED:

c-CSA-us, c-UL-us

CONCEPTION:

Applique ou plafonnier cylindrique classique et contemporain. Conforme à la norme ADA.

SOURCE LUMINEUSE:

DEL offerte et fluorescent T5; ballast à gradation et batterie d'urgence à distance offerts.

STRUCTURE:

Embout d'acier usiné et acier embouti plaqués.

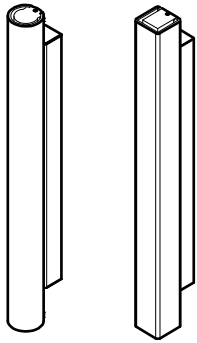
DIFFUSEUR:

Verre triplex blanc soufflé à la main.

CERTIFIÉ:

c-CSA-us, c-UL-us

3530-23 MOONRISE      3531-23 MOONSET

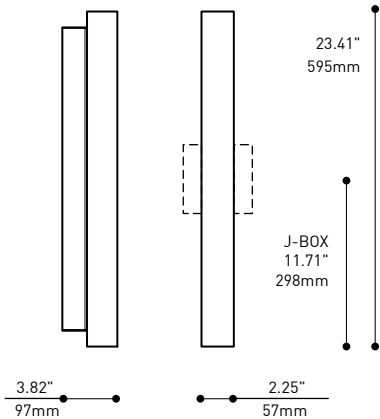


**DIFFUSER**  
Hand blown white triplex glass

**ENDCAPS**  
Machined steel endcaps mechanically attached to structure with one-way security screw

**EASY MOUNTING**  
Die-formed steel structure provides an easy access to component wiring

**LED LIGHT ENGINE**  
ANSI binned white LED Nichia w/ on-board thermal management



### SPECIFICATIONS

LIGHT SOURCE  
MODULE  
LUMENS (DELIVERED)  
LUMENS PER FOOT  
SYSTEM WATTAGE  
CCT / CRI  
ROHS  
THERMAL MANAGEMENT  
LIGHT DISTRIBUTION  
VOLTAGE  
DRIVER / BALLAST  
DIMMING  
LM-79 / L70  
HOUSING  
DIFFUSER  
MOUNTING  
ENDCAPS  
WARRANTY

### LED

3530-23 REG | 3530-23 HO | 3531-23 REG | 3531-23 HO

24 x NICHIA LEADS

UL recognized - made in USA

899 lm	1292 lm	889 lm	1278 lm
449 lm	646 lm	444 lm	639 lm
10	14.5	10	14.5

80 CRI (typical)

Compliant

Light Engine w/ on-board Thermal Management

Direct - 120° Beam Angle

120 or 277V

12V (120V), 12V (277V)

0-10V Dimming

On request / Estimated 50 000 hrs

Die-stamped 18 Ga steel (0.048" nominal thickness) available in Chrome or Satin chrome w/ galvanized steel internal parts

Hand blown white triplex glass

Formed Cold Rolled Steel (0.060" nominal thickness) w/ Chrome or Satin chrome plated Finish

CNC machined steel w/ Chrome or Satin chrome plated Finish

5 years

### FLUORESCENT

1 x 14w T5 / 1 x 24w T5HO

Direct

120V-277V, 347V

Advance Centium or equivalent

Advance Mark 7 (T5), Mark 10 (T5HO) or Lutron

1 year



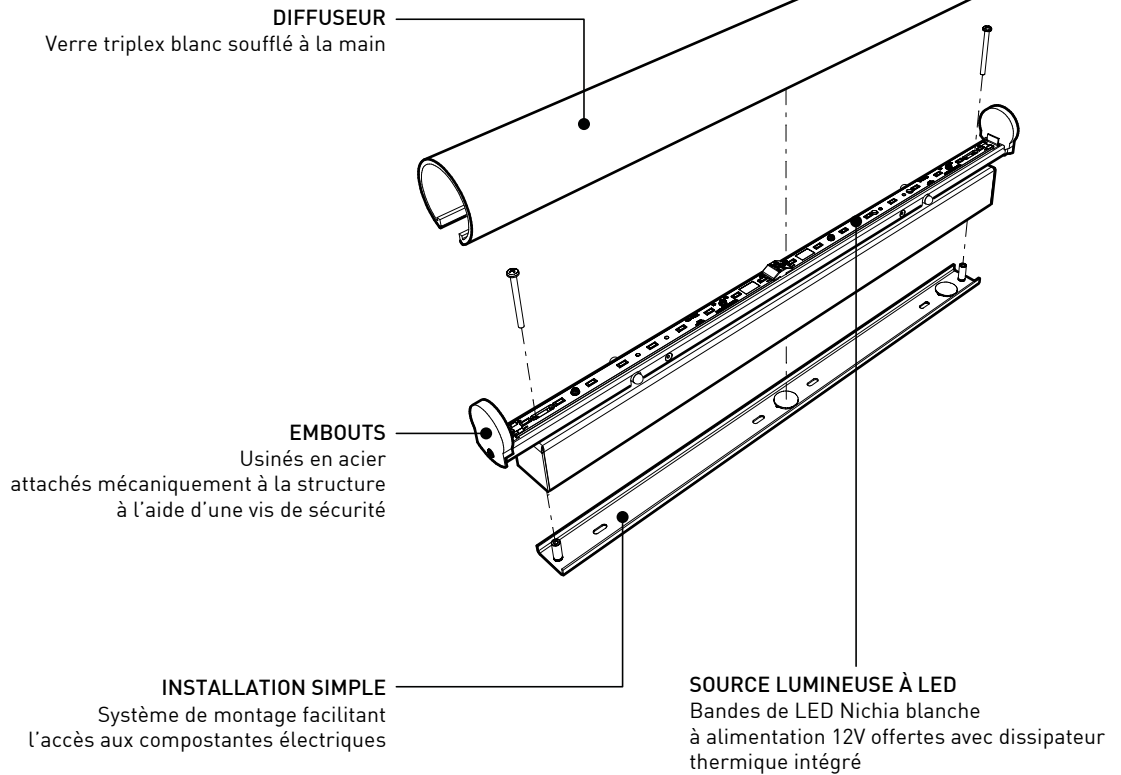
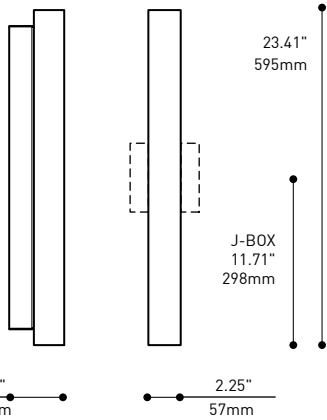
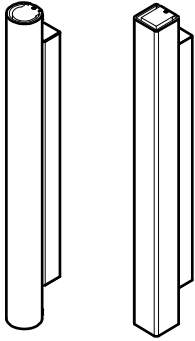
225 de Liège Ouest, Suite #200  
Montréal (QC), Canada H2P 1H4  
Tel : 514.385.3515 Fax : 514.385.4169  
www.eurekalighting.com



353X-23

3530-23  
MOONRISE

3531-23  
MOONSET



## SPÉCIFICATIONS

### SOURCE LUMINEUSES

### MODULE

### LUMENS (LIVRÉS)

### LUMENS PAR PIED

### WATTAGE DU SYSTEM

### CCT / CRI

### ROHS

### GESTION THERMIQUE

### DISTRIBUTION LUMINEUSE

### VOLTAGE

### PILOTE / BALLAST

### GRADATION

### LM-79 / L70

### BOÎTIER

### DIFFUSEUR

### MONTAGE MURAL

### EMBOUTS

### GARANTIE

## LED

3530-23 REG | 3530-23 HO | 3531-23 REG | 3531-23 HO

24 x NICHIA LEDES

Reconnu UL - Fabriqué aux États-Unis

899 lm | 1292 lm | 889 lm | 1278 lm

449 lm | 646 lm | 444 lm | 639 lm

10 | 14.5 | 10 | 14.5

80 CRI (typique)

Conforme

Sources lumineuses avec autocontrôle de température

Directe - Diffusée à 120°

120 ou 277V

12V (120V), 12V (277V)

0-10V Gradation

Sur demande / 50 000 hrs estimées

Acier découpé et plié (0.048" épaisseur nominale), disponible en Chrome ou en Satin chrome

Verre triplex blanc soufflé à la main

Acier estampé (0.060" épaisseur nominale) / adapté à la boîte de jonction Octagone 4" ou à la mini boîte de jonction

Fabriqués en acier usiné, disponibles en Chrome ou en Satin chrome

5 ans

## FLUORESCENTE

1 x 14w T5 / 1 x 24w T5HO



225 de Liège Ouest, Suite #200  
Montréal (QC), Canada H2P 1H4  
Tel : 514.385.3515 Fax : 514.385.4169  
www.eurekalighting.com



353X-23