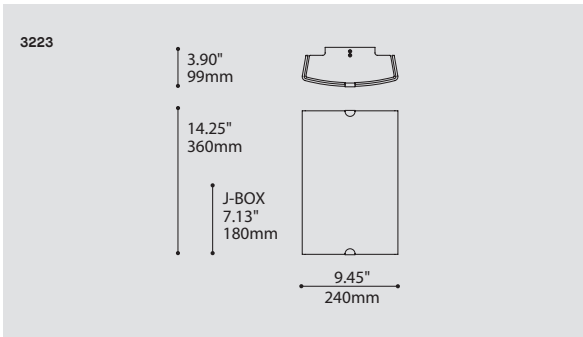






# KHEPRI 3223

PROJECT PROJÉT
SPEC TYPE
NOTES



## ORDERING SPECIFICATION SPÉCIFICATION DE COMMANDE

MODEL MODÈLE	CODE
3223 KHEPRI	3223
LIGHT SOURCE SOURCE LUMINEUSE	
(WATTAGE, LAMP TYPE, LAMP FORM, BASE TYPE, OTHER INFO)	
CF.L.24 	24W, CFL, LONG TWIN TUBE T5, 2G11 BASE
2XCF.L.24 	24W X 2, CFL, LONG TWIN TUBE T5, 2G11 BASE
2XCF.D.26 	26W X 2, CFL, DOUBLE TWIN TUBE, G24Q3 BASE (DIMMABLE ONLY)
2XCF.SP.18 	18W X 2, CFL, SPIRAL, GU24 BASE (120V ONLY)
VOLTAGE VOLTAGE	
120V	120 VOLT
277V	277 VOLT
347V*	347 VOLT
*ONLY AVAILABLE WITH CF.L.24 & 2XCF.L.24	
DIMMING OPTION OPTION DE GRADATION	
AVAILABLE WITH 2XCF.D.26 ONLY	
DM1	ADVANCE MARK 10 ELECTRONIC DIMMING BALLAST
DM7	ADVANCE MARK 7 ELECTRONIC DIMMING BALLAST
DED	LUTRON ECOSYSTEM ELECTRONIC DIMMING BALLAST (ECOSYSTEM DIGITAL LINK WIRING)
DE3	LUTRON ECOSYSTEM ELECTRONIC DIMMING BALLAST (3-WIRE WIRING)
EMERGENCY BATTERY BATTERIE D'URGENCE	
AVAILABLE WITH CF.L.24 AND 2XCF.L.24, 120V OR 277V ONLY	
REM <sup>(1)</sup>	RECESSED EMERGENCY BATTERY
<sup>(1)</sup> 3981 ACCESSORY IS REQUIRED FOR THIS OPTION	
STRUCTURE FINISH FINI STRUCTURE	CHR
CHR	CHROME
DIFFUSER FINISH FINI DIFFUSEUR	WH
WH	WHITE
ACCESSORY ACCESSOIRE	
3981	JUNCTION BOX FOR CFL REMOTE EMERGENCY BATTERY

## PRODUCT CHARACTERISTICS CARACTÉRISTIQUES DU PRODUIT



<b>DESIGN:</b>	Arcing front surface and rectilinear formed shade supported by two chrome tabs. ADA compliant.
<b>LIGHT SOURCE:</b>	Wide range of energy saving fluorescent sources available. Dimming and remote EM available.
<b>STRUCTURE:</b>	Die-stamped steel structure with plated finish.
<b>DIFFUSER:</b>	Hand blown white triplex glass.
<b>CERTIFIED:</b>	c-CSA-us
<b>CONCEPTION:</b>	La simplicité est définie par l'élégante forme rectiligne supportée par deux onglets. Conforme à la norme ADA.
<b>SOURCE LUMINEUSE:</b>	Plusieurs sources fluorescentes à faible consommation disponibles. Ballasts à gradation et d'urgence disponibles.
<b>STRUCTURE:</b>	Acier embouti plaqué.
<b>DIFFUSEUR:</b>	Verre triplex blanc soufflé à la main.
<b>CERTIFIÉ:</b>	c-CSA-us