

ATEN 3221B

PROJECT PROJET

SPEC TYPE

NOTES



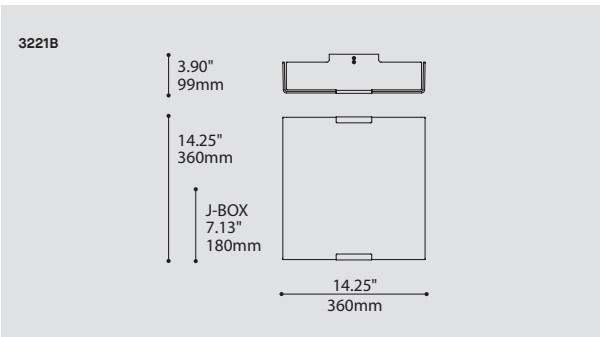
FAMILY FAMILLE



3221



3221C



ORDERING SPECIFICATION SPÉCIFICATION DE COMMANDE

CODE







MODEL MODÈLE

3221B ATEN B

3221B

LIGHT SOURCE SOURCE LUMINEUSE

(WATTAGE, LAMP TYPE, LAMP FORM, BASE TYPE, OTHER INFO)

2XCF.L.24  24W X 2, CFL, LONG TWIN TUBE T5, 2G11 BASE
 2XCF.D.26  26W X 2, CFL, DOUBLE TWIN TUBE, G24Q3 BASE (DIMMABLE ONLY)
 2XCF.SP.18  18W X 2, CFL, SPIRAL, GU24 BASE (120V ONLY)
 F.T5.C.40  40W, FLUO, CIRCULAR T5, 2GX13 BASE
 F.T5.C.2240  22&40W, FLUO, CIRCULAR T5, 2GX13 BASE (1 CIRCUIT)
 LED  REGULAR OUTPUT

COLOR TEMPERATURE TEMPÉRATURE DE COULEUR

FOR LED ONLY

30 3000K
 35 3500K
 40 4000K

VOLTAGE VOLTAGE

120V 120 VOLT
 277V 277 VOLT
 347V* 347 VOLT

*ONLY AVAILABLE WITH 2XCF.L.24, F.T5.C.40, F.T5.C.2240

DIMMING OPTION OPTION DE GRADATION

AVAILABLE WITH 2XCF.D.26 ONLY

DM1 ADVANCE MARK 10 ELECTRONIC DIMMING BALLAST
 DM7 ADVANCE MARK 7 ELECTRONIC DIMMING BALLAST
 DED LUTRON ECOSYSTEM ELECTRONIC DIMMING BALLAST (ECOSYSTEM DIGITAL LINK WIRING)
 DE3 LUTRON ECOSYSTEM ELECTRONIC DIMMING BALLAST (3-WIRE WIRING)

AVAILABLE WITH LED ONLY

DV 0-10V DIMMING (120-277V)
 DP PHASE DIMMING (120V ONLY)

LED DIMMING DRIVER IS STANDARD IN THESE PRODUCTS. PLEASE SPECIFY YOUR DIMMING TYPE.

EMERGENCY BATTERY BATTERIE D'URGENCE

AVAILABLE WITH 2XCF.L.24 AND F.T5.C.40, 120V OR 277V ONLY

NOT AVAILABLE WITH A DIMMING BALLAST

REM⁽¹⁾ RECESSED EMERGENCY BATTERY

⁽¹⁾ 3981 (2XCF.L.24) OR 3981B (F.T5.C.40) ACCESSORY IS REQUIRED FOR THIS OPTION

STRUCTURE FINISH FINI STRUCTURE

CHR CHROME

CHR

DIFFUSER FINISH FINI DIFFUSEUR

WH WHITE

WH

ACCESSORY ACCESSOIRE

3981 JUNCTION BOX FOR CFL REMOTE EMERGENCY BATTERY

3981B JUNCTION BOX FOR CIRCULAR T5 REMOTE EMERGENCY BATTERY

PRODUCT CHARACTERISTICS CARACTÉRISTIQUES DU PRODUIT



DESIGN:

Simplicity defined, elegant rectilinear folded shade supported by two chrome tabs.

LIGHT SOURCE:

Wide range of energy saving fluorescent and LED sources available.

Dimming and remote EM available.

STRUCTURE:

Die-stamped steel structure with plated finish.

DIFFUSER:

Formed white silk-screen crystal glass.

CERTIFIED:

c-CSA-us, c-UL-us

CONCEPTION:

La simplicité est définie par l'élégante forme rectiligne supportée par deux onglets chromés.

SOURCE LUMINEUSE:

Plusieurs sources fluorescentes à faible consommation et DEL offertes.

STRUCTURE:

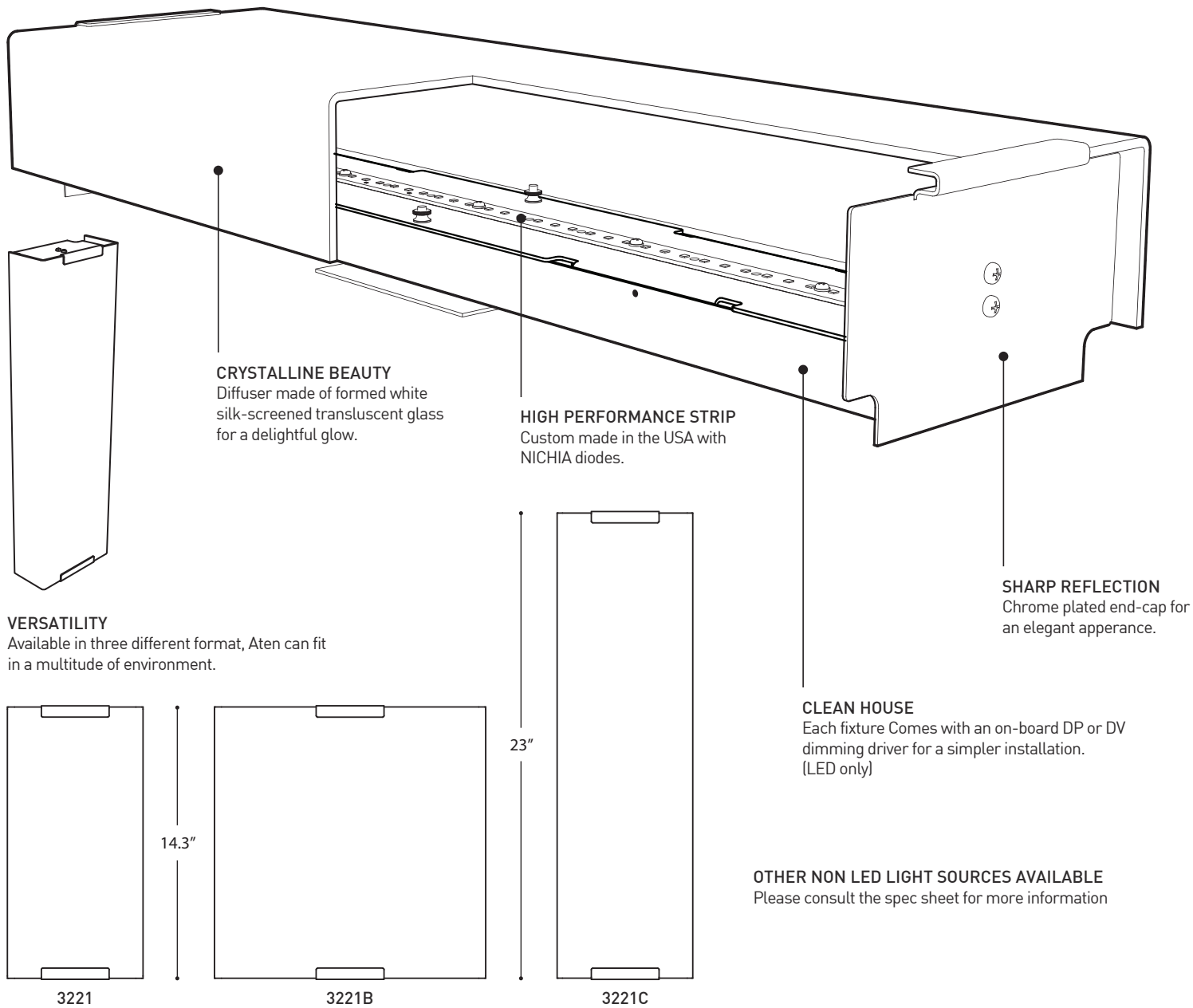
Acier embouti plaqué.

DIFFUSEUR:

Verre formé sérigraphié blanc.

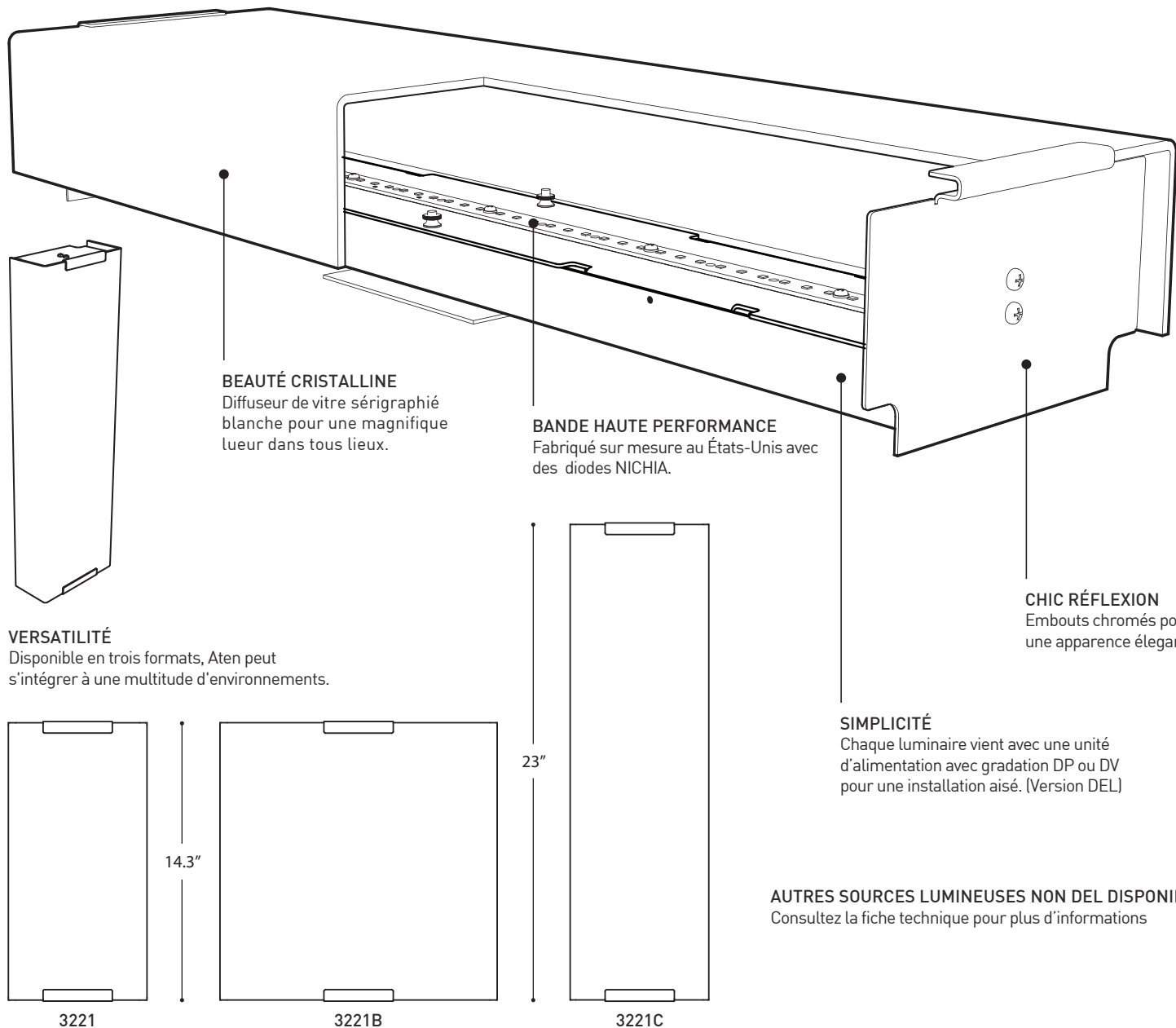
CERTIFIÉ:

c-CSA-us, c-UL-us



CHARACTERISTICS

	3221-LED REG	3221-LED HO	3221B-LED REG	3221C-LED HO
LIGHT SOURCE	24x 0.5W DEL (System 14W)	48x 0.4W LED (System 22W)	60x 0.3W DEL (System 21W)	48x 0.4W DEL (System 20W)
DELIVERED LUMENS	1190lm	2220lm	2288lm	2217lm
MODULE	UL recognized - Custom design strip - Made in USA			
CRI	83 CRI (Typical)			
DIFFUSER	Formed white silk-screened crystal glass			
LIGHT DISTRIBUTION	Direct diffused light			
STRUCTURE	Die-stamped steel structure with plated finish			
VOLTAGE	120V or 277V			
DIMMING	Phase (DP) or 0-10V (DV) Dimming (standard, LED only)			
LM-79	By request			
WARRANTY	5 years			



CARACTÉRISTIQUES

SOURCE LUMINEUSE

3221-LED.11

24x 0.5W DEL (Système 14W)

1190lm

3221-LED.18

48x 0.4W LED (Système 22W)

2220lm

3221B-LED.18

60x 0.3W DEL (Système 21W)

2288lm

3221C-LED.17

48x 0.4W DEL (Système 20W)

2217lm

LUMENS RÉELS

MODULE

Reconnu par UL - Bande construite sur mesure - Fabriqué au États-Unis

IRC

83 IRC (Typique)

DIFFUSEUR

Verre cristal sérigraphié blanc et mis en forme

DISTRIBUTION LUMINEUSE

Lumière direct diffuse

STRUCTURE

Acier embouti plaqué

VOLTAGE

120V ou 277V

GRADATION

Gradation phase (DP) ou 0-10V (DV) (standard, DEL seulement)

LM-79

Sur demande

GARANTIE

5 ans