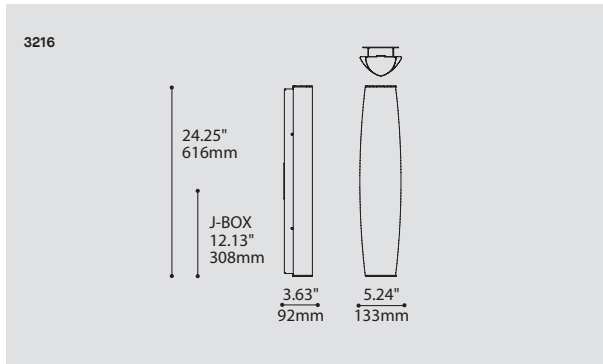


# FOLIA 3216

|                |
|----------------|
| PROJECT PROJET |
| SPEC TYPE      |
| NOTES          |



## ORDERING SPECIFICATION SPÉCIFICATION DE COMMANDE

MODEL MODÈLE **3216**

LIGHT SOURCE SOURCE LUMINEUSE

(WATTAGE, LAMP TYPE, LAMP FORM, BASE TYPE, OTHER INFO)

- F.T5.14 14W, T5
- F.T5.24 24W, T5 HO
- 2XF.T5.14 14W X 2, T5
- 2XF.T5.24 24W X 2, T5 HO
- LED REGULAR OUTPUT
- LED.HO HIGH OUTPUT

COLOR TEMPERATURE TEMPÉRATURE DE COULEUR

FOR LED ONLY

- 30 3000K
- 35 3500K
- 40 4000K

VOLTAGE VOLTAGE

- 120V 120 VOLT
- 277V 277 VOLT

DIMMING OPTION OPTION DE GRADATION

AVAILABLE WITH 2XF.T5.24 ONLY

DM1 ADVANCE MARK 10 ELECTRONIC DIMMING BALLAST

AVAILABLE WITH F.T5.14 & 2XF.T5.14 ONLY

DM7 ADVANCE MARK 7 ELECTRONIC DIMMING BALLAST

AVAILABLE WITH ALL T5 LIGHT SOURCES

- D3D LUTRON HI-LUME 3D ELECTRONIC DIMMING BALLAST (ECOSYSTEM DIGITAL LINK WIRING)
- D33 LUTRON HI-LUME 3D ELECTRONIC DIMMING BALLAST (3-WIRE WIRING)

AVAILABLE WITH ALL LED LIGHT SOURCES

- DV 0-10V DIMMING (120-277V)
- DP PHASE DIMMING (120V ONLY)

EMERGENCY BATTERY BATTERIE D'URGENCE

AVAILABLE WITH ALL T5 LIGHT SOURCES

NOT AVAILABLE WITH A DIMMING BALLAST, LED LIGHT SOURCE OR WITH A 3980 ACCESSORY (MINI JUNCTION BOX)

REM<sup>(1)</sup> RECESSED EMERGENCY BATTERY

<sup>(1)</sup> 3981B ACCESSORY IS REQUIRED FOR THIS OPTION

STRUCTURE FINISH FINI STRUCTURE **CHR**

CHR CHROME

DIFFUSER FINISH FINI DIFFUSEUR **WH**

WH WHITE

ACCESSORY ACCESSOIRE

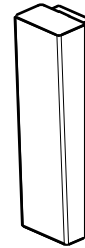
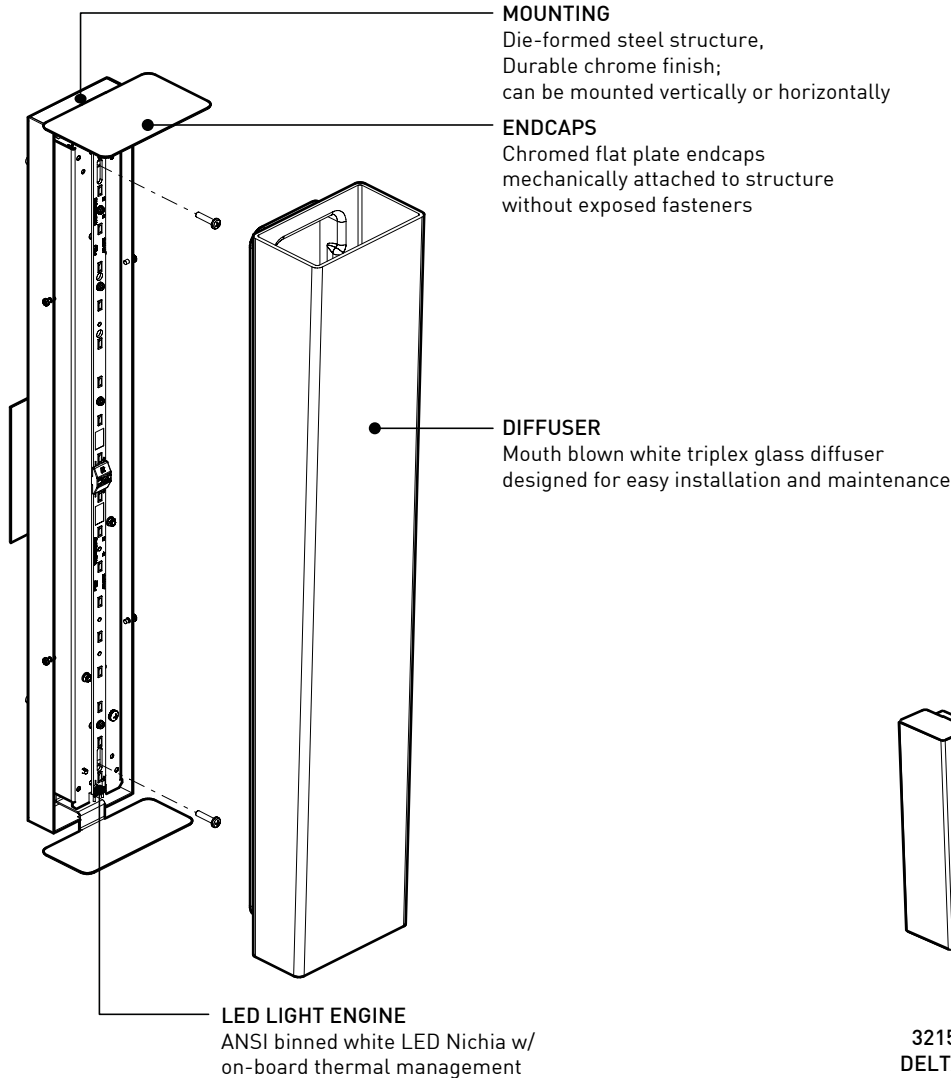
- 3980 MINI JUNCTION BOX
- 3981B JUNCTION BOX FOR T5 REMOTE EMERGENCY BATTERY

## PRODUCT CHARACTERISTICS CARACTÉRISTIQUES DU PRODUIT

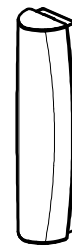


**DESIGN:** Soft and subtle linear form with closed chrome end caps. ADA compliant.  
**LIGHT SOURCE:** LED and T5 light sources. Dimming and EM available.  
**STRUCTURE:** Die-stamped steel structure with plated finish.  
**DIFFUSER:** Hand blown white triplex glass.  
**CERTIFIED:** c-CSA-us, c-UL-us

**CONCEPTION:** Forme douce et subtile fermée par des embouts chromés. Conforme à la norme ADA.  
**SOURCE LUMINEUSE:** DEL et T5; ballasts à gradation et d'urgence offerts.  
**STRUCTURE:** Acier embouti plaqué.  
**DIFFUSEUR:** Verre triplex blanc soufflé à la main.  
**CERTIFIÉ:** c-CSA-us, c-UL-us



3215  
DELTA



3216  
FOLIA



3217  
SENET

## SPECIFICATIONS

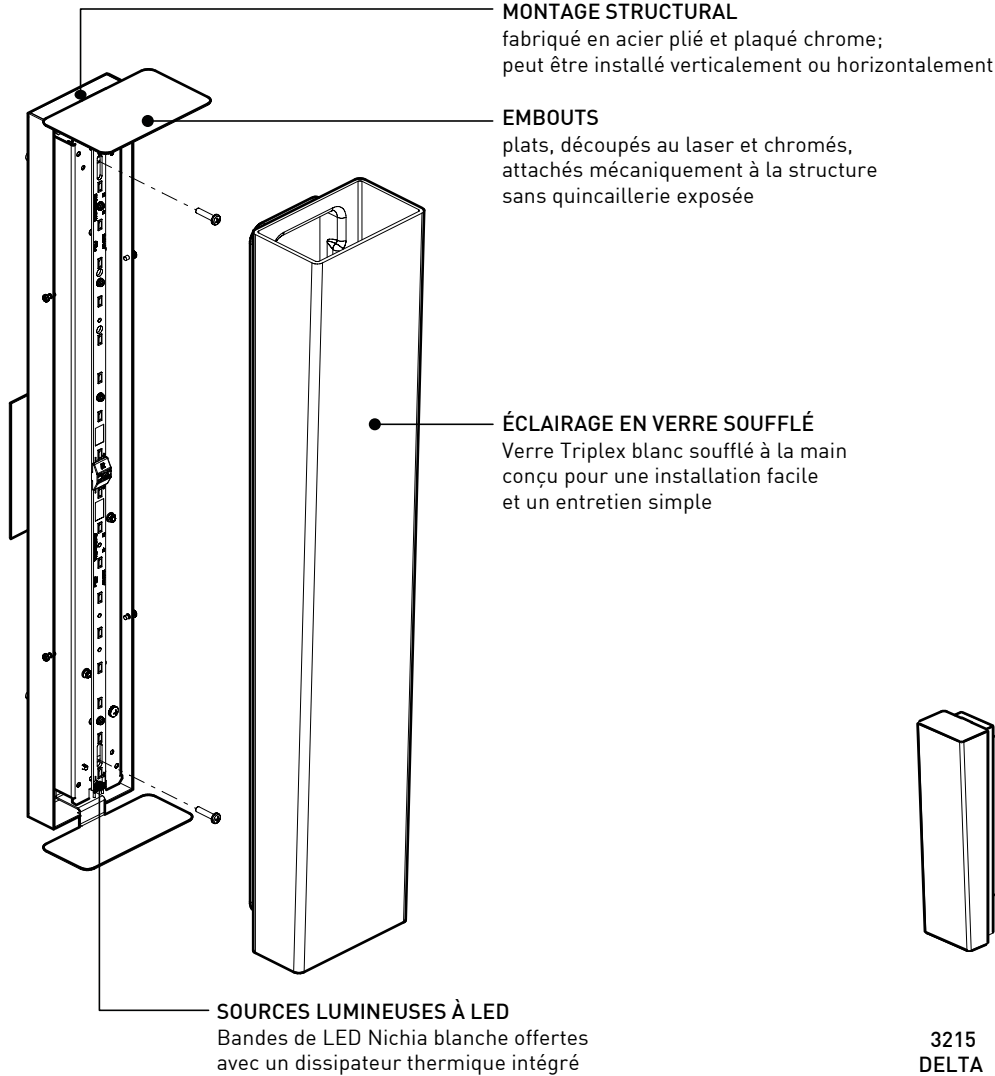
LIGHT SOURCE  
MODULE  
LUMENS (DELIVERED)  
SYSTEM WATTAGE  
CCT / CRI  
ROHS  
THERMAL MANAGEMENT  
LIGHT DISTRIBUTION  
VOLTAGE  
DIMMING  
LM-79 / L70  
HOUSING  
DIFFUSER  
MOUNTING  
ENDCAPS  
WARRANTY

### LED-REG

### LED-HO

### FLUORESCENT

|                                                                                                         |         |                                               |
|---------------------------------------------------------------------------------------------------------|---------|-----------------------------------------------|
| 18 x NICHIA LEDES                                                                                       |         | 1 or 2 x 14w T5 / 1 or 2 x 24w T5HO           |
| UL recognized - made in USA                                                                             |         |                                               |
| 690 lm                                                                                                  | 1002 lm |                                               |
| 9W                                                                                                      | 13.5W   |                                               |
| 80 CRI (typical)                                                                                        |         |                                               |
| Compliant                                                                                               |         |                                               |
| Light Engine w/ on-board Thermal Management                                                             |         |                                               |
| Direct - 120° Beam Angle                                                                                |         | Direct                                        |
| 120 or 277V                                                                                             |         | 120V-277V, 347V                               |
| Phase (DP) or 0-10V (DV) Dimming                                                                        |         | Advance Mark 7 (T5), Mark 10 (T5HO) or Lutron |
| On request / Estimated 50 000 hrs                                                                       |         |                                               |
| Formed Cold Rolled steel finished in white polyester powder coat (0.036" nominal thickness)             |         |                                               |
| Mouth blown white triplex glass                                                                         |         |                                               |
| Formed Cold Rolled Steel (0.060" nominal thickness) w/ Chrome Plated Finish                             |         |                                               |
| Precision laser cutting and Formed Cold rolled Steel (0.048" nominal thickness) w/ Chrome Plated Finish |         |                                               |
| 5 years                                                                                                 |         | 1 year                                        |



3215  
DELTA



3216  
FOLIA



3217  
SENET

## SPÉCIFICATIONS

|                        | LED-REG                                                                                                        | LED-HO  | FLUORESCENTE                                  |
|------------------------|----------------------------------------------------------------------------------------------------------------|---------|-----------------------------------------------|
| SOURCE LUMINEUSE       | 18 x NICHIA LEDES                                                                                              |         | 1 ou 2 x 14w T5 / 1 ou 2 x 24w T5HO           |
| MODULE                 | Reconnu UL - Fabriqué aux États-Unis                                                                           |         |                                               |
| LUMENS (LIVRÉS)        | 690 lm                                                                                                         | 1002 lm |                                               |
| CONSOMMATION TOTALE    | 9W                                                                                                             | 13.5W   |                                               |
| CCT / CRI              | 80 CRI (typique)                                                                                               |         |                                               |
| ROHS                   | Conforme                                                                                                       |         |                                               |
| GESTION THERMIQUE      | Sources lumineuses avec autocontrôle de température                                                            |         |                                               |
| DISTRIBUTION LUMINEUSE | Directe - diffusée à 120°                                                                                      |         | Directe                                       |
| VOLTAGE                | 120 ou 277V                                                                                                    |         | 120V-277V, 347V                               |
| GRADATION              | Gradation phase (DP) ou 0-10V (DV)                                                                             |         | Advance Mark 7 (T5), Mark 10 (T5HO) ou Lutron |
| LM-79 / L70            | Sur demande / 50 000 hrs estimées                                                                              |         |                                               |
| BOÎTIER                | Acier découpé, plié (0.036" épaisseur nominale) / fini de peinture électrostatique à base de Polyester blanche |         |                                               |
| DIFFUSEUR              | Verre Triplex blanc soufflé à la main                                                                          |         |                                               |
| MONTAGE STRUCTURAL     | Acier découpé, plié (0.060" épaisseur nominale) et chromé                                                      |         |                                               |
| EMBOUTS                | Acier découpé, plié (0.048" épaisseur nominale) et chromé                                                      |         |                                               |
| GARANTIE               | 5 ans                                                                                                          |         | 1 an                                          |