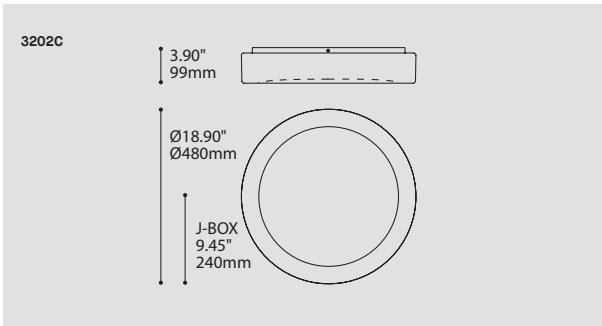
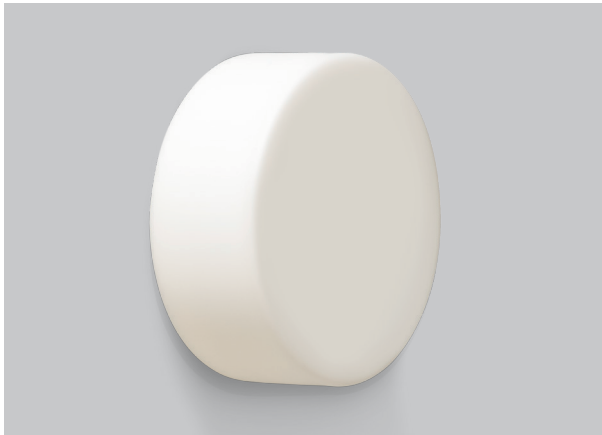


HELIOS 3202C

PROJECT PROJET

SPEC TYPE

NOTES



ORDERING SPECIFICATION SPÉCIFICATION DE COMMANDE

CODE

MODEL MODÈLE

3202C HELIOS LARGE

3202C

LIGHT SOURCE SOURCE LUMINEUSE

(WATTAGE, LAMP TYPE, LAMP FORM, BASE TYPE, OTHER INFO)

2XCF.D.26		26W X 2, CFL, DOUBLE / TRIPLE TWIN TUBE, G24Q3 BASE
3XCF.SP.13		13W X 3, CFL, SPIRAL TUBE, GU24 BASE (120V ONLY)
F.T5.C.2240		22&40W, FLUO, CIRCULAR T5, 2GX13 BASE (1 CIRCUIT)
F.T5.C.2240-2C		22&40W, FLUO, CIRCULAR T5, 2GX13 BASE (2 CIRCUITS)
F.T5.C.40		40W, FLUO, CIRCULAR T5, 2GX13 BASE
LED.24		24W, LED

COLOR TEMPERATURE TEMPÉRATURE DE COULEUR

FOR LED ONLY

30	3000K
35	3500K
40	4000K

VOLTAGE VOLTAGE

120V	120 VOLT
277V	277 VOLT
347V*	347 VOLT

*ONLY AVAILABLE WITH 2XCF.D.26, FT5.C.2240, FT5.C.2240-2C AND FT5.C.40 (NON-DIMMING BALLAST)

DIMMING OPTION OPTION DE GRADATION

AVAILABLE WITH 2XCF.D.26 ONLY

DM1	ADVANCE MARK 10 ELECTRONIC DIMMING BALLAST
DM7	ADVANCE MARK 7 ELECTRONIC DIMMING BALLAST
DED	LUTRON ECOSYSTEM ELECTRONIC DIMMING BALLAST (ECOSYSTEM DIGITAL LINK WIRING)
DE3	LUTRON ECOSYSTEM ELECTRONIC DIMMING BALLAST (3-WIRE WIRING)

AVAILABLE WITH LED ONLY

DV	0-10V DIMMING (120-277V)
DP	PHASE DIMMING (120V ONLY)

LED DIMMING DRIVER IS STANDARD IN THIS PRODUCT, PLEASE SPECIFY YOUR DIMMING TYPE.

DIFFUSER FINISH FINI DIFFUSEUR

WH WHITE

WH

PRODUCT CHARACTERISTICS CARACTÉRISTIQUES DU PRODUIT



DESIGN:	Round luminous shade design with concave front surface. ADA compliant.
LIGHT SOURCE:	Wide range of energy saving compact fluorescent and LED light sources available.
STRUCTURE:	Die-stamped steel structure with highly reflective and diffused white paint finish.
DIFFUSER:	Hand blown white triplex glass.
CERTIFIED:	c-CSA-us, c-UL-us
CONCEPTION:	Verre rond et lumineux avec façade concave. Conforme à la norme ADA.
SOURCE LUMINEUSE:	Plusieurs sources fluorescentes et DEL à faible consommation disponibles.
STRUCTURE:	Structure d'acier embouti avec fini blanc très réfléchissant et diffusant.
DIFFUSEUR:	Verre triplex blanc soufflé à la main.
CERTIFIÉ:	c-CSA-us, c-UL-us