

SILENE CLASSIC 3156B-JMJ

PROJECT PROJET

SPEC TYPE

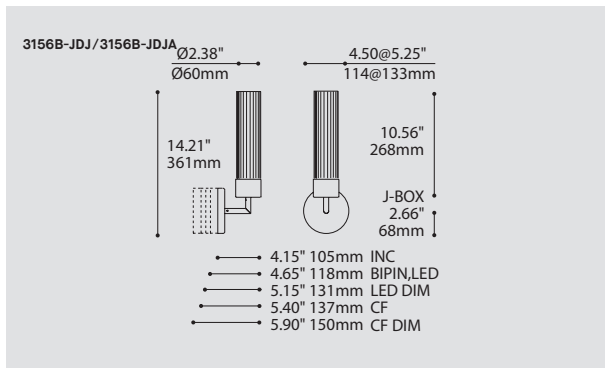
NOTES



OPTIONS



JMJ-CLR



ORDERING SPECIFICATION SPÉCIFICATION DE COMMANDE

CODE

MODEL MODÈLE

3156B-JMJ

3156B-JMJ SILENE CLASSIC MJJ

LIGHT SOURCE SOURCE LUMINEUSE

(WATTAGE, LAMP TYPE, LAMP FORM, BASE TYPE, OTHER INFO)

CF.D.13		13W, CFL, DOUBLE TWIN TUBE, G24Q1 BASE
CF.D.18		18W, CFL, DOUBLE TWIN TUBE, G24Q2 BASE
CF.D.26		26W, CFL, DOUBLE TWIN TUBE, G24Q3 BASE
BIPIN.50		50W, HAL, BIPIN, GY6.35 BASE
LED.4		4W, LED

COLOR TEMPERATURE TEMPÉRATURE DE COULEUR

FOR LED ONLY

30	3000K
35	3500K
40	4000K

VOLTAGE VOLTAGE

120V	120 VOLT
277V	277 VOLT
347V*	347 VOLT

*ONLY AVAILABLE WITH CF.D.13, CF.D.18, CF.D.26 (NON-DIMMING BALLAST)

DIMMING OPTION OPTION DE GRADATION

AVAILABLE WITH CF.D.18 & CF.D.26 ONLY

DM1	ADVANCE MARK 10 ELECTRONIC DIMMING BALLAST
DED	LUTRON ECOSYSTEM ELECTRONIC DIMMING BALLAST (ECOSYSTEM DIGITAL LINK WIRING)
DE3	LUTRON ECOSYSTEM ELECTRONIC DIMMING BALLAST (3-WIRE WIRING)

AVAILABLE WITH CF.D.13, CF.D.18 & CF.D.26 ONLY

DM7	ADVANCE MARK 7 ELECTRONIC DIMMING BALLAST
-----	-------------------------------------------

FOR LED ONLY

DV	0-10V DIMMING (120-277V)
DP	PHASE DIMMING (120V ONLY)

MOUNTING MONTAGE

RC

RC	ROUND CANOPY / PAVILLON ROND FOR HAL & LED: 1.00" CANOPY (2401E) FOR CFL: 1.75" CANOPY (2402G) FOR ELECTRONIC CFL DIMMABLE: 2.25" CANOPY (2402J) FOR LED DIMMABLE: 1.75" CANOPY (2403G)
----	-----------------------------------------------------------------------------------------------------------------------------------------------------------------------------------------------------

STRUCTURE FINISH FINI STRUCTURE

SC	SATIN CHROME
CHR	CHROME

DIFFUSER FINISH FINI DIFFUSEUR

CLR

CLR	CLEAR
-----	-------

PRODUCT CHARACTERISTICS CARACTÉRISTIQUES DU PRODUIT



DESIGN:	Classic, contemporary sconce with mitred stem and screw mount diffuser.
LIGHT SOURCE:	LED and other light sources also available.
STRUCTURE:	Die-stamped steel and tubular steel structure with plated finish.
DIFFUSER:	Hand blown frosted or white triplex glass (JDJ) or extruded clear ribbed glass (JMJ). Also available with a closed top acrylic shade (JDJA).
CERTIFIED:	c-CSA-us
CONCEPTION:	Applique cylindrique contemporaine et classique munie d'une tige et d'un filet pour visser le diffuseur.
SOURCE LUMINEUSE:	DEL et autres sources offertes.
STRUCTURE:	Acier embouti et structure d'acier tubulaire plaquées.
DIFFUSEUR:	Verre triplex givré ou blanc soufflé à la main (JDJ) ou extrudé strié clair (JMJ). Aussi offert avec un diffuseur en acrylique au dessus fermé (JDJA).
CERTIFIÉ:	c-CSA-us

FAMILY FAMILLE



1181A



4156B-JMJ



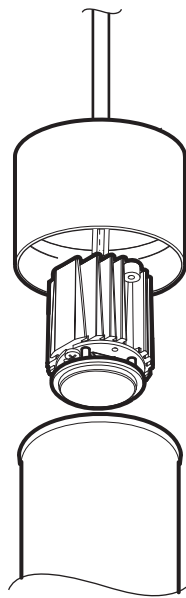
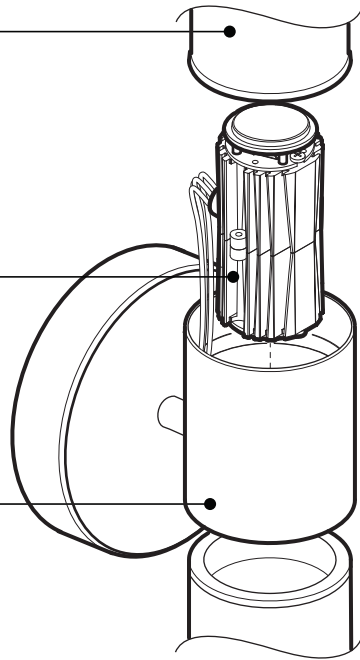
4424-JMJ

WALL MOUNT 3155B-JMJ/JDJ/JDJA

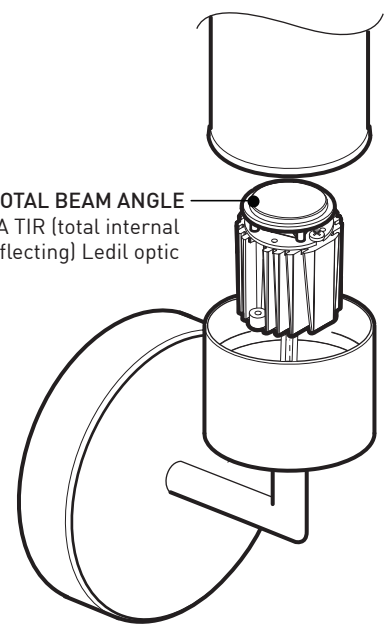
SUSPENSION 4156B-JMJ/JDJ/JDJA

WALL MOUNT 3156B-JMJ/JDJ/JDJA

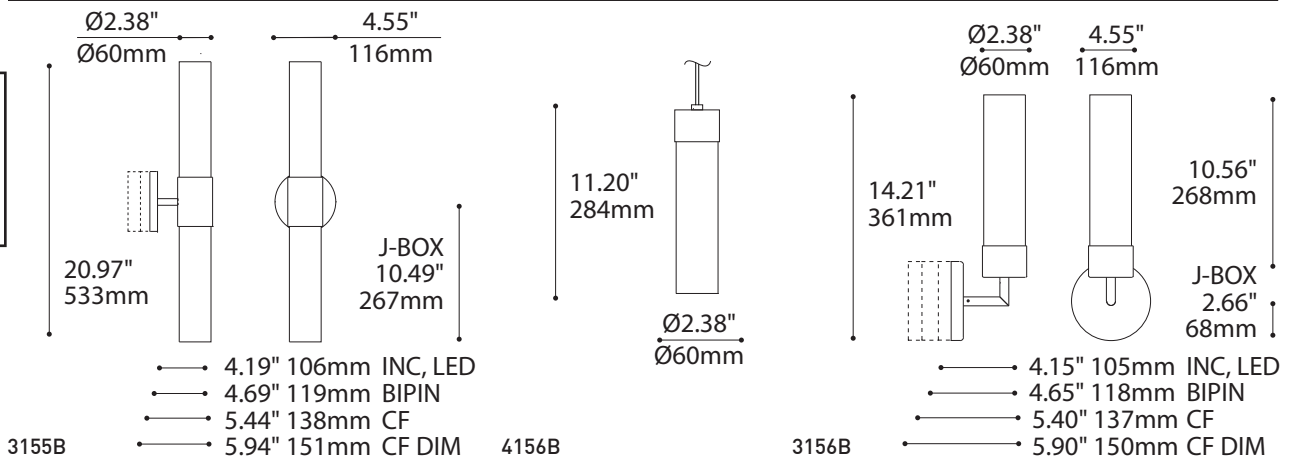
- SCREW MOUNT GLASS
- JMJ-CLR
Extruded clear or frosted ribbed glass
- JDJ-WH/FRO
Hand blown white triplex glass
- JDJA-WH
Closed top white acrylic shade
- LED MODULE WITH DIE-CAST ALUMINUM HEATSINK (DOUBLE FOR 3155B)
Black anodized for improved thermal management
- STRUCTURE
Die-stamped steel with plated finish



48° TOTAL BEAM ANGLE
PMMA TIR (total internal reflecting) Ledil optic



OTHER LIGHT SOURCES AVAILABLE
Fluorescent
Halogen (for JDJ/JMJ)
Incandescent (for JDJ/JMJ)



SPECIFICATIONS

LIGHT SOURCE MODULE
LUMENS (ESTIMATED)
CRI
ROHS
VOLTAGE
DRIVER
DIMMING
WARRANTY
LM-79 & CERTIFICATION

3155B LED

2 x Nichia - total ±8 w
UL recognized - made in USA
752 lm (3000K) - 936 lm (4000K) initial
85 CRI (typical)
Compliant
120V - 240V
350 mA
Phase dimming (DP) & 0-10V Dimming (DV)
5 years (on electronic components)
On request & CSA recognized

4156B /3156B LED

1 x Luxeon Rebel ES on MCPCB - total ±4 w
376 lm (3000K) - 468 lm (4000K) initial

SPECIFICATIONS

LIGHT SOURCE
VOLTAGE

Fluorescent

CFL 13/18/26 w (x 2 for 3155B)
120V-277V-347V, 120V for GX23
(dimming option available)

Halogen (for JDJ/JMJ)

Bipin 50 w (35 w x 2 for 3155B)
120V-277V

Incandescent (for JDJ/JMJ)

B10/T10 100 w (x 2 for 3155B)
120V

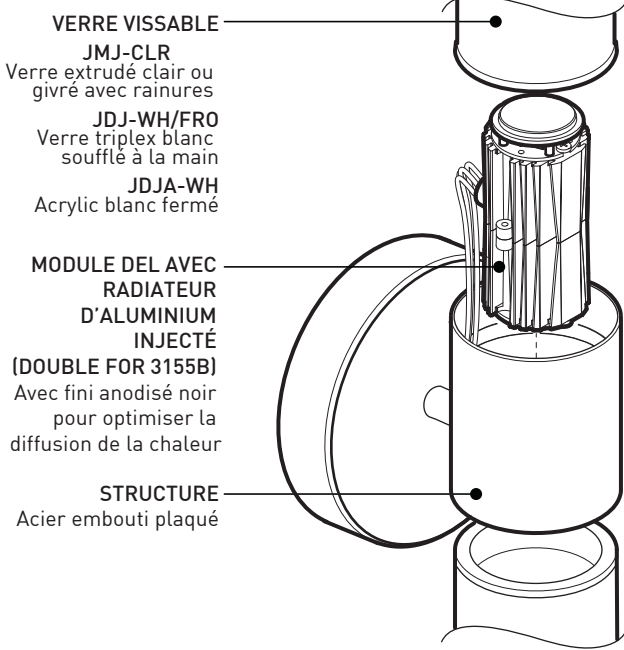


225 de Liège Ouest, Suite #200
Montréal (QC), Canada H2P 1H4
Tel : 514.385.3515 Fax : 514.385.4169
www.eurekalighting.com

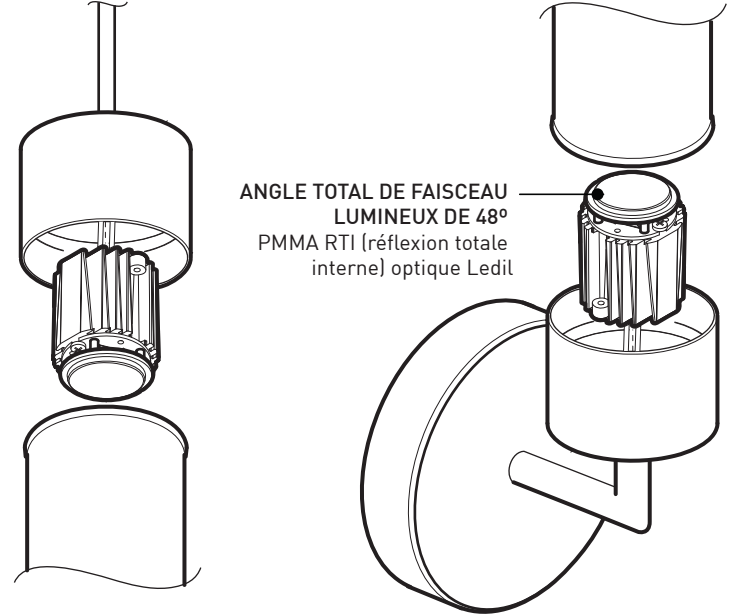


3155B 4156B
3156B

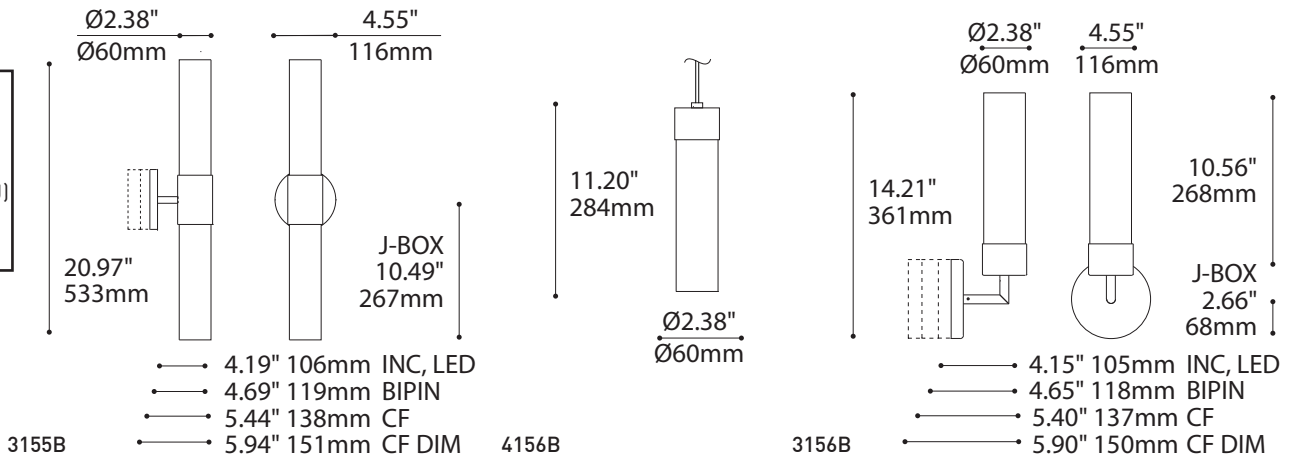
APPLIQUE MURALE 3155B-JMJ/JDJ/JDJA



SUSPENSION 4156B-JMJ/JDJ/JDJA APPLIQUE MURALE 3156B-JMJ/JDJ/JDJA



AUTRES SOURCES LUMINEUSES DISPONIBLES
Fluorescent
Halogène (pour JDJ/JMJ)
Incandescent (pour JDJ/JMJ)



SPECIFICATIONS

SOURCE LUMINEUSE
MODULE
LUMENS (ESTIMÉ)
IRC
ROHS
VOLTAGE
PILOTE
GRADATION
GARANTIE
LM-79 & CERTIFICATION

3155B DEL

2 x Nichia - total ±8 w
Reconnu par UL - fabriqué aux États-Unis
752 lm (3000K) - 936 lm (4000K) initial
85 CRI (typique)
Conforme
120V - 240V
350 mA
Gradation phase [DP] & Gradation 0-10V [DV]
5 ans (sur les composantes électroniques)
Sur demande & reconnu par CSA

4156B /3156B DEL

1 x Nichia - total ±4 w
376 lm (3000K) - 468 lm (4000K) initial

SPECIFICATIONS

SOURCE LUMINEUSE
VOLTAGE

Fluorescent

CFL 13/18/26 w (x 2 pour 3155B)
120V-277V-347V, 120V pour GX23
(option de gradation disponible)

Halogène (for JDJ/JMJ)

Bipin 50 w (35 w x 2 pour 3155B)
120V-277V

Incandescent (for JDJ/JMJ)

B10/T10 100 w (x 2 pour 3155B)
120V



225 de Liège Ouest, Suite #200
Montréal (QC), Canada H2P 1H4
Tel : 514.385.3515 Fax : 514.385.4169
www.eurekalighting.com



3155B 4156B
3156B