

SILENE CLASSIC 3156B-JDJ / JDJA

PROJECT PROJET

SPEC TYPE

NOTES

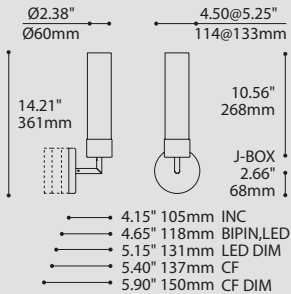


OPTIONS



JDJ-FRO JDJ-WH JDJA-WH (ACRYLIC)

3156B-JDJ/3156B-JDJA



FAMILY FAMILLE



4156B-JDJ/JDJA

4424-JDJ/JDJA

ORDERING SPECIFICATION SPÉCIFICATION DE COMMANDE

CODE

MODEL MODÈLE

3156B-JDJ SILENE CLASSIC JDJ
 3156B-JDJA SILENE CLASSIC JDJA (CLOSED TOP ACRYLIC DIFFUSER)

LIGHT SOURCE SOURCE LUMINEUSE

(WATTAGE, LAMP TYPE, LAMP FORM, BASE TYPE, OTHER INFO)

3156B-JDJ

CF.D.13 13W, CFL, DOUBLE TWIN TUBE, G24Q1 BASE
 CF.D.18 18W, CFL, DOUBLE TWIN TUBE, G24Q2 BASE
 CF.D.26 26W, CFL, DOUBLE TWIN TUBE, G24Q3 BASE
 BIPIN.50 50W, HAL, BIPIN, GY6.35 BASE
 LED.4 4W, LED

3156B-JDJA

CF.D.13 13W, CFL, DOUBLE TWIN TUBE, G24Q1 BASE
 CF.D.18 18W, CFL, DOUBLE TWIN TUBE, G24Q2 BASE
 LED.4 4W, LED

COLOR TEMPERATURE TEMPÉRATURE DE COULEUR

FOR LED ONLY

30 3000K
 35 3500K
 40 4000K

VOLTAGE VOLTAGE

120V 120 VOLT
 277V 277 VOLT
 347V* 347 VOLT
 *ONLY AVAILABLE WITH CF.D.13, CF.D.18, CF.D.26 (NON-DIMMING BALLAST)

DIMMING OPTION OPTION DE GRADATION

AVAILABLE WITH CF.D.18 & CF.D.26 ONLY

DM1 ADVANCE MARK 10 ELECTRONIC DIMMING BALLAST
 DED LUTRON ECOSYSTEM ELECTRONIC DIMMING BALLAST (ECOSYSTEM DIGITAL LINK WIRING)
 DE3 LUTRON ECOSYSTEM ELECTRONIC DIMMING BALLAST (3-WIRE WIRING)

AVAILABLE WITH CF.D.13, CF.D.18 & CF.D.26 ONLY

DM7 ADVANCE MARK 7 ELECTRONIC DIMMING BALLAST

FOR LED ONLY

DV 0-10V DIMMING (120-277V)
 DP PHASE DIMMING (120V ONLY)

MOUNTING MONTAGE

RC

RC ROUND CANOPY / PAVILLON ROND
 FOR HAL & LED: 1.00" CANOPY (2401E)
 FOR CFL: 1.75" CANOPY (2402G)
 FOR ELECTRONIC CFL DIMMABLE: 2.25" CANOPY (2402J)
 FOR LED DIMMABLE: 1.75" CANOPY (2403G)

STRUCTURE FINISH FINI STRUCTURE

S C SATIN CHROME
 CHR CHROME

DIFFUSER FINISH FINI DIFFUSEUR

3156B-JDJ
 WH WHITE
 FRO FROSTED

3156B-JDJA
 WH WHITE

PRODUCT CHARACTERISTICS CARACTÉRISTIQUES DU PRODUIT



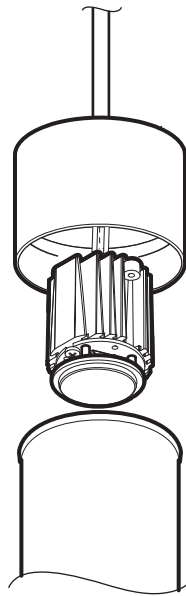
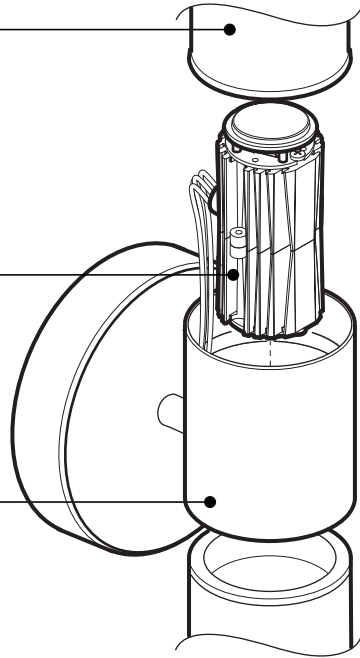
DESIGN: Classic, contemporary sconce with mitred stem and screw mount diffuser.
LIGHT SOURCE: LED and other light sources also available.
STRUCTURE: Die-stamped steel and tubular steel structure with plated finish.
DIFFUSER: Hand blown frosted or white triplex glass (JDJ) or extruded clear ribbed glass (JMJ). Also available with a closed top acrylic shade (JDJA).
CERTIFIED: c-CSA-us
CONCEPTION: Applique cylindrique contemporaine et classique munie d'une tige et d'un filet pour visser le diffuseur.
SOURCE LUMINEUSE: DEL et autres sources offertes.
STRUCTURE: Acier embouti et structure d'acier tubulaire plaqués.
DIFFUSEUR: Verre triplex givré ou blanc soufflé à la main (JDJ) ou extrudé strié clair (JMJ). Aussi offert avec un diffuseur en acrylique au dessus fermé (JDJA).
CERTIFIÉ: c-CSA-us

WALL MOUNT 3155B-JMJ/JDJ/JDJA

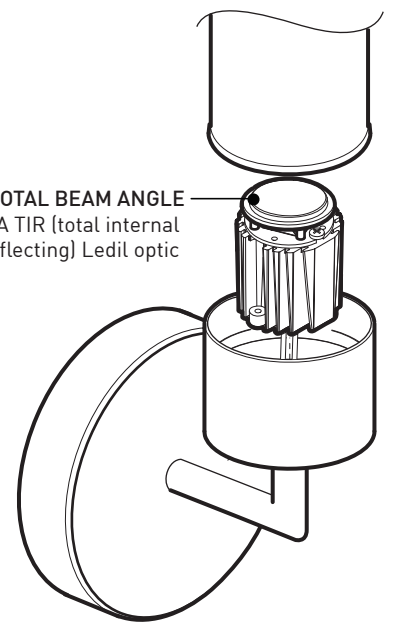
SUSPENSION 4156B-JMJ/JDJ/JDJA

WALL MOUNT 3156B-JMJ/JDJ/JDJA

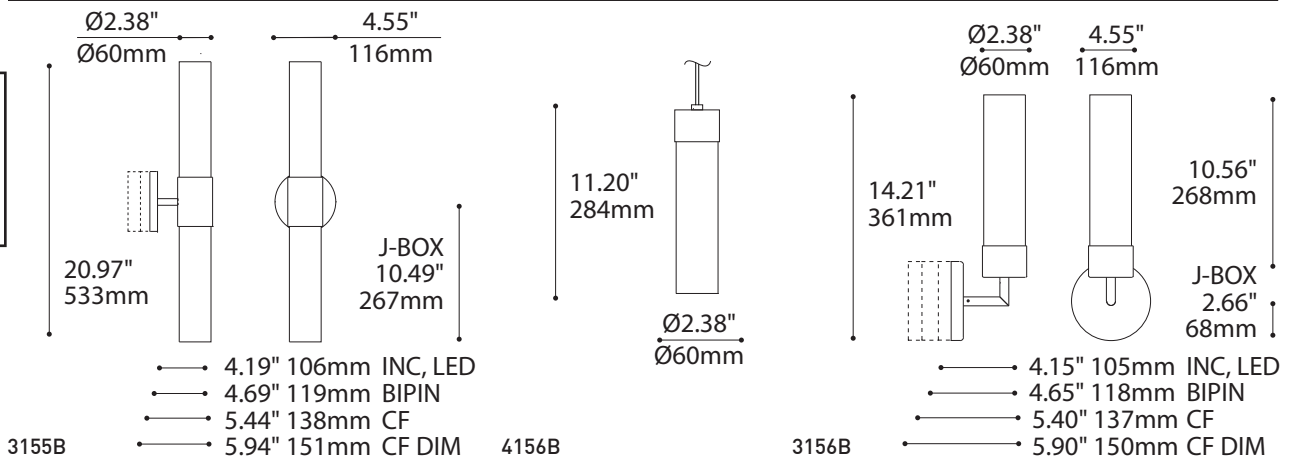
- SCREW MOUNT GLASS
- JMJ-CLR
Extruded clear or frosted ribbed glass
- JDJ-WH/FRO
Hand blown white triplex glass
- JDJA-WH
Closed top white acrylic shade
- LED MODULE WITH DIE-CAST ALUMINUM HEATSINK (DOUBLE FOR 3155B)
Black anodized for improved thermal management
- STRUCTURE
Die-stamped steel with plated finish



48° TOTAL BEAM ANGLE
PMMA TIR (total internal reflecting) Ledil optic



OTHER LIGHT SOURCES AVAILABLE
Fluorescent
Halogen (for JDJ/JMJ)
Incandescent (for JDJ/JMJ)



SPECIFICATIONS

	3155B LED	4156B /3156B LED
LIGHT SOURCE MODULE	2 x Nichia - total ±8 w UL recognized - made in USA	1 x Luxeon Rebel ES on MCPCB - total ±4 w
LUMENS (ESTIMATED)	752 lm (3000K) - 936 lm (4000K) initial	376 lm (3000K) - 468 lm (4000K) initial
CRI	85 CRI (typical)	
ROHS	Compliant	
VOLTAGE	120V - 240V	120V or 277V
DRIVER	350 mA	350 mA
DIMMING	Phase dimming (DP) & 0-10V Dimming (DV)	
WARRANTY	5 years (on electronic components)	
LM-79 & CERTIFICATION	On request & CSA recognized	

SPECIFICATIONS

	Fluorescent	Halogen (for JDJ/JMJ)	Incandescent (for JDJ/JMJ)
LIGHT SOURCE	CFL 13/18/26 w (x 2 for 3155B)	Bipin 50 w (35 w x 2 for 3155B)	B10/T10 100 w (x 2 for 3155B)
VOLTAGE	120V-277V-347V, 120V for GX23 (dimming option available)	120V-277V	120V

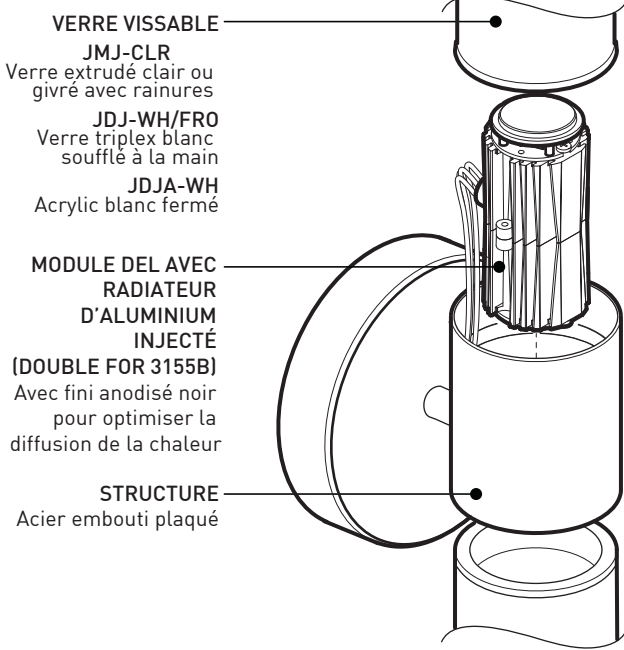


225 de Liège Ouest, Suite #200
Montréal (QC), Canada H2P 1H4
Tel : 514.385.3515 Fax : 514.385.4169
www.eurekalighting.com

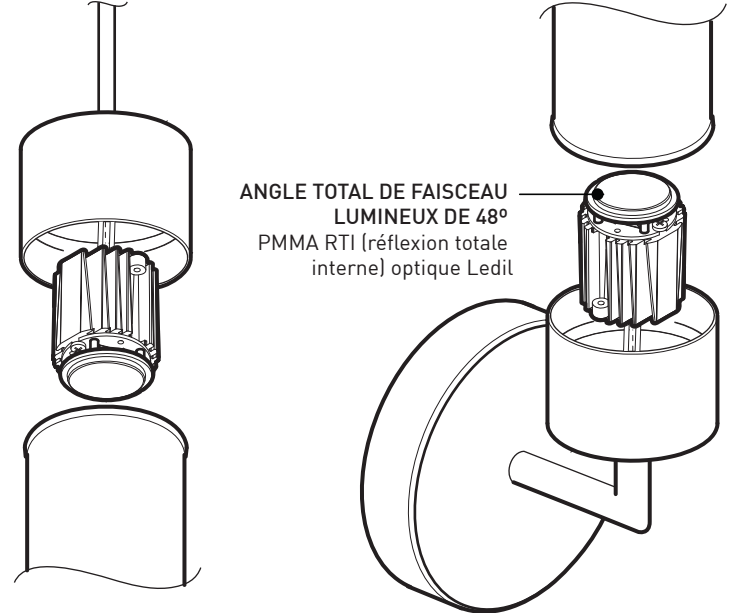


3155B 4156B
3156B

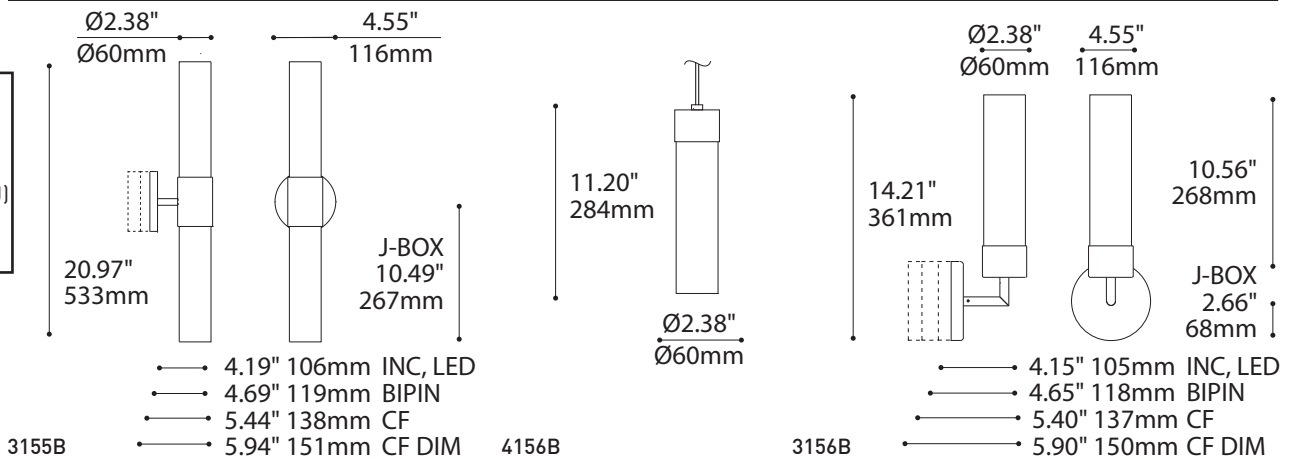
APPLIQUE MURALE 3155B-JMJ/JDJ/JDJA



SUSPENSION 4156B-JMJ/JDJ/JDJA APPLIQUE MURALE 3156B-JMJ/JDJ/JDJA



AUTRES SOURCES LUMINEUSES DISPONIBLES
Fluorescent
Halogène (pour JDJ/JMJ)
Incandescent (pour JDJ/JMJ)



SPECIFICATIONS

SOURCE LUMINEUSE
MODULE
LUMENS (ESTIMÉ)
IRC
ROHS
VOLTAGE
PILOTE
GRADATION
GARANTIE
LM-79 & CERTIFICATION

3155B DEL

2 x Nichia - total ±8 w
Reconnu par UL - fabriqué aux États-Unis
752 lm (3000K) - 936 lm (4000K) initial
85 CRI (typique)
Conforme
120V - 240V
350 mA
Gradation phase [DP] & Gradation 0-10V [DV]
5 ans (sur les composantes électroniques)
Sur demande & reconnu par CSA

4156B /3156B DEL

1 x Nichia - total ±4 w
376 lm (3000K) - 468 lm (4000K) initial
120V ou 277V
350 mA

SPECIFICATIONS

SOURCE LUMINEUSE
VOLTAGE

Fluorescent

CFL 13/18/26 w (x 2 pour 3155B)
120V-277V-347V, 120V pour GX23
(option de gradation disponible)

Halogène (for JDJ/JMJ)

Bipin 50 w (35 w x 2 pour 3155B)
120V-277V

Incandescent (for JDJ/JMJ)

B10/T10 100 w (x 2 pour 3155B)
120V



225 de Liège Ouest, Suite #200
Montréal (QC), Canada H2P 1H4
Tel : 514.385.3515 Fax : 514.385.4169
www.eurekalighting.com



3155B 4156B
3156B