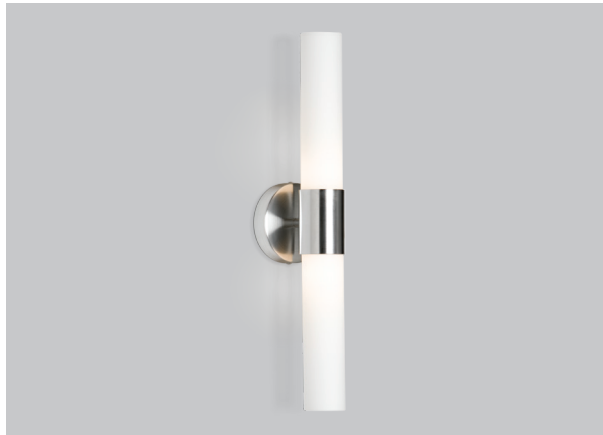


SILENE CLASSIC DOUBLE 3155B-JDJ / JDJA

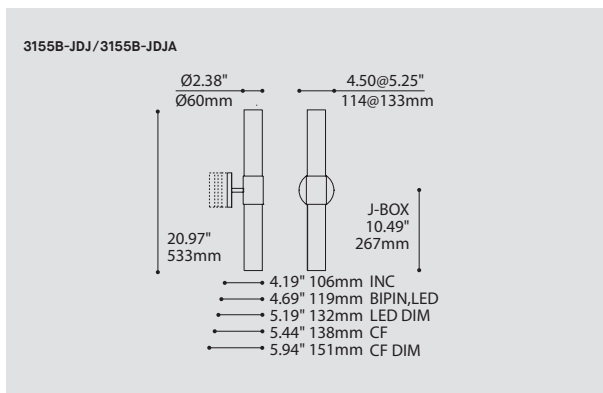
PROJECT PROJET
SPEC TYPE
NOTES



OPTIONS



JDJ-FRO JDJ-WH JDJA-WH (ACRYLIC)



FAMILY FAMILLE



4156B-JDJ/JDJA

4424-JDJ/JDJA

ORDERING SPECIFICATION SPÉCIFICATION DE COMMANDE

CODE

MODEL MODÈLE

3155B-JDJ SILENE CLASSIC DOUBLE JDJ
3155B-JDJA SILENE CLASSIC DOUBLE JDJA (CLOSED TOP AND BOTTOM ACRYLIC DIFFUSER)

LIGHT SOURCE SOURCE LUMINEUSE

(WATTAGE, LAMP TYPE, LAMP FORM, BASE TYPE, OTHER INFO)

3155B-JDJ
2XCF.D.13 13W X 2, CFL, DOUBLE TWIN TUBE, G24Q1 BASE
2XCF.D.18 18W X 2, CFL, DOUBLE TWIN TUBE, G24Q2 BASE
2XCF.D.26 26W X 2, CFL, DOUBLE TWIN TUBE, G24Q3 BASE
2XBIPIN.35 35W X 2, HAL, BIPIN, GY6.35 BASE
2XLED.4 4W X 2, LED

3155B-JDJA
2XCF.D.13 13W X 2, CFL, DOUBLE TWIN TUBE, G24Q1 BASE
2XCF.D.18 18W X 2, CFL, DOUBLE TWIN TUBE, G24Q2 BASE
2XLED.4 4W X 2, LED

COLOR TEMPERATURE TEMPÉRATURE DE COULEUR

FOR LED ONLY

30 3000K
35 3500K
40 4000K

VOLTAGE VOLTAGE

120V 120 VOLT
277V 277 VOLT
347V* 347 VOLT

*ONLY AVAILABLE WITH 2XCF.D.13, 2XCF.D.18, 2XCF.D.26 (NON-DIMMING BALLAST)

DIMMING OPTION OPTION DE GRADATION

AVAILABLE WITH 2XCF.D.18 & 2XCF.D.26 ONLY

DM1 ADVANCE MARK 10 ELECTRONIC DIMMING BALLAST
DED LUTRON ECOSYSTEM ELECTRONIC DIMMING BALLAST (ECOSYSTEM DIGITAL LINK WIRING)
DE3 LUTRON ECOSYSTEM ELECTRONIC DIMMING BALLAST (3-WIRE WIRING)

AVAILABLE WITH 2XCF.D.13, 2XCF.D.18 & 2XCF.D.26 ONLY

DM7 ADVANCE MARK 7 ELECTRONIC DIMMING BALLAST

FOR LED ONLY

DV 0-10V DIMMING (120-277V)
DP PHASE DIMMING (120V ONLY)

MOUNTING MONTAGE

RC

RC ROUND CANOPY / PAVILLON ROND
 FOR HAL & LED: 1.00" CANOPY (2401E)
 FOR CFL: 1.75" CANOPY (2402G)
 FOR ELECTRONIC CFL DIMMABLE: 2.25" CANOPY (2402J)
 FOR LED DIMMABLE: 1.75" CANOPY (2403G)

STRUCTURE FINISH FINI STRUCTURE

S C SATIN CHROME
CHR CHROME

DIFFUSER FINISH FINI DIFFUSEUR

3155B-JDJ
WH WHITE
FRO FROSTED

3155B-JDJA
WH WHITE

PRODUCT CHARACTERISTICS CARACTÉRISTIQUES DU PRODUIT



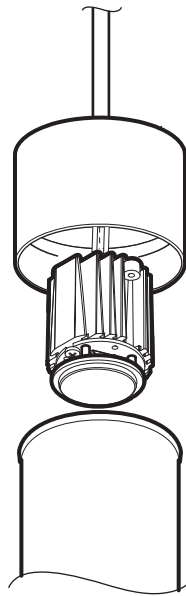
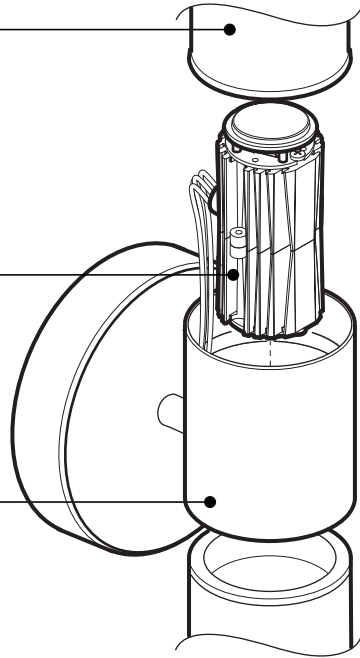
DESIGN: Double silene diffuser sconce with straight stem and screw mount diffuser.
LIGHT SOURCE: LED and other light sources also available.
STRUCTURE: Die-stamped steel and tubular steel structure with plated finish.
DIFFUSER: Hand blown frosted or white triplex glass (JDJ) or extruded clear ribbed diffuser (JMJ). Also available with a closed top and bottom acrylic shade (JDJA).
CERTIFIED: c-CSA-us
CONCEPTION: Applique double munie d'une tige droite et de filets pour visser le diffuseur.
SOURCE LUMINEUSE: DEL et autres sources offertes.
STRUCTURE: Acier embouti et structure d'acier tubulaire plaquées.
DIFFUSEUR: Diffuseur triplex givré ou blanc soufflé à la main (JDJ) ou extrudé strié clair (JMJ). Aussi offert avec un diffuseur en acrylique au dessus et dessous fermé (JDJA).
CERTIFIÉ: c-CSA-us

WALL MOUNT 3155B-JMJ/JDJ/JDJA

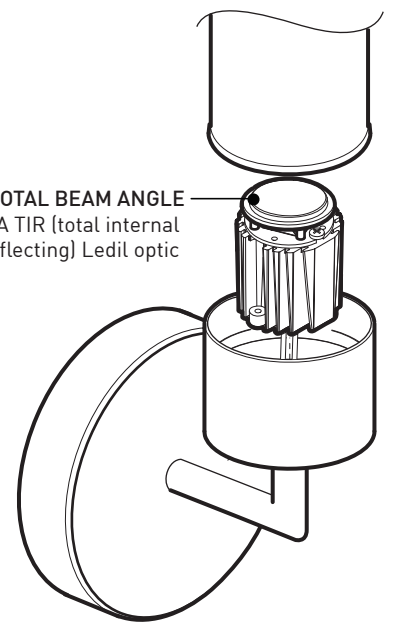
SUSPENSION 4156B-JMJ/JDJ/JDJA

WALL MOUNT 3156B-JMJ/JDJ/JDJA

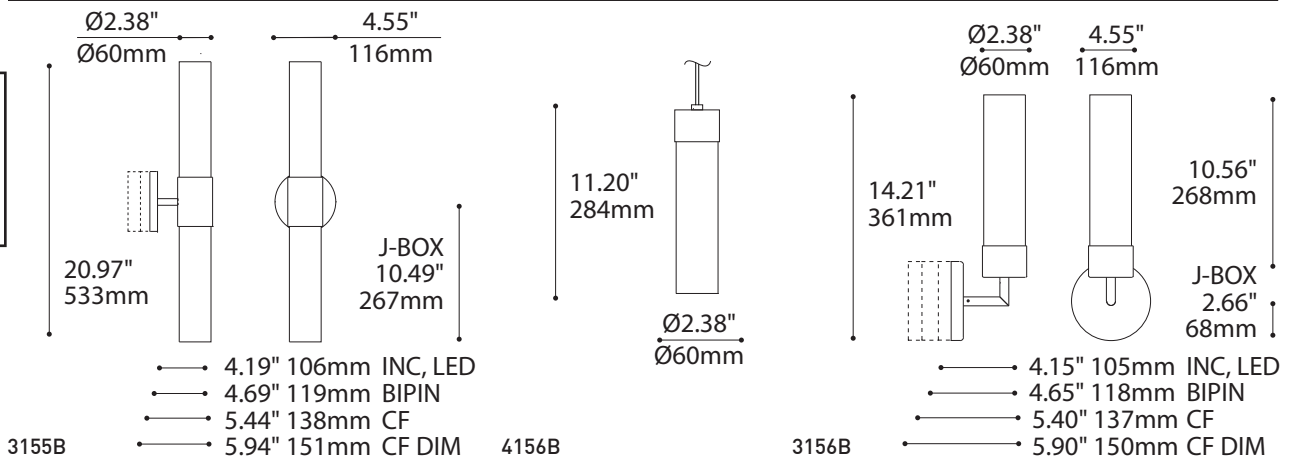
- SCREW MOUNT GLASS
JMJ-CLR
Extruded clear or frosted ribbed glass
- JDJ-WH/FRO
Hand blown white triplex glass
- JDJA-WH
Closed top white acrylic shade
- LED MODULE WITH DIE-CAST ALUMINUM HEATSINK (DOUBLE FOR 3155B)
Black anodized for improved thermal management
- STRUCTURE
Die-stamped steel with plated finish



48° TOTAL BEAM ANGLE
PMMA TIR (total internal reflecting) Ledil optic



OTHER LIGHT SOURCES AVAILABLE
Fluorescent
Halogen (for JDJ/JMJ)
Incandescent (for JDJ/JMJ)



SPECIFICATIONS

LIGHT SOURCE MODULE
LUMENS (DELIVERED)
CRI
ROHS
VOLTAGE
DRIVER
DIMMING
WARRANTY
LM-79 & CERTIFICATION

3155B LED

2 x Nichia - total ±8 w
UL recognized - made in USA
884 lm
85 CRI [typical]
Compliant
120V - 240V
350 mA
Phase dimming (DP) & 0-10V Dimming (DV)
5 years (on electronic components)
On request & CSA recognized

4156B /3156B LED

1 x Luxeon Rebel ES on MCPCB - total ±4 w
4688 lm (4000K)
120V or 277V
350 mA

SPECIFICATIONS

LIGHT SOURCE
VOLTAGE

Fluorescent

CFL 13/18/26 w (x 2 for 3155B)
120V-277V-347V, 120V for GX23
(dimming option available)

Halogen (for JDJ/JMJ)

Bipin 50 w (x 2 for 3155B)
120V-277V

Incandescent (for JDJ/JMJ)

B10/T10 100 w (x 2 for 3155B)
120V



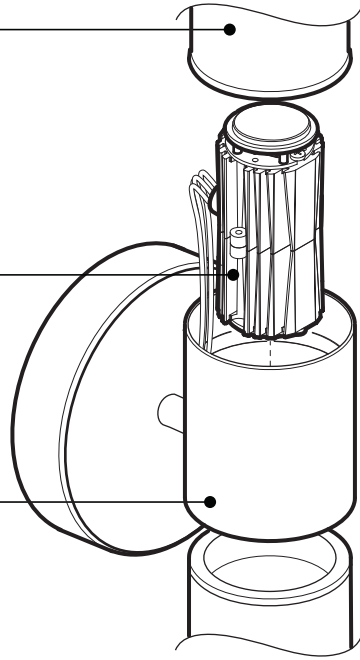
225 de Liège Ouest, Suite #200
Montréal (QC), Canada H2P 1H4
Tel : 514.385.3515 Fax : 514.385.4169
www.eurekalighting.com



3155B 4156B
3156B

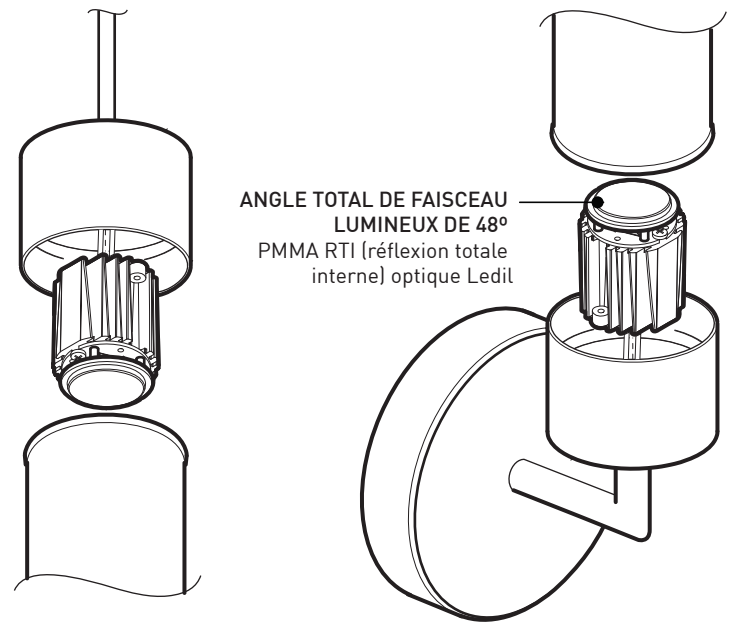
APPLIQUE MURALE 3155B-JMJ/JDJ/JDJA

- VERRE VISSABLE
JMJ-CLR
Verre extrudé clair ou
givré avec rainures
- JDJ-WH/FRO
Verre triplex blanc
soufflé à la main
- JDJA-WH
Acrylic blanc fermé
- MODULE DEL AVEC
RADIATEUR
D'ALUMINIUM
INJECTÉ
(DOUBLE FOR 3155B)
Avec fini anodisé noir
pour optimiser la
diffusion de la chaleur
- STRUCTURE
Acier embouti plaqué

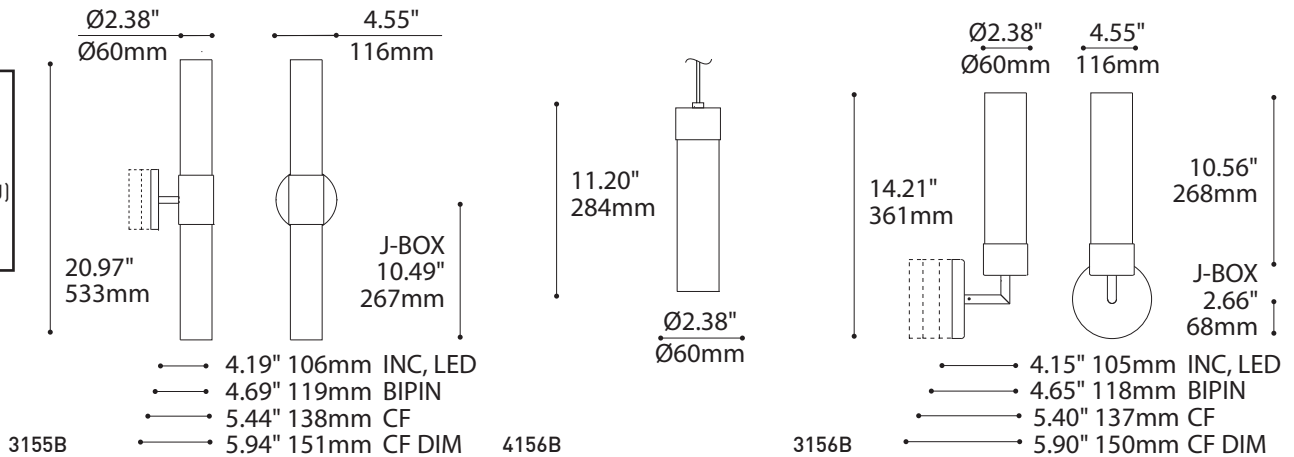


SUSPENSION 4156B-JMJ/JDJ/JDJA APPLIQUE MURALE 3156B-JMJ/JDJ/JDJA

- ANGLE TOTAL DE FAISCEAU
LUMINEUX DE 48°
- PMMA RTI (réflexion totale
interne) optique Ledil



**AUTRES SOURCES
LUMINEUSES
DISPONIBLES**
Fluorescent
Halogène (pour JDJ/JMJ)
Incandescent
(pour JDJ/JMJ)



SPECIFICATIONS

SOURCE LUMINEUSE
MODULE
LUMENS LIVRÉ
IRC
ROHS
VOLTAGE
PILOTE
GRADATION
GARANTIE
LM-79 & CERTIFICATION

3155B DEL

2 x Nichia - total ±8 w
Reconnu par UL - fabriqué aux États-Unis
884 lm
85 CRI [typique]
Conforme
120V - 240V
350 mA
Gradation phase [DP] & Gradation 0-10V [DV]
5 ans (sur les composantes électroniques)
Sur demande & reconnu par CSA

4156B /3156B DEL

1 x Nichia - total ±4 w
468lm
120V ou 277V
350 mA

SPECIFICATIONS

SOURCE LUMINEUSE
VOLTAGE

Fluorescent

CFL 13/18/26 w (x 2 pour 3155B)
120V-277V-347V, 120V pour GX23
(option de gradation disponible)

Halogène (for JDJ/JMJ)

Bipin 50 w (x 2 pour 3155B)
120V-277V

Incandescent (for JDJ/JMJ)

B10/T10 100 w (x 2 pour 3155B)
120V



225 de Liège Ouest, Suite #200
Montréal (QC), Canada H2P 1H4
Tel : 514.385.3515 Fax : 514.385.4169
www.eurekalighting.com



3155B 4156B
3156B