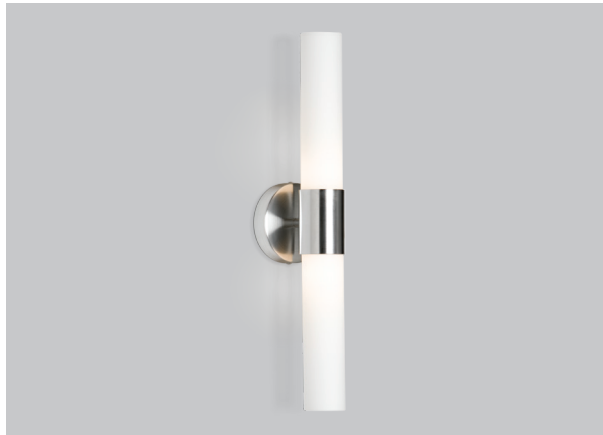


# SILENE CLASSIC DOUBLE 3155B-JDJ / JDJA

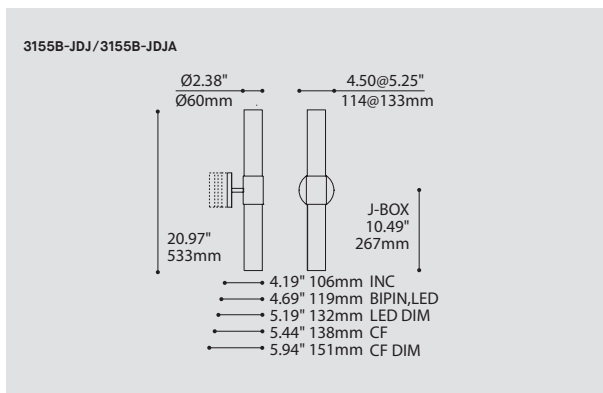
PROJECT PROJÉT
SPEC TYPE
NOTES



## OPTIONS



JDJ-FRO JDJ-WH JDJA-WH (ACRYLIC)



## FAMILY FAMILLE



4156B-JDJ/JDJA

4424-JDJ/JDJA

## ORDERING SPECIFICATION SPÉCIFICATION DE COMMANDE

CODE

### MODEL MODÈLE

3155B-JDJ SILENE CLASSIC DOUBLE JDJ  
 3155B-JDJA SILENE CLASSIC DOUBLE JDJA (CLOSED TOP AND BOTTOM ACRYLIC DIFFUSER)

### LIGHT SOURCE SOURCE LUMINEUSE

(WATTAGE, LAMP TYPE, LAMP FORM, BASE TYPE, OTHER INFO)

3155B-JDJ  
 2XCF.D.13 13W X 2, CFL, DOUBLE TWIN TUBE, G24Q1 BASE  
 2XCF.D.18 18W X 2, CFL, DOUBLE TWIN TUBE, G24Q2 BASE  
 2XCF.D.26 26W X 2, CFL, DOUBLE TWIN TUBE, G24Q3 BASE  
 2XBIPIN.35 35W X 2, HAL, BIPIN, GY6.35 BASE  
 2XLED.4 4W X 2, LED

3155B-JDJA  
 2XCF.D.13 13W X 2, CFL, DOUBLE TWIN TUBE, G24Q1 BASE  
 2XCF.D.18 18W X 2, CFL, DOUBLE TWIN TUBE, G24Q2 BASE  
 2XLED.4 4W X 2, LED

### COLOR TEMPERATURE TEMPÉRATURE DE COULEUR

FOR LED ONLY

30 3000K  
 35 3500K  
 40 4000K

### VOLTAGE VOLTAGE

120V 120 VOLT  
 277V 277 VOLT  
 347V\* 347 VOLT

\*ONLY AVAILABLE WITH 2XCF.D.13, 2XCF.D.18, 2XCF.D.26 (NON-DIMMING BALLAST)

### DIMMING OPTION OPTION DE GRADATION

AVAILABLE WITH 2XCF.D.18 & 2XCF.D.26 ONLY

DM1 ADVANCE MARK 10 ELECTRONIC DIMMING BALLAST  
 DE3 LUTRON ECOSYSTEM ELECTRONIC DIMMING BALLAST (ECOSYSTEM DIGITAL LINK WIRING)  
 DE3 LUTRON ECOSYSTEM ELECTRONIC DIMMING BALLAST (3-WIRE WIRING)

AVAILABLE WITH 2XCF.D.13, 2XCF.D.18 & 2XCF.D.26 ONLY

DM7 ADVANCE MARK 7 ELECTRONIC DIMMING BALLAST

FOR LED ONLY

DV 0-10V DIMMING (120-277V)  
 DP PHASE DIMMING (120V ONLY)

### MOUNTING MONTAGE

RC

RC ROUND CANOPY / PAVILLON ROND  
 FOR HAL & LED: 1.00" CANOPY (2401E)  
 FOR CFL: 1.75" CANOPY (2402G)  
 FOR ELECTRONIC CFL DIMMABLE: 2.25" CANOPY (2402J)  
 FOR LED DIMMABLE: 1.75" CANOPY (2403G)

### STRUCTURE FINISH FINI STRUCTURE

S C SATIN CHROME  
 CHR CHROME

### DIFFUSER FINISH FINI DIFFUSEUR

3155B-JDJ  
 WH WHITE  
 FRO FROSTED

3155B-JDJA  
 WH WHITE

## PRODUCT CHARACTERISTICS CARACTÉRISTIQUES DU PRODUIT



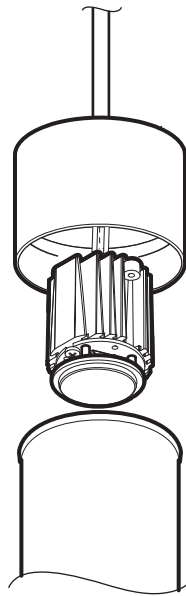
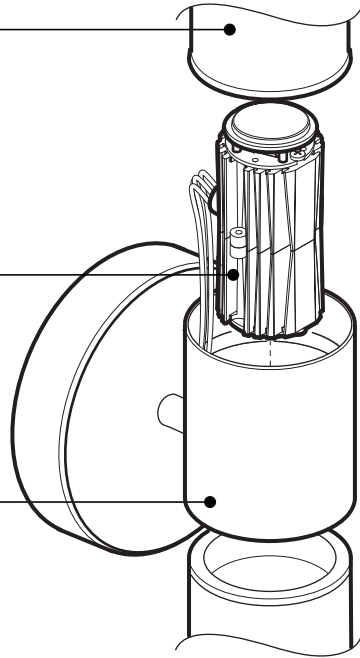
**DESIGN:** Double silene diffuser sconce with straight stem and screw mount diffuser.  
**LIGHT SOURCE:** LED and other light sources also available.  
**STRUCTURE:** Die-stamped steel and tubular steel structure with plated finish.  
**DIFFUSER:** Hand blown frosted or white triplex glass (JDJ) or extruded clear ribbed diffuser (JMJ). Also available with a closed top and bottom acrylic shade (JDJA).  
**CERTIFIED:** c-CSA-us  
**CONCEPTION:** Applique double munie d'une tige droite et de filets pour visser le diffuseur.  
**SOURCE LUMINEUSE:** DEL et autres sources offertes.  
**STRUCTURE:** Acier embouti et structure d'acier tubulaire plaquées.  
**DIFFUSEUR:** Diffuseur triplex givré ou blanc soufflé à la main (JDJ) ou extrudé strié clair (JMJ). Aussi offert avec un diffuseur en acrylique au dessus et dessous fermé (JDJA).  
**CERTIFIÉ:** c-CSA-us

WALL MOUNT 3155B-JMJ/JDJ/JDJA

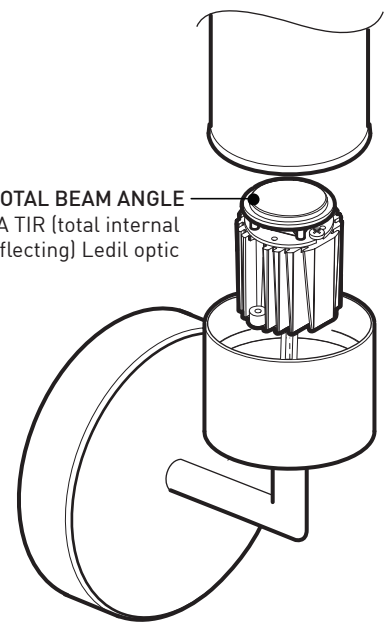
SUSPENSION 4156B-JMJ/JDJ/JDJA

WALL MOUNT 3156B-JMJ/JDJ/JDJA

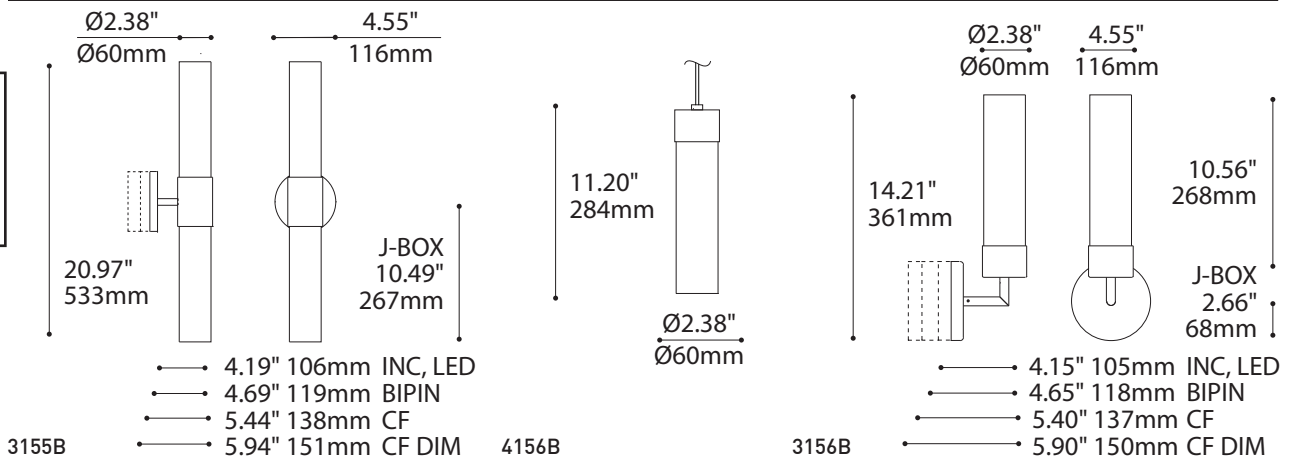
- SCREW MOUNT GLASS  
JMJ-CLR  
Extruded clear or frosted ribbed glass
- JDJ-WH/FRO  
Hand blown white triplex glass
- JDJA-WH  
Closed top white acrylic shade
- LED MODULE WITH DIE-CAST ALUMINUM HEATSINK (DOUBLE FOR 3155B)  
Black anodized for improved thermal management
- STRUCTURE  
Die-stamped steel with plated finish



48° TOTAL BEAM ANGLE  
PMMA TIR (total internal reflecting) Ledil optic



**OTHER LIGHT SOURCES AVAILABLE**  
Fluorescent  
Halogen (for JDJ/JMJ)  
Incandescent (for JDJ/JMJ)



## SPECIFICATIONS

LIGHT SOURCE MODULE  
LUMENS (DELIVERED)  
CRI  
ROHS  
VOLTAGE  
DRIVER  
DIMMING  
WARRANTY  
LM-79 & CERTIFICATION

### 3155B LED

2 x Nichia - total ±8 w  
UL recognized - made in USA  
884 lm  
85 CRI [typical]  
Compliant  
120V - 240V  
350 mA  
Phase dimming (DP) & 0-10V Dimming (DV)  
5 years (on electronic components)  
On request & CSA recognized

### 4156B /3156B LED

1 x Luxeon Rebel ES on MCPCB - total ±4 w  
4688 lm (4000K)  
120V or 277V  
350 mA

## SPECIFICATIONS

LIGHT SOURCE  
VOLTAGE

### Fluorescent

CFL 13/18/26 w (x 2 for 3155B)  
120V-277V-347V, 120V for GX23  
(dimming option available)

### Halogen (for JDJ/JMJ)

Bipin 50 w (x 2 for 3155B)  
120V-277V

### Incandescent (for JDJ/JMJ)

B10/T10 100 w (x 2 for 3155B)  
120V

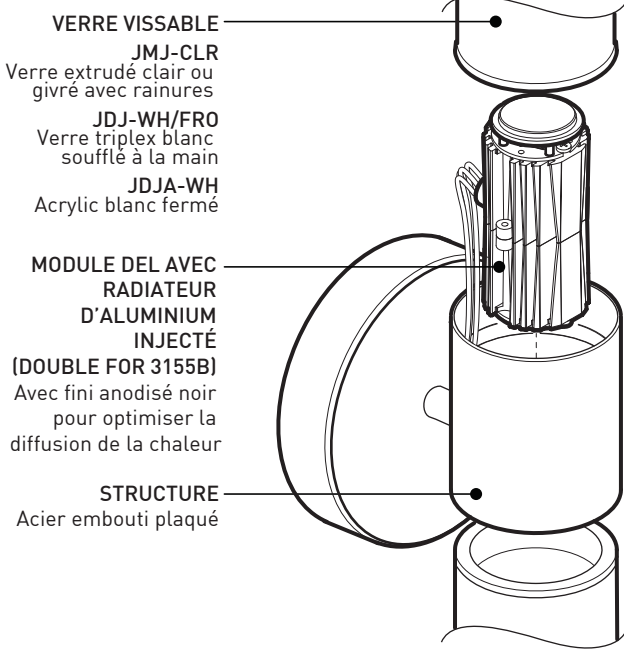


225 de Liège Ouest, Suite #200  
Montréal (QC), Canada H2P 1H4  
Tel : 514.385.3515 Fax : 514.385.4169  
www.eurekalighting.com

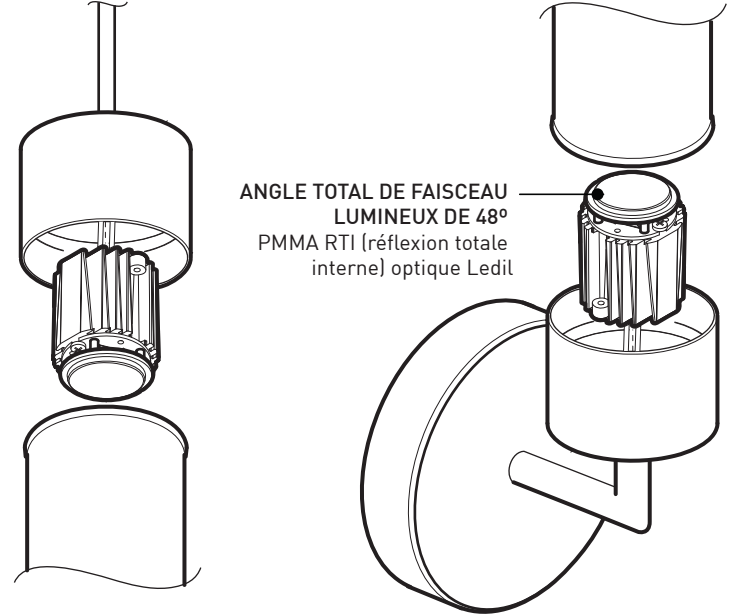


**3155B 4156B**  
**3156B**

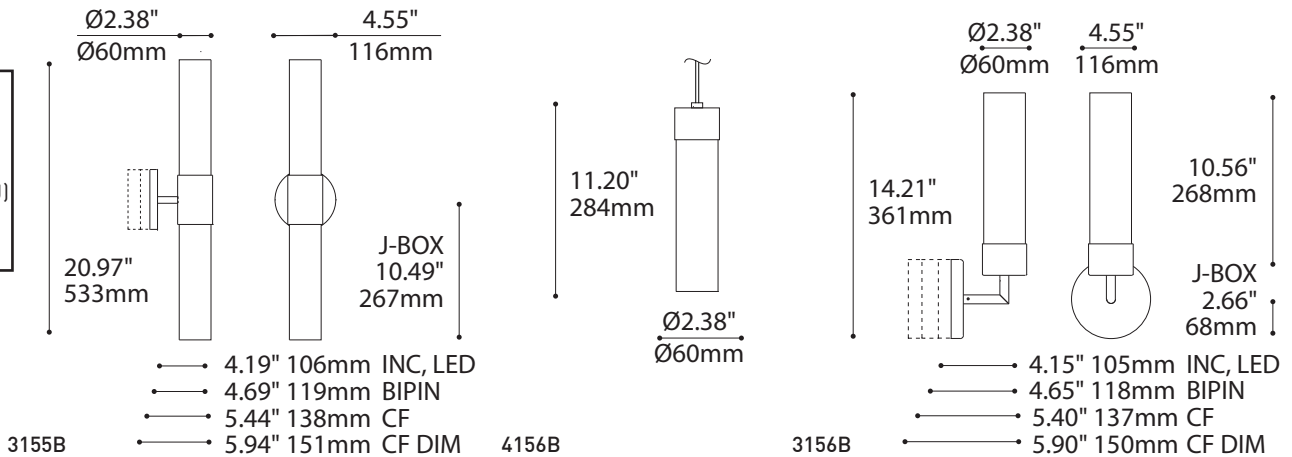
APPLIQUE MURALE 3155B-JMJ/JDJ/JDJA



SUSPENSION 4156B-JMJ/JDJ/JDJA APPLIQUE MURALE 3156B-JMJ/JDJ/JDJA



**AUTRES SOURCES LUMINEUSES DISPONIBLES**  
Fluorescent  
Halogène (pour JDJ/JMJ)  
Incandescent (pour JDJ/JMJ)



## SPECIFICATIONS

SOURCE LUMINEUSE  
MODULE  
LUMENS LIVRÉ  
IRC  
ROHS  
VOLTAGE  
PILOTE  
GRADATION  
GARANTIE  
LM-79 & CERTIFICATION

### 3155B DEL

2 x Nichia - total ±8 w  
Reconnu par UL - fabriqué aux États-Unis  
884 lm  
85 CRI [typique]  
Conforme  
120V - 240V  
350 mA  
Gradation phase [DP] & Gradation 0-10V [DV]  
5 ans (sur les composantes électroniques)  
Sur demande & reconnu par CSA

### 4156B /3156B DEL

1 x Nichia - total ±4 w  
468lm  
120V ou 277V  
350 mA

## SPECIFICATIONS

SOURCE LUMINEUSE  
VOLTAGE

### Fluorescent

CFL 13/18/26 w (x 2 pour 3155B)  
120V-277V-347V, 120V pour GX23  
(option de gradation disponible)

### Halogène (for JDJ/JMJ)

Bipin 50 w (x 2 pour 3155B)  
120V-277V

### Incandescent (for JDJ/JMJ)

B10/T10 100 w (x 2 pour 3155B)  
120V



225 de Liège Ouest, Suite #200  
Montréal (QC), Canada H2P 1H4  
Tel : 514.385.3515 Fax : 514.385.4169  
www.eurekalighting.com



**3155B 4156B**  
**3156B**