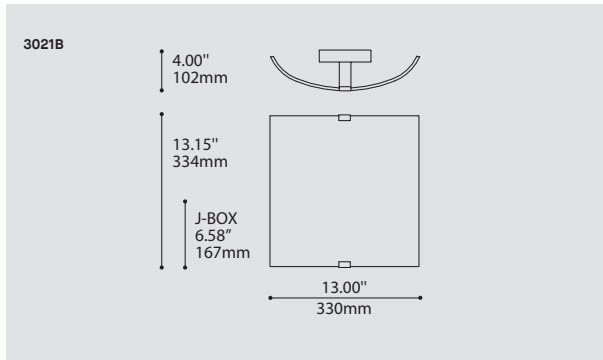


STYLOS 3021B

PROJECT PROJÉT
SPEC TYPE
NOTES



ORDERING SPECIFICATION SPÉCIFICATION DE COMMANDE

MODEL MODÈLE	3021B
LIGHT SOURCE SOURCE LUMINEUSE	
<small>(WATTAGE, LAMP TYPE, LAMP FORM, BASE TYPE, OTHER INFO)</small>	
2XCF.L.18	18W X 2, CFL, LONG TWIN TUBE T5, 2G11 BASE (9" MAX LAMP)
2XCF.D.13	13W X 2, CFL, DOUBLE TWIN TUBE, G24Q1 BASE
2XCF.D.26	26W X 2, CFL, DOUBLE TWIN TUBE, G24Q3 BASE
VOLTAGE VOLTAGE	
120V	120 VOLT
277V	277 VOLT
347V*	347 VOLT
	<small>*ONLY AVAILABLE WITH 2XCF.D.13 & 2XCF.D.26 (NON-DIMMING BALLAST)</small>
DIMMING OPTION OPTION DE GRADATION	
<small>AVAILABLE WITH 2XCF.D.26 ONLY</small>	
DED	LUTRON ECOSYSTEM ELECTRONIC DIMMING BALLAST (ECOSYSTEM DIGITAL LINK WIRING)
DE3	LUTRON ECOSYSTEM ELECTRONIC DIMMING BALLAST (3-WIRE WIRING)
EMERGENCY BATTERY BATTERIE D'URGENCE	
<small>AVAILABLE WITH 2XCF.L.18, 2XCF.D.13 AND 2XCF.D.26, 120V OR 277V ONLY</small>	
<small>NOT AVAILABLE WITH A DIMMING BALLAST</small>	
REM⁽¹⁾	REMOTE EMERGENCY BATTERY*
	<small>⁽¹⁾ 3981 ACCESSORY IS REQUIRED FOR THIS OPTION</small>
STRUCTURE FINISH FINI STRUCTURE	
CHR	CHROME
SC*	SATIN CHROME
WH*	WHITE
	<small>*LONGER LEAD TIME</small>
DIFFUSER FINISH FINI DIFFUSEUR	WH
WH	WHITE
ACCESSORY ACCESSOIRE	
3981	JUNCTION BOX FOR CFL REMOTE EMERGENCY BATTERY

PRODUCT CHARACTERISTICS CARACTÉRISTIQUES DU PRODUIT



DESIGN:	Simplicity defined, elegantly arcing shade supported by two small tabs. ADA compliant.
LIGHT SOURCE:	Wide range of energy saving and dimmable light sources available. Remote EM also available.
STRUCTURE:	Die-stamped steel structure with plated finish.
DIFFUSER:	Formed white silk-screen crystal glass.
CERTIFIED:	c-CSA-us
CONCEPTION:	La simplicité est définie par l'élégante forme courbée supportée par deux onglets. Conforme à la norme ADA.
SOURCE LUMINEUSE:	Plusieurs sources à faible consommation et ballasts à gradation disponibles. Batterie d'urgence à distance aussi disponible.
STRUCTURE:	Acier embouti plaqué.
DIFFUSEUR:	Verre cristal formé sérigraphié blanc.
CERTIFIÉ:	c-CSA-us