

MINI GIMBAL 2080 / 2080+2845

PROJECT PROJET

SPEC TYPE

NOTES



2080



2080+2845

OVERALL HEIGHT HAUTEUR HORS TOUT

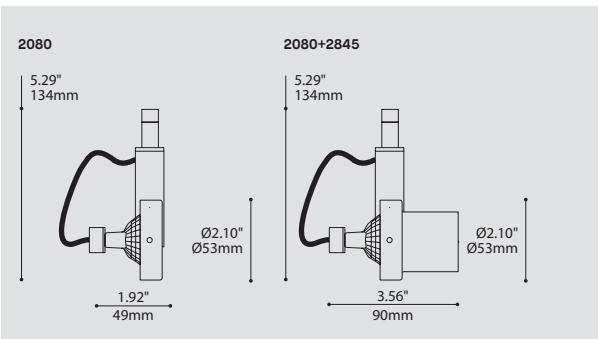
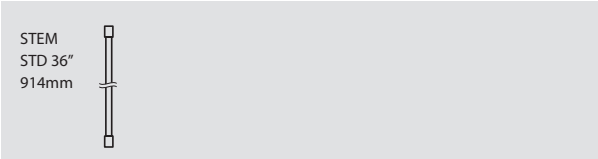
LIGHT SOURCE	HAL TRACK 1 CIRCUIT	INCTACK 1 CIRCUIT	HAL
MOUNTING	2734	2734B	2401E
STEM	42.90"	42.25"	41.90"

MOUNTING OPTIONS OPTIONS DE MONTAGE

2734	2734B	2401E
3.85" x 2.03" 98 x 52mm	1.46" x 1.36" 37 x 35mm	Ø4.50" x 1.00" Ø114 x 25mm

* OVERALL HEIGHT DOES NOT INCLUDE TRACK THICKNESS

STEM OR CABLE OPTIONS OPTIONS DE TIGE OU CABLE



ORDERING SPECIFICATION SPÉCIFICATION DE COMMANDE

CODE

MODEL MODÈLE

2080 MINI GIMBAL

2080

LIGHT SOURCE SOURCE LUMINEUSE

(WATTAGE, LAMP TYPE, LAMP FORM, BASE TYPE, OTHER INFO)

MR16C.50 50W, HAL, MR16C, GU5.3 BASE

GZ10.50 50W, HAL, MR16, GZ10 BASE (120V ONLY)

VOLTAGE VOLTAGE

120V 120 VOLT

277V* 277 VOLT

*NOT AVAILABLE WITH A TRACK ADAPTOR

STEM TIGE

S6 1/4" (6MM) STEM, FIELD ADJUSTABLE

- NO STEM

STEM LENGTH LONGUEUR DE TIGE

36 36" STEM (STD LENGTH)

** CUSTOM STEM LENGTH (PLEASE SPECIFY)

FOR OVERALL LENGTH PLEASE CONTACT YOUR EUREKA REPRESENTATIVE

MOUNTING MONTAGE

RC ROUND CANOPY / PAVILLON ROND
1.00" CANOPY (2401E)

TA1 TRACK ADAPTOR / ADAPTATEUR DE RAIL*

1 CIRCUIT

HAL 120/12V ADAPTOR (2734)

GZ10 120V ADAPTOR (2734B)

MOUNTING OPTION OPTION DE MONTAGE

SCA SLOPE CEILING ADAPTOR / ADAPTATEUR DE PLAFOND EN PENTE (ROTATION: 350°, PIVOT: 90°)

TRACK ADAPTOR FINISH FINI ADAPTATEUR DE RAIL^(A)

WH WHITE

BLK BLACK

M G METALLIC GRAY (1 CIRCUIT ONLY)

^(A) FILL IN IF A TRACK ADAPTOR IS SELECTED, OTHERWISE LEAVE EMPTY

STRUCTURE FINISH FINI STRUCTURE^(B)

BLK BLACK

WH WHITE

M G METALLIC GRAY

^(B) INCLUDE CANOPY FINISH IF A CANOPY IS SELECTED

ACCESSORY ACCESSOIRE

2845-BLK BLACK BAFFLE ACCESSORY

PRODUCT CHARACTERISTICS CARACTÉRISTIQUES DU PRODUIT



330°

90°

DESIGN:

An honest and raw look that reduces an MR16 spotlight to its simplest elements.

LIGHT SOURCE:

MR16 halogen with electronic transformer. Track adaptor available.

STRUCTURE:

Die-formed steel with machined brass & spring swivel. Available in three polyester powder finishes.

CERTIFIED:

c-CSA-us, c-UL-us

CONCEPTION:

Projecteur MR16 dans sa plus simple expression par ses formes authentiques.

SOURCE LUMINEUSE:

Halogène MR16 avec transformateur électronique. Système de rails offert.

STRUCTURE:

Acier embouti avec laiton usiné et pivot à ressort. Offert en peinture électrostatique à base de polyester.

CERTIFIÉ:

c-CSA-us, c-UL-us