

# DIAL 2061

PROJECT PROJÉT
SPEC TYPE
NOTES



## OPTIONS

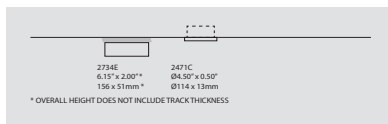


BLKE WHE CHR

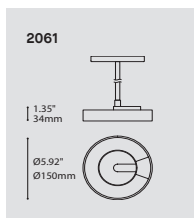
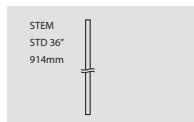
## OVERALL HEIGHT HAUTEUR HORS TOUT

	LED TRACK 1 CIRCUIT	LED 0.50" CANOPY
MOUNTING	2734E	2471C
STEM	39.95"	38.45"

## MOUNTING OPTIONS OPTIONS DE MONTAGE



## STEM OR CABLE OPTION OPTIONS DE TIGE OU CABLE



ORDERING SPECIFICATION	SPÉCIFICATION DE COMMANDE	CODE
<b>MODEL</b> MODÈLE		<b>2060</b>
2061	DIAL	
<b>LIGHT SOURCE</b> SOURCE LUMINEUSE		
<b>LED</b>	REGULAR OUTPUT	
<b>LED.HO</b>	HIGH OUTPUT	
<b>COLOR TEMPERATURE</b> TEMPÉRATURE DE COULEUR		
30	3000K	
35	3500K	
40	4000K	
<b>VOLTAGE</b> VOLTAGE		
120V	120 VOLT	
277V	277 VOLT	
<b>DIMMING OPTION</b> OPTION DE GRADATION *		
DV	0-10V DIMMING (120V-277V)	
DP	PHASE DIMMING (120V ONLY)	
	LED DIMMING DRIVER IS STANDARD IN THIS PRODUCT, PLEASE SPECIFY YOUR DIMMING TYPE. * 3983 ACCESSORY IS PROVIDED	
<b>STEM</b> TIGE		<b>S10</b>
S10	3/8" (10MM), STEM, NOT FIELD ADJUSTABLE	
<b>STEM LENGTH</b> LONGUEUR DE TIGE		
36	36" STEM (STD LENGTH)	
**	CUSTOM STEM LENGTH (PLEASE SPECIFY) FOR OVERALL LENGTH, PLEASE CONTACT YOUR EUREKA REPRESENTATIVE.	
<b>MOUNTING</b> MONTAGE		
RC	ROUND CANOPY / PAVILLON ROND SCREWLESS 0.5" CANOPY (2471C)	
TA1	TRACK ADAPTOR / ADAPTATEUR DE RAIL 1 CIRCUIT LED DIMMING 120V ADAPTOR (2734E)	
<b>TRACK ADAPTOR FINISH</b> FINI ADAPTATEUR DE RAIL <sup>(A)</sup>		
BLK	BLACK	
WH	WHITE	
	<sup>(A)</sup> FILL IN IF A TRACK ADAPTOR IS SELECTED, OTHERWISE LEAVE EMPTY.	
<b>CANOPY FINISH</b> FINI PAVILLON		
BLKE	BLACK FINE TEXTURE	
WHE	WHITE FINE TEXTURE	
<b>STRUCTURE FINISH</b> FINI STRUCTURE		<b>BLKE</b>
BLKE	BLACK FINE TEXTURE	
<b>CYLINDER FINISH</b> FINI CYLINDRE <sup>(B)</sup>		
BLKE	BLACK FINE TEXTURE	
WHE	WHITE FINE TEXTURE	
CHR	CHROME	
	<sup>(B)</sup> DIFFUSER IS ALWAYS WHITE	
<b>ACCESSORY</b> ACCESSOIRE		
3983	DEEP JUNCTION BOX	

## PRODUCT CHARACTERISTICS CARACTÉRISTIQUES DU PRODUIT



**DESIGN:** A different take on the Dial, including a new LED module softened by a diffuser to create an ambient ring of light. A pivot for suspended application offers 350° of rotation and up to 80° of tilting. Available on various stem lengths to fit any given space.

**INSTALLATION:** Simple installation on stem with screwless canopy. Deep junction box (3983) included.

**LIGHT SOURCE:** LED module composed of 48 mid-power LEDs. Offered with standard dimming options 0-10V (DV) or phase (DP).

**STRUCTURE:** Aluminum structure and custom die-cast heatsink with black fine textured finish. CNC machined aluminum exterior ring available in white or black fine textured finishes, or polished chrome.

**CERTIFIED:** c-CSA-us

# ANATOMY

LED

DIM

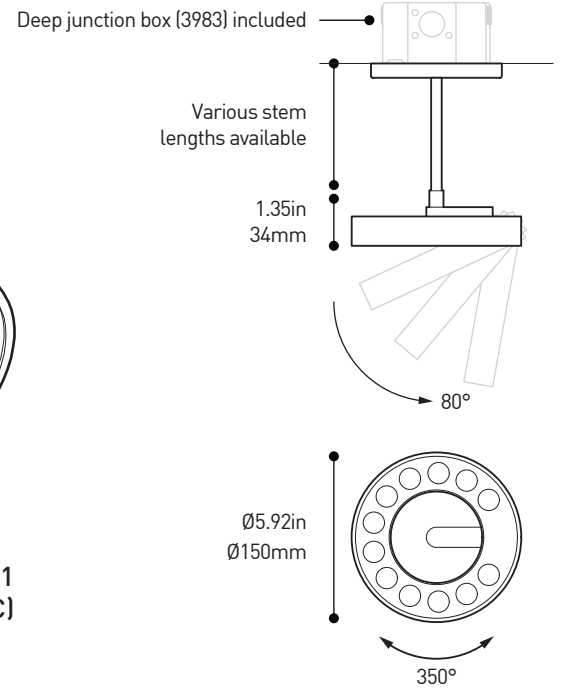
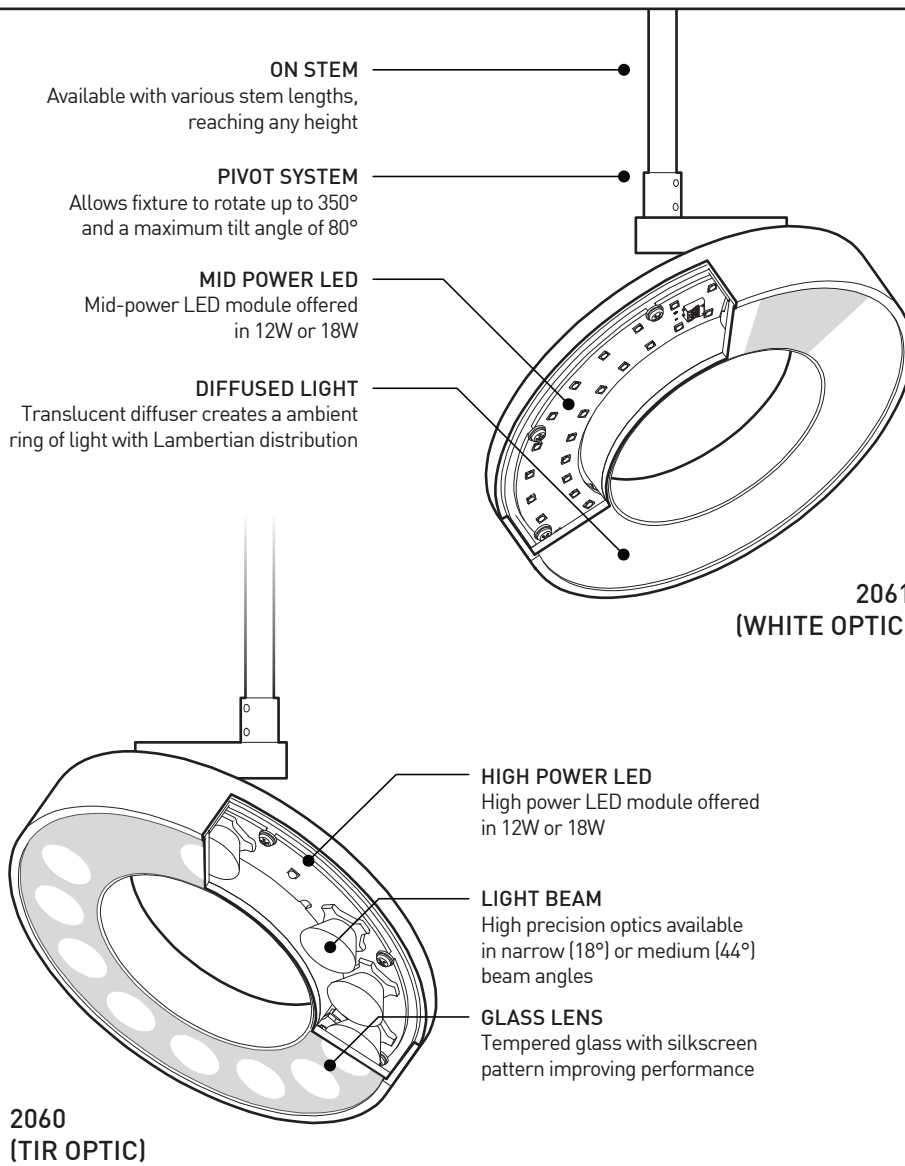
BIM

IES

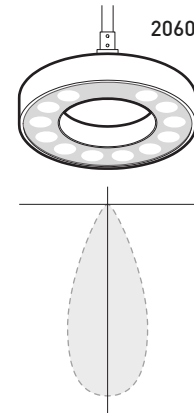
80°

350°

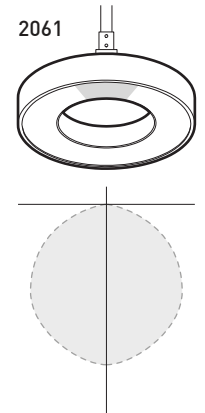
# DIAL-SUSPENDED



**DIRECT PROJECTOR**  
High precision optics create a tight beam angle



**AMBIENT GLOW**  
Translucent diffuser creates a Lambertian distribution



## SPECIFICATIONS

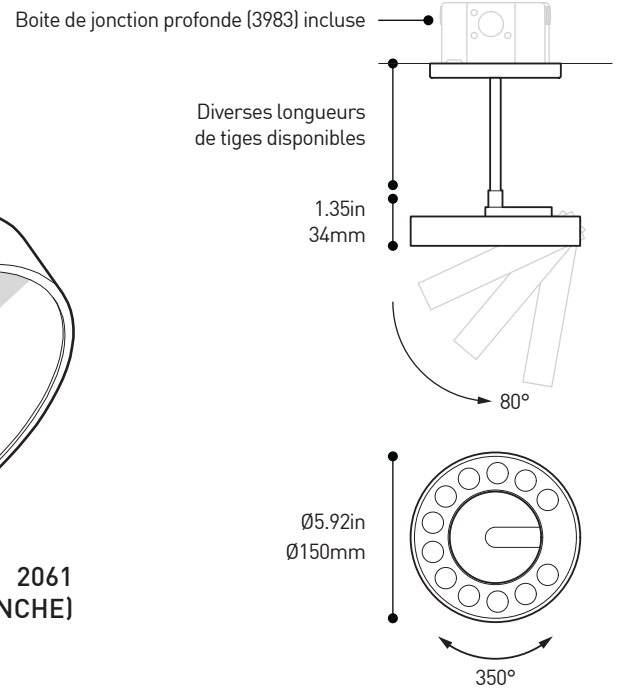
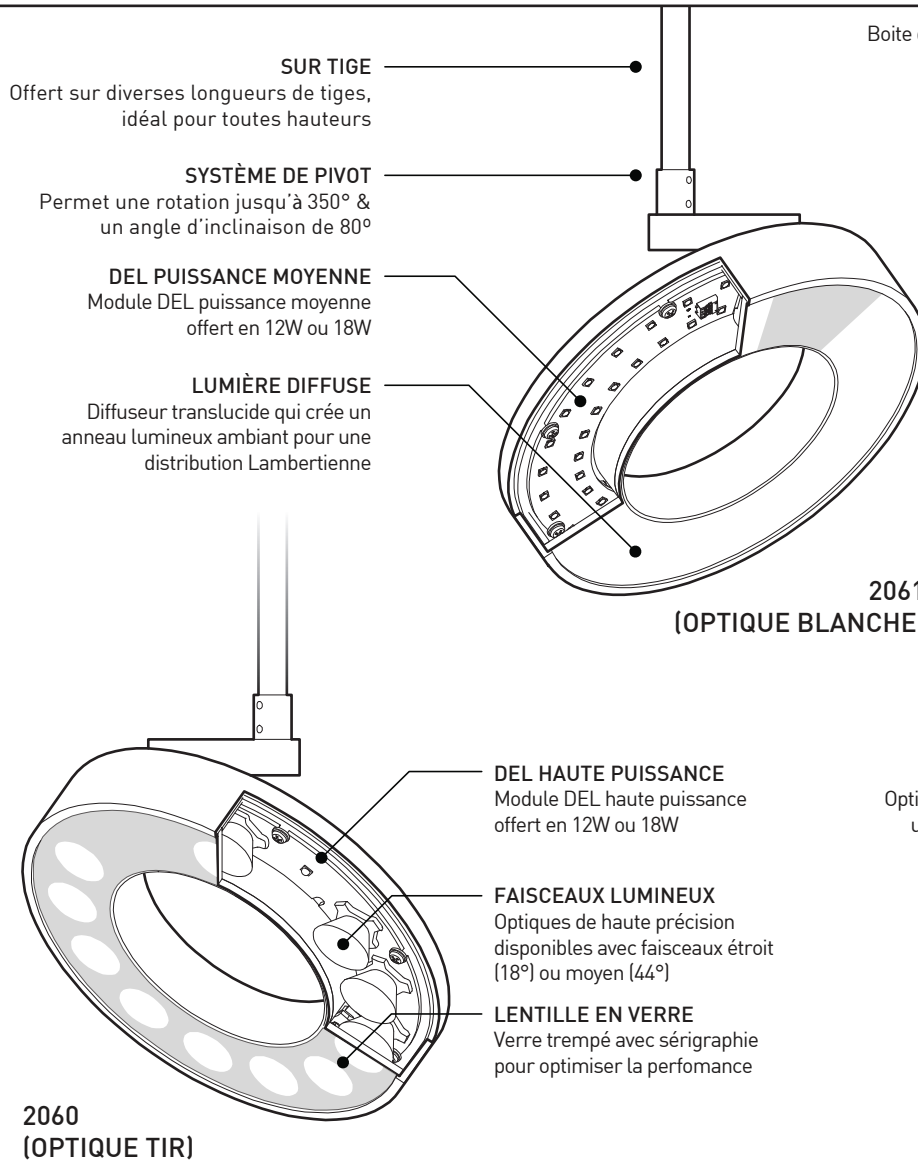
	2060 REG	2060 HO	2061 REG	2061 HO
LIGHT SOURCE	12 x High Power LED on MCPCB		48 x Mid power LED on MCPB	
DELIVERED LUMENS	982 lm (4000K)	1318 lm (4000K)	687 lm (4000K)	951 lm (4000K)
SYSTEM WATTAGE	15W Total	22.5W Total	13.6W Total	20.8W Total
OPTICS	Narrow (18°) or medium (44°) FWHM beam angles			
CRI	85 CRI Typical			
CCT	3000K, 3500K or 4000K, 3-step MacAdam ellipse binning			
LIGHT DISTRIBUTION	Directional projector with 80° movement and 350° rotation			
MODULE	UL Recognized - Proprietary design - Made in USA			
HEATSINK	Black diecast aluminum			
VOLTAGE	120V or 277V			
DIMMING	Phase dimming (DP) or 0-10V dimming (DV)			
WARRANTY	5 years			



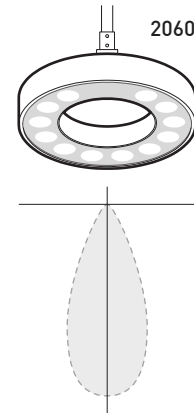
225 de Liège Ouest, Suite #200  
Montréal (QC), Canada H2P 1H4  
Tel : 514.385.3515 Fax : 514.385.4169  
www.eurekalighting.com



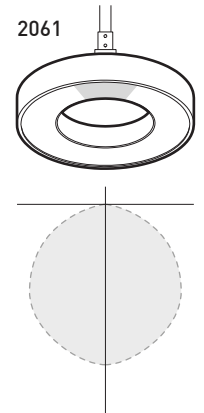
2060  
2061



**PROJECTEUR DIRECT**  
Optiques de haute précision créant un faisceau de lumière étroit



**LUMIÈRE AMBIANTE**  
Diffuseur translucide créant une distribution Lambertienne



## SPÉCIFICATIONS

	2060 REG	2060 HO	2061 REG	2061 HO
SOURCE LUMINEUSE	12 x LED haute puissance MCPCB		48 x LED puissance moyenne sur MCPCB	
LUMENS RÉELS	982 lm (4000K)	1318 lm (4000K)	687 lm (4000K)	951 lm (4000K)
PUISSANCE TOTALE	15W Totale	22.5W Totale	13.6W Totale	20.8W Totale
OPTIQUES	Angle de faisceau étroit (18°) ou moyen (44°) FWHM			
IRC	85 IRC Typique			
CCT	3000K, 3500K ou 4000K, 3-step MacAdam ellipse binning			
DISTRIBUTION LUMINEUSE	Projecteur directionnel avec pivot 80° et rotation 350°			
MODULE	Reconnu UL - Design propriétaire - Fait aux É-U			
RADIATEUR	Aluminium noir moulé			
VOLTAGE	120V or 277V			
GRADATION	Gradation phase (DP) ou gradation 0-10V (DV)			
GARANTIE	5 ans			