

FOCUS 2047

PROJECT PROJET
SPEC TYPE
NOTES



OVERALL HEIGHT HAUTEUR HORS TOUT

LIGHT SOURCE	LED TRACK 1 CIRCUIT	LED*	LED
MOUNTING	2734E	2401C	2403G
STEM	41.30"	39.79"	41.04"

* FOR LED NON-IC INSTALLATION

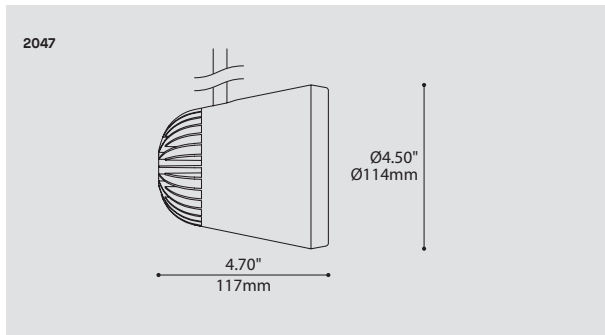
MOUNTING OPTIONS OPTIONS DE MONTAGE

2734E	2401C	2403G
6.15" x 2.00"	Ø4.50" x 0.50"	Ø4.50" x 1.75"
156 x 51mm	Ø114 x 13mm	Ø114 x 44mm

* OVERALL HEIGHT DOES NOT INCLUDE TRACK THICKNESS

STEM OR CABLE OPTIONS OPTIONS DE TIGE OU CABLE

STEM STD 36" 914mm	
--------------------------	--



ORDERING SPECIFICATION SPÉCIFICATION DE COMMANDE

MODEL MODÈLE **2047** CODE

2047 FOCUS

LIGHT SOURCE SOURCE LUMINEUSE

(WATTAGE, LAMP TYPE, OTHER INFO)

LED.18 18W, LED
LED.25 25W, LED

COLOR TEMPERATURE TEMPÉRATURE DE COULEUR

30 3000K
35 3500K
40 4000K

BEAM ANGLE ANGLE DE FAISCEAU

15 15°
24 24°
38 38°
55 55°

VOLTAGE VOLTAGE

120V 120 VOLT
277V* 277 VOLT
*NOT AVAILABLE WITH A TRACK ADAPTOR

DIMMING OPTION OPTION DE GRADATION

DV* 0-10V DIMMING (120-277V)
DP PHASE DIMMING (120V ONLY)
LED DIMMING DRIVER IS STANDARD IN THIS PRODUCT, PLEASE SPECIFY YOUR DIMMING TYPE.
*NOT AVAILABLE WITH A TRACK ADAPTOR

STEM TIGE

S10 3/8" (10MM) STEM, NOT FIELD ADJUSTABLE
- NO STEM*
*AVAILABLE WITH A TRACK ADAPTOR ONLY

STEM LENGTH LONGUEUR DE TIGE

36 36" STEM (STD LENGTH)
** CUSTOM STEM LENGTH (PLEASE SPECIFY)
FOR OVERALL LENGTH PLEASE CONTACT YOUR EUREKA REPRESENTATIVE.

MOUNTING MONTAGE

RC ROUND CANOPY / PAVILLON ROND
FOR NON-IC INSTALLATION: 0.50" CANOPY (2401C)*
RC-IC FOR IC INSTALLATION: 1.75" CANOPY (2403G)
*3983 ACCESSORY PROVIDED FOR 2401C

TA1 TRACK ADAPTOR / ADAPTATEUR DE RAIL
1 CIRCUIT
LED DIMMING 120V ADAPTOR (2734E)

MOUNTING OPTION OPTION DE MONTAGE

SCA SLOPE CEILING ADAPTOR / ADAPTATEUR DE PLAFOND EN PENTE (ROTATION: 350°, PIVOT: 90°)

TRACK ADAPTOR FINISH FINI ADAPTATEUR DE RAIL^(A)

WH WHITE
BLK BLACK
^(A) FILL IN IF A TRACK ADAPTOR IS SELECTED, OTHERWISE LEAVE EMPTY

STRUCTURE FINISH FINI STRUCTURE^(B)

BLKE BLACK FINE TEXTURE
WHE WHITE FINE TEXTURE
^(B) INCLUDING CANOPY FINISH IF A CANOPY WAS SELECTED

SHADE FINISH FINI ABAT-JOUR

BLKE BLACK FINE TEXTURE
WHE WHITE FINE TEXTURE

ACCESSORY ACCESSOIRE

3983 DEEP JUNCTION BOX

PRODUCT CHARACTERISTICS CARACTÉRISTIQUES DU PRODUIT

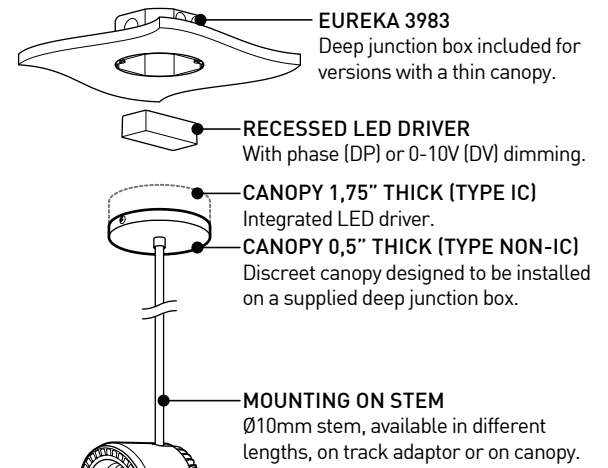
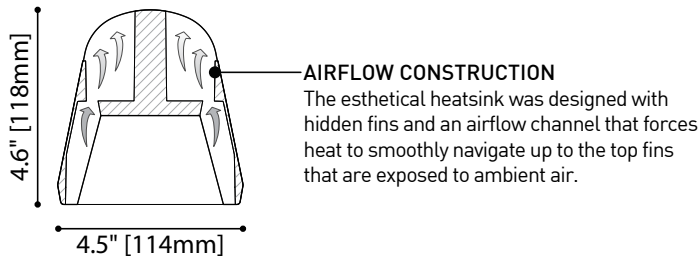
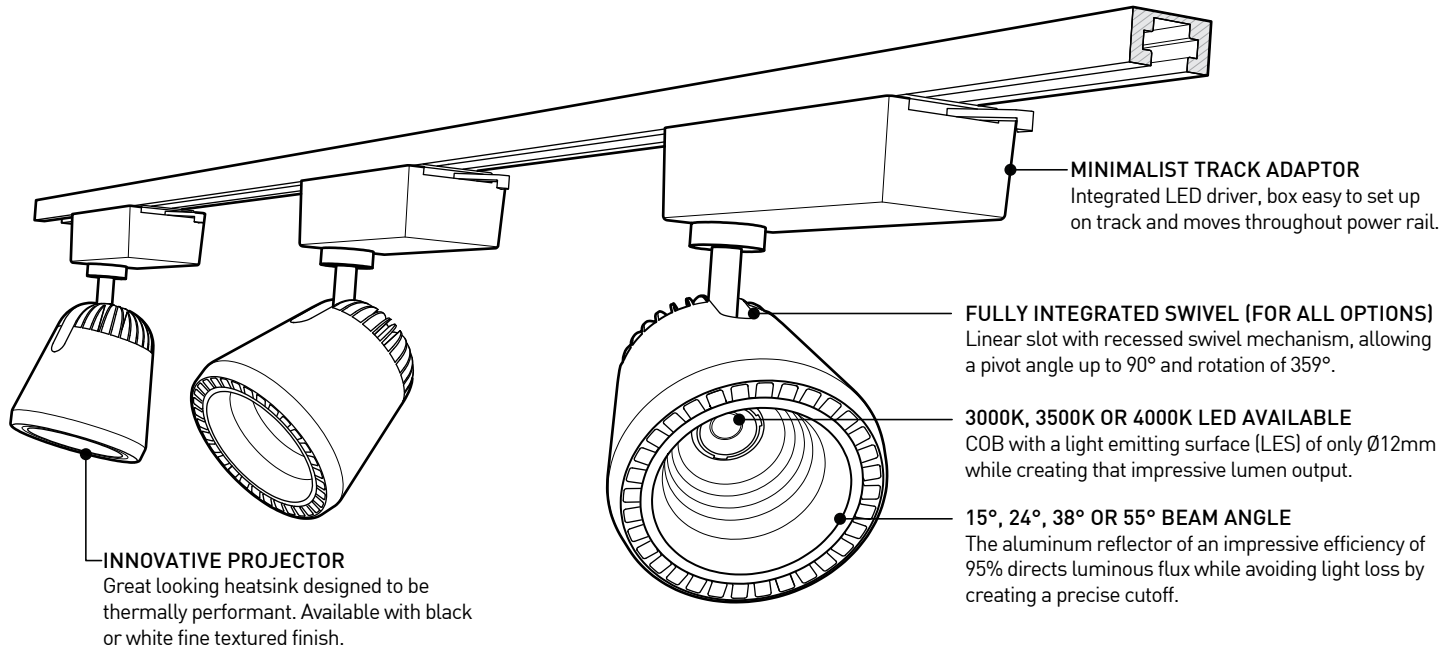


DESIGN: Focus is simply the most powerful spotlight designed by Eureka! This performance is achievable through the combination of a clever heatsink construction, a high quality LED, a carbon thermal interface and an efficient reflector.

STRUCTURE: The custom built heatsink was designed with hidden fins and an airflow channel that forces heat to smoothly navigate up to the top fins that are exposed to ambient air. Available with black or white architectural grade fine textured finish.

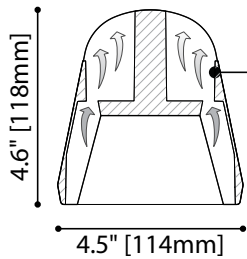
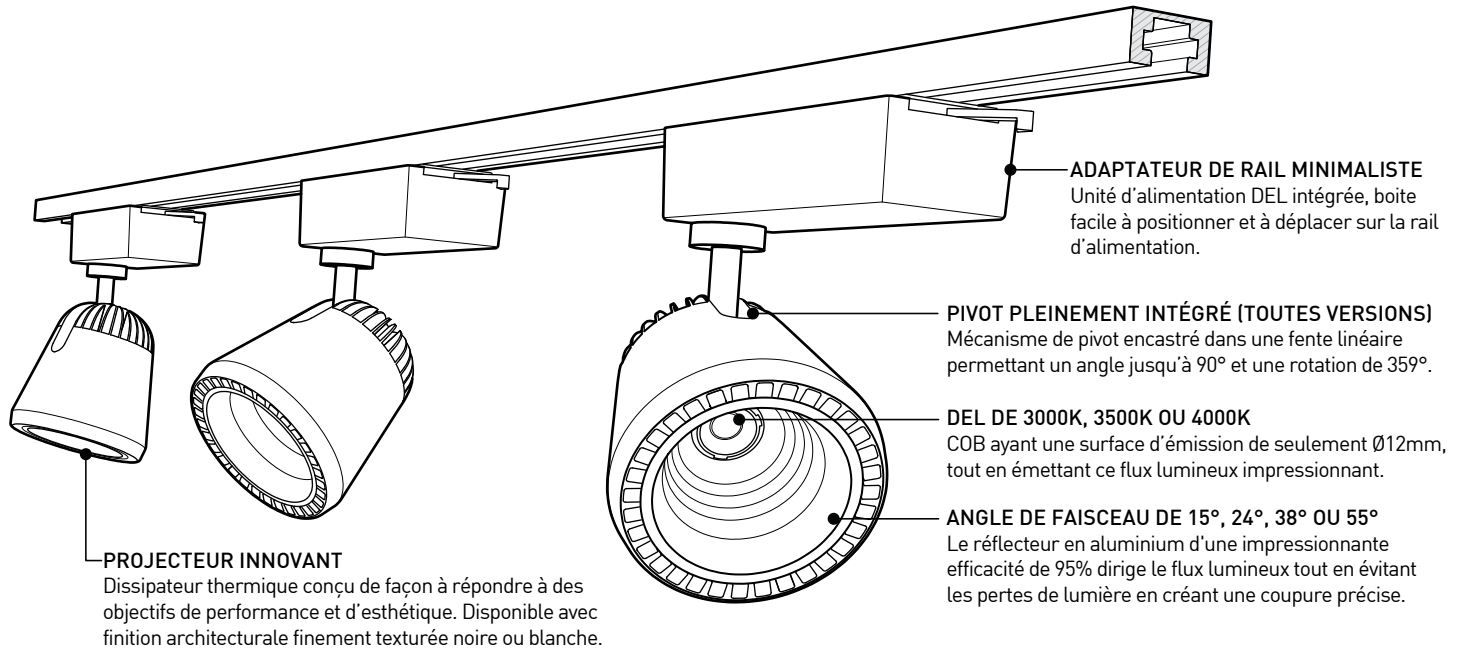
REFLECTOR: Aluminum reflector with an impressive efficiency of 90% available with 15°, 24°, 38° or 55° beam angle (FWHM).

CERTIFIED: c-CSA-us, c-UL-us



SPECIFICATIONS

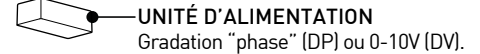
	LED 18W	LED 25W
LIGHT SOURCE	1 x COB LED - System Wattage 21.3W Total	1 x COB LED - System Wattage 30.6W Total
DELIVERED LUMENS	2177 delivered lumens (102lm/W)	2803 delivered lumens (92lm/W)
CRI	83 CRI	
CCT	3000K, 3500K or 4000K 3-step MacAdam Ellipse binning	
HEATSINK	Custom diecast aluminum, black or white fine textured finish	
LIGHT DISTRIBUTION	Directional projector (2047 and 4547)	
REFLECTOR	Aluminum, FWHM 15°, 24°, 38° or 55°	
LED DRIVER	Constant Current 500mA, UL Recognized	Constant Current 700mA, UL Recognized
DIMMING (VOLTAGE)	Phase dimming (DP) 120V or 0-10V dimming (DV) 120-277V	
LM-79	Upon request	
WARRANTY	5 years	



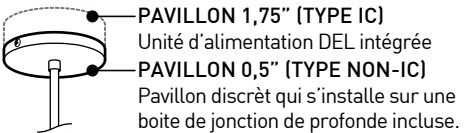
CONSTRUCTION AVEC VENTILATION
Le radiateur esthétique intègre des ailettes cachées et un canal de ventilation, qui pousse la chaleur vers la section supérieure exposée à l'air ambiant.



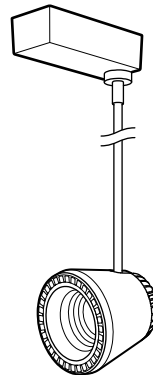
EUREKA 3983
Boîte de jonction profonde pour les versions sur pavillon mince.



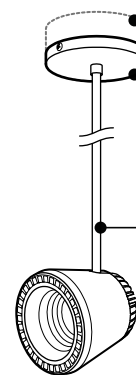
UNITÉ D'ALIMENTATION
Gradation "phase" (DP) ou 0-10V (DV).



PAVILLON 1,75" (TYPE IC)
Unité d'alimentation DEL intégrée
PAVILLON 0,5" (TYPE NON-IC)
Pavillon discret qui s'installe sur une boîte de jonction de profonde incluse.



2047
TIGE SUR RAIL

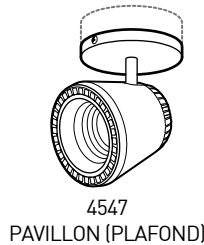


2047
TIGE SUR PAVILLON

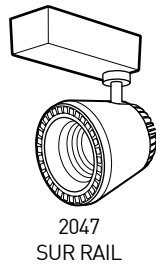
MONTAGE SUR TIGE
Tige de Ø10mm, disponible en plusieurs longueurs, sur adaptateur de rail ou sur pavillon.



4547
PAVILLON (MURAL)



4547
PAVILLON (PLAFOND)



2047
SUR RAIL

SPECIFICATIONS

SOURCE LUMINEUSE
LUMENS RÉELS ESTIMÉS
IRC
CCT
RADIATEUR
DISTRIBUTION LUMINEUSE
RÉFLECTEUR
UNITÉ D'ALIMENTATION
GRADATION (VOLTAGE)
LM-79
GARANTIE

DEL 18W

1 DEL "COB" - Puissance totale de 21,3W
2177 lumens réels (102 lm/W)
83 CRI
3000K, 3500K or 4000K 3-step MacAdam Ellipse binning
Aluminium moulé, finition noire ou blanche finement texturée
Projecteur directionnel (2047 and 4547)
Aluminium, FWHM 15°, 24°, 38° ou 55°
Courant constant de 500mA, Reconnu par UL
Gradation "phase" (DP) 120V ou gradation 0-10V (DV) 120-277V
Sur demande
5 ans

DEL 25W

1 DEL "COB" - Puissance totale de 30,6W
2803 lumens réels (92 lm/W)
Courant constant de 700mA, Reconnu par UL