

# ROLO 2039

PROJECT PROJÉT
SPEC TYPE
NOTES



## OVERALL HEIGHT HAUTEUR HORS TOUT

LIGHT SOURCE	HAL TRACK 1 CIRCUIT	LED TRACK 1 CIRCUIT	LED TRACK 1 CIRCUIT	HAL-LED	LED DIM
MOUNTING	2734	2734B	2734E	2401E	2403G
MODEL	2039 4039	2039 4039	2039 4039	2039 4039	2039 4039
CABLE	67.25" 66.85"	65.60" 66.20"	66.75" 68.00"	65.25" 66.95"	65.75" 67.45"
STEM	43.65" 42.70"	43.00" 42.05"	44.80" 43.85"	43.30" 42.80"	43.80" 43.30"

\* FOR HAL, SUBSTRACT 0.45"

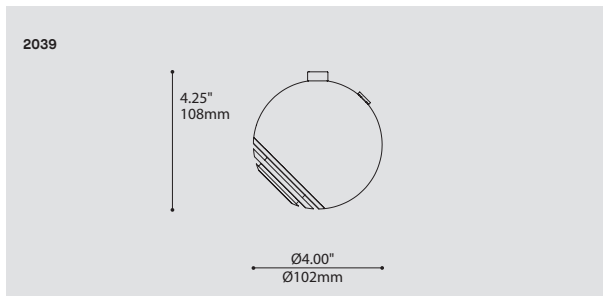
## MOUNTING OPTIONS OPTIONS DE MONTAGE

2734	2734B	2734E	2401E	2403G
3.85" x 2.03"	1.46" x 1.36"	6.15" x 2.00"	Ø4.50" x 1.00"	Ø4.50" x 1.50"
98 x 52mm	37 x 35mm	156 x 51mm	Ø114 x 25mm	Ø114 x 38mm

\* OVERALL HEIGHT DOES NOT INCLUDE TRACK THICKNESS

## STEM OR CABLE OPTIONS OPTIONS DE TIGE OU CABLE

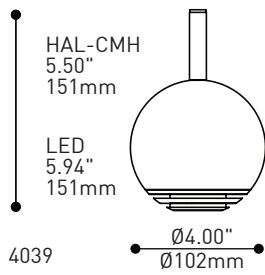
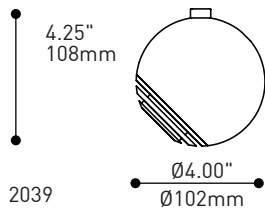
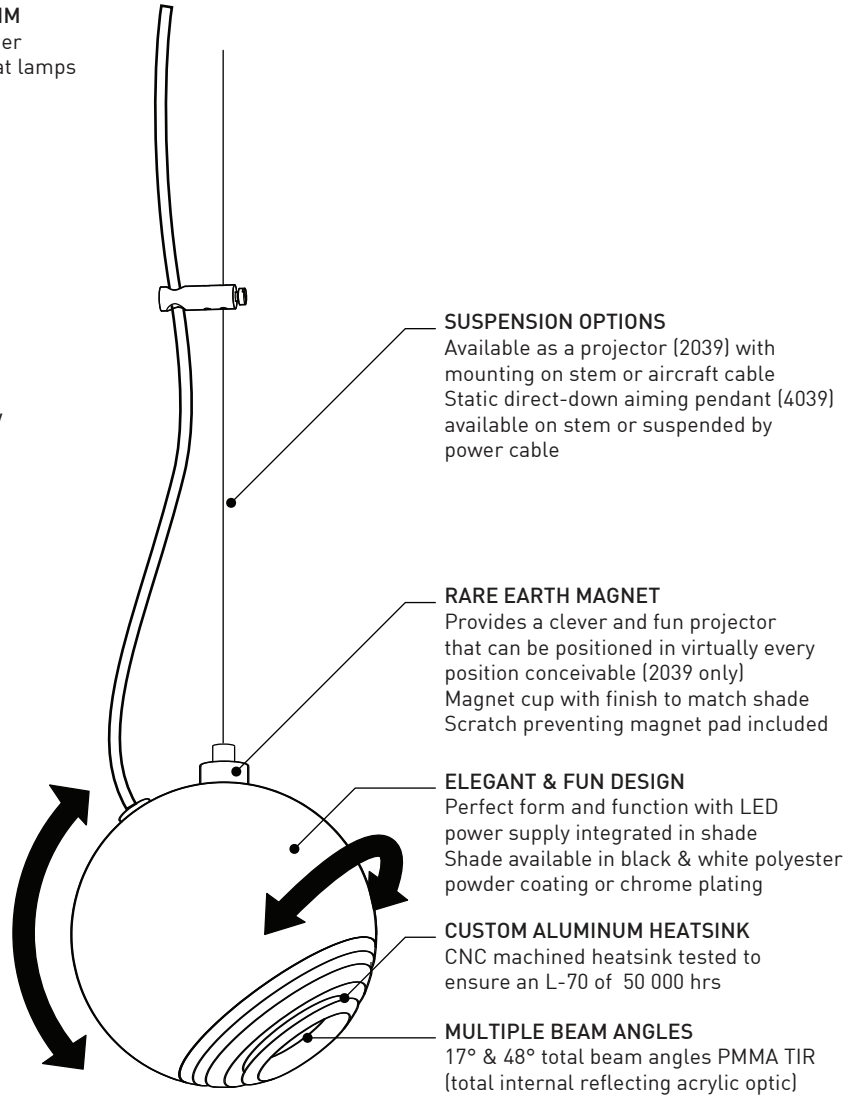
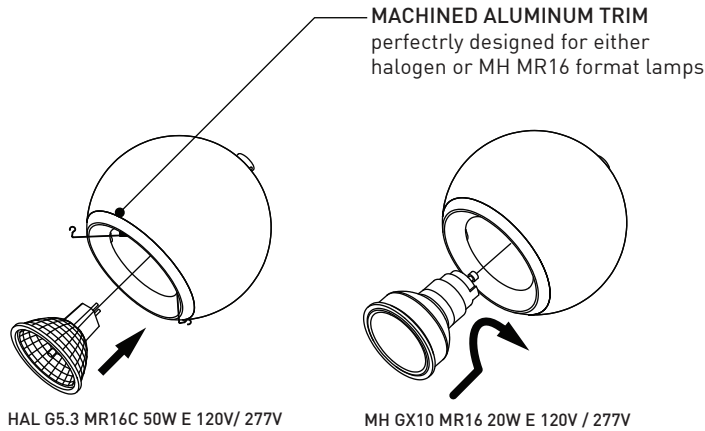
STEM STD 36" 914mm	AC CABLE STD 60" 1523mm



ORDERING SPECIFICATION	SPÉCIFICATION DE COMMANDE	CODE
<b>MODEL MODÈLE</b>		<b>2039</b>
<b>2039</b>	ROLO (PROJECTOR HEAD)	
<b>LIGHT SOURCE SOURCE LUMINEUSE</b>		
(WATTAGE, LAMP TYPE, LAMP FORM, BASE TYPE, OTHER INFO)		
<b>MR16C.50</b>	50W, HAL, MR16C, GU5.3 BASE	
<b>LED.4</b>	4W, LED	
<b>COLOR TEMPERATURE TEMPÉRATURE DE COULEUR</b>		
FOR LED ONLY		
<b>30</b>	3000K	
<b>35</b>	3500K	
<b>40</b>	4000K	
<b>ANGLE BEAM ANGLE DE FAISCEAU</b>		
FOR LED ONLY		
<b>17</b>	17°	
<b>48</b>	48°	
<b>VOLTAGE VOLTAGE</b>		
<b>120V</b>	120 VOLT	
<b>277V*</b>	277 VOLT	
	*NOT AVAILABLE WITH A TRACK ADAPTOR	
<b>DIMMING OPTION OPTION DE GRADATION</b>		
FOR LED ONLY		
<b>DV*</b>	0-10V DIMMING (120-277V)	
<b>DP</b>	PHASE DIMMING (120V ONLY)	
	*NOT AVAILABLE WITH A TRACK ADAPTOR	
<b>STEM TIGE</b>		
<b>S10</b>	3/8" (10MM) STEM, NOT FIELD ADJUSTABLE	
<b>AC</b>	AIRCRAFT MOUNTING & CLEAR CABLE, FIELD ADJUSTABLE (2039 ONLY)	
<b>STEM OR CABLE LENGTH LONGUEUR DE TIGE OU CABLE</b>		
<b>36</b>	36" STEM (STD LENGTH)	
<b>60</b>	60" AIRCRAFT CABLE (STD LENGTH)	
<b>**</b>	CUSTOM STEM LENGTH (PLEASE SPECIFY)	
<b>**</b>	CUSTOM AIRCRAFT CABLE LENGTH (PLEASE SPECIFY)	
	FOR OVERALL LENGTH PLEASE CONTACT YOUR EUREKA REPRESENTATIVE.	
<b>MOUNTING MONTAGE</b>		
<b>RC</b>	ROUND CANOPY / PAVILLON ROND FOR HAL & LED: 1.00" CANOPY (2401E) FOR DIMMING LED & LED 4W 277V: 1.75" CANOPY (2403G)	
<b>TA1</b>	TRACK ADAPTOR / ADAPTATEUR DE RAIL 1 CIRCUIT HAL 120/12V ADAPTOR (2734) LED 120V ADAPTOR (2734B) LED DIMMING 120V ADAPTOR (2734F)	
<b>MOUNTING OPTION OPTION DE MONTAGE</b>		
<b>SCA*</b>	SLOPE CEILING ADAPTOR / ADAPTATEUR DE PLAFOND EN PENTE (ROTATION: 350°, PIVOT: 90°) *ONLY AVAILABLE WITH A STEM	
<b>TRACK ADAPTOR FINISH FINI ADAPTATEUR DE RAIL (A)</b>		
<b>WH</b>	WHITE	
<b>BLK</b>	BLACK	
<b>M G</b>	METALLIC GRAY	
	(A) FILL IN IF A TRACK ADAPTOR IS SELECTED, OTHERWISE LEAVE EMPTY	
<b>STRUCTURE FINISH FINI STRUCTURE</b>		
<b>BLK</b>	BLACK	
<b>CHR</b>	CHROME	
<b>WH</b>	WHITE	
<b>CANOPY FINISH FINI PAVILLON (B)</b>		
<b>BLK</b>	BLACK	
<b>CHR</b>	CHROME	
<b>WH</b>	WHITE	
	(B) IF NO FINISH IS SELECTED, CANOPY FINISH WILL BE THE SAME AS STRUCTURE FINISH	
<b>HEATSINK FINISH FINI RADIATEUR</b>		<b>SAA</b>
<b>SAA</b>	SATIN ALUMINUM ANODIZED	

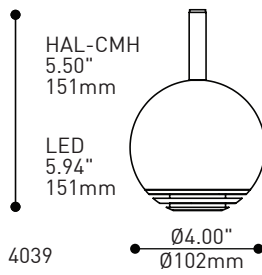
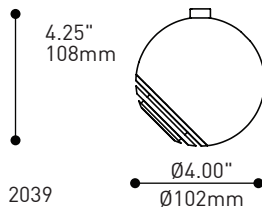
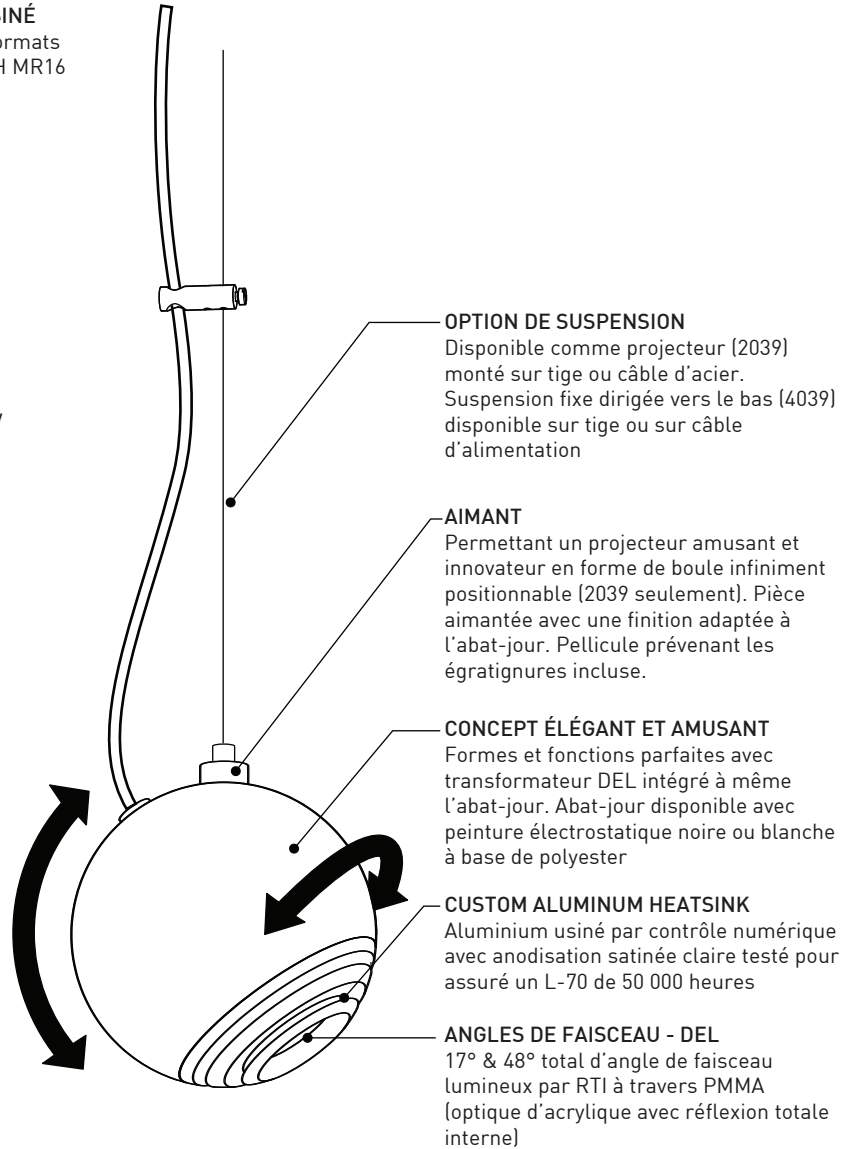
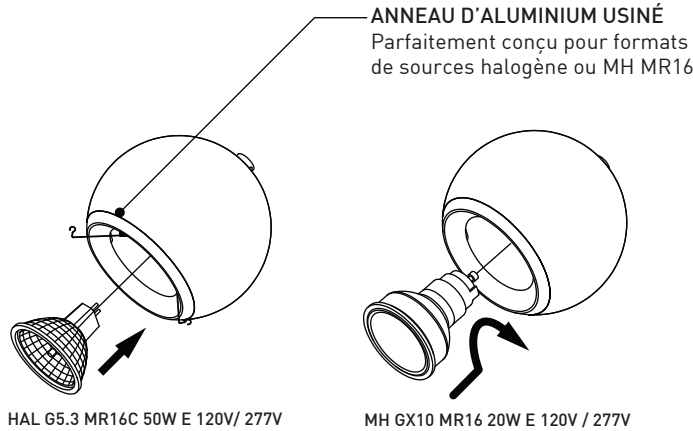
## PRODUCT CHARACTERISTICS CARACTÉRISTIQUES DU PRODUIT





## SPECIFICATIONS

	LED.4.XX.XX	CMH .MR16.20	MR16C.50
LIGHT SOURCE MODULE	4 x Nichia - total ±4 w	20W Ceramic Metal Halide MR16	50W MR16 Halogen
LUMENS (ESTIMATED)	UL recognized - made in USA		
CRI	365 lm - 340 lm (4000K)		
MAGNET / CUP	84 CRI (typical)		
HOUSING	Machined steel cup and rare-earth magnet (9lbs strength) with 0.010" thk UHMW polyethylene glide pad		
HEATSINK / TRIM	Ø4" Progressive Die-formed steel shade with black or white polyester powder coated finish or chrome plating		
LIGHT DISTRIBUTION	Custom designed clear anodized CNC machined aluminium - L70 estimated 50 000 hrs		
OPTICS	Directional projector (2039) or Direct (4039)		
VOLTAGE	LEDIL TIR - 17° & 48° total beam angle		
DRIVER / CONVERTER	120V or 277V (not available in LED or with track adaptor)		
DIMMING	350 mA	Electronic HID ballast	Elect. Transfo.
LM-79	Phase dimming (DP) or 0-10V dimming (DV)	None	w/ ELV dimmer
WARRANTY	On request		
	5 years	2 years	2 years



## SPÉCIFICATIONS

	DEL.4.XX.XX	CMH.MR16.20	MR16C.50
SOURCE LUMINEUSE	4 x Nichia - total ±4 w	20W Metal Halide Céramique MR16	50W MR16 Halogène
MODULE	Reconnu par UL - fabriqué aux États-Unis		
LUMENS (ESTIMÉ)	365 lm - 340 lm (4000K)		
IRC	84 IRC (typique)		
AIMANT	Embout d'acier usiné et aimant (force de 9 lbs) avec pellicule UHMW polyéthylène de 0.010"		
HOUSING	Abat-jour de Ø4" en acier progressivement embouti avec peinture électrostatique noire ou blanche à base de polyester		
RADIATEUR / ANNEAU	Concept personnalisé d'aluminium anodisé et usiné par contrôle numérique - L70, 50 000 heures estimées		
DISTRIBUTION LUMINEUSE	Projecteur directionnel (2039) ou direct (4039)		
OPTIQUES	LEDIL RTI - angle de faisceau total de 17° & 48°		
VOLTAGE	120V ou 277V (non disponible en version DEL ou avec système de rails)		
PILOTE / CONVERTISSEUR	350 mA	Ballast électronique HID	Transfo. Elect.
GRADATION	Gradation phase (DP) ou Gradation 0-10V (DV)	N/A	Avec ELV à gradation
LM-79	Sur demande		
GARANTIE	5 ans	2 ans	2 ans