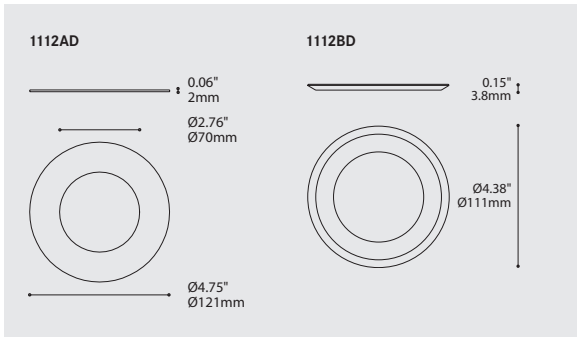


1112AD / 1112BD

PROJECT PROJÉT

SPEC TYPE

NOTES



ORDERING SPECIFICATION SPÉCIFICATION DE COMMANDE CODE

This trim is compatible with HAL, GZ10, CMH and LED lamp types. A complete unit consists of a trim (A) and a housing (C). The unit will also require a LED Module (B) if LED is the selected light source. Select the appropriate housing below. Accessories (D) are additional options.

(A) TRIM ORDERING COMMANDE ENCASTRÉ

MODEL	MODÈLE
1112AD	FIXED FLAT SHOWER TRIM WITH CONICAL BAFFLE
1112BD	FIXED BEVELLED SHOWER TRIM WITH CONICAL BAFFLE

STRUCTURE FINISH FINI STRUCTURE

BLK	BLACK
CHR	CHROME
S C	SATIN CHROME
WH	WHITE

DIFFUSER FINISH FINI DIFFUSEUR

FRO	FRO
-----	-----

(B) LED ORDERING COMMANDE DEL

LED OPTIONS OPTIONS DEL

(WATTAGE, COLOR TEMPERATURE, BEAM ANGLE)

LED.4.30.17		LED 4W 3000K (WARM) 17°
LED.4.30.48		LED 4W 3000K (WARM) 48°
LED.4.40.17		LED 4W 4000K (NEUTRAL) 17°
LED.4.40.48		LED 4W 4000K (NEUTRAL) 48°

(C) HOUSING ORDERING COMMANDE BOÎTIER

HOUSINGS BOÎTIERS

Select housing code in matrix below based on light source, voltage options and housing type

(D) ACCESSORY ORDERING COMMANDE ACCESSOIRE

ACCESSORIES ACCESSOIRES

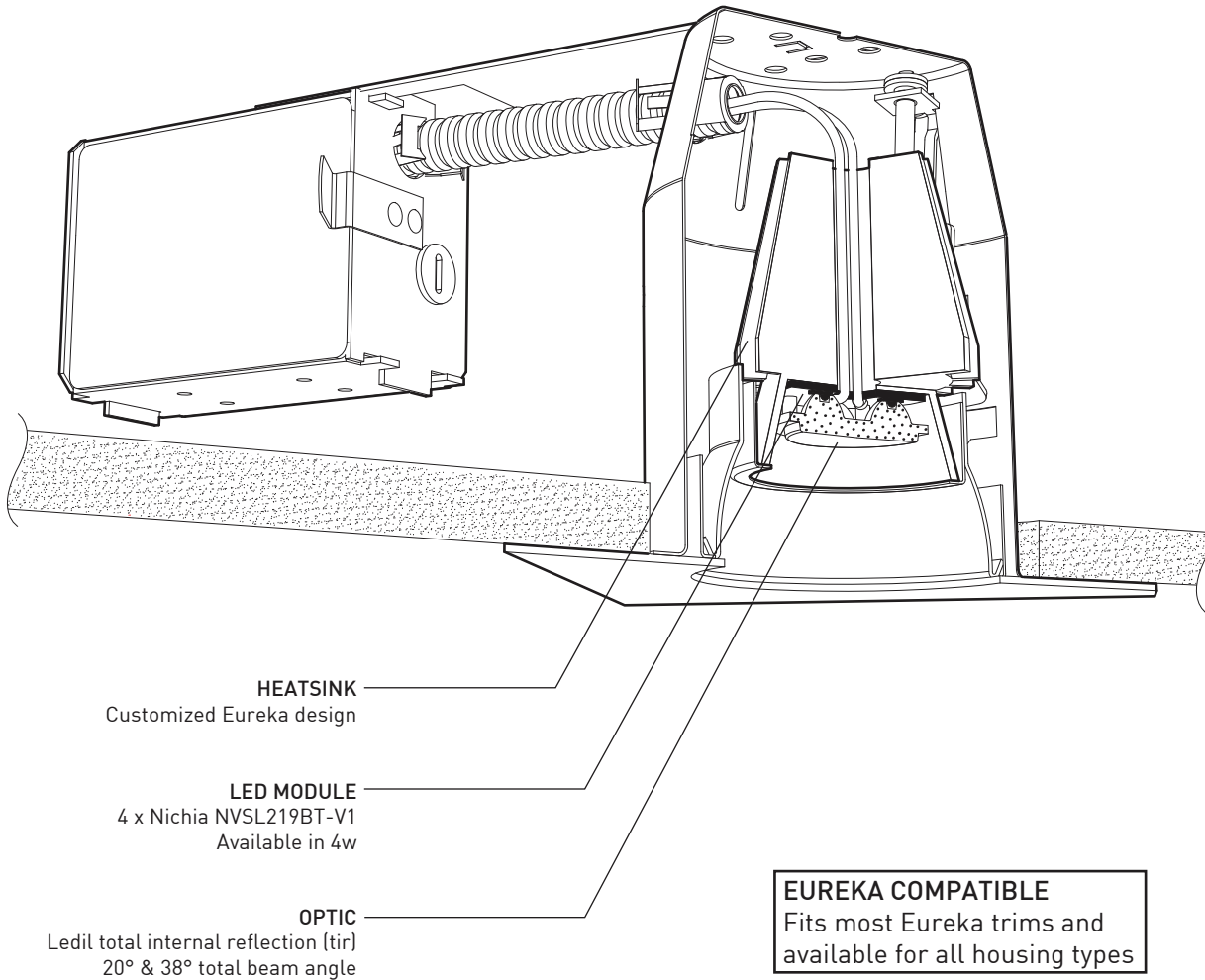
1911A*	FLUSH™ MOUNTING ACCESSORY (FOR 1112AD ONLY)
--------	---

PRODUCT CHARACTERISTICS CARACTÉRISTIQUES DU PRODUIT

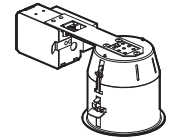
Design:	Family of fixed conical baffled trims with a recessed lamp and closed glass for indoor wet locations
Light Source:	LED, GZ10 or MR16 halogen. Dimming available
Installation:	Functions with remodeling, new construction or air-tight insulated ceiling housings (sold separately)
Structure:	Die-stamped and welded 16 GA steel construction with temperature resistant plating or polyester powder coat finish
Optic:	Aluminium conical baffle with frosted crystal glass lens
Certified:	c-UL-us Damp rated (Interior only - mild spray - no sauna)

HOUSING SELECTION MATRIX MATRICE DE SÉLECTION DU BOÎTIER

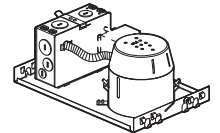
LIGHT SOURCE SOURCE LUMINEUSE	VOLTAGE VOLTAGE	DIMMING OPTION OPTION DE GRADATION	REMODELING RÉNOVATION	NEW INSTALLATION NOUVELLE INSTALLATION	NEW INSTALLATION (AIR RETURN PLENUM) NOUVELLE INSTALLATION (ESPACE A RETOUR D'AIR)	NEW INSTALLATION (INSULATED CEILING + AIR TIGHT) NOUVELLE INSTALLATION (HERMÉTIQUE + PLAFOND ISOLÉ)
(WATTAGE, LAMP TYPE, LAMP FORM, BASE TYPE, OTHER INFO)						
35W, HAL, MR16, GU5.3 BASE	120V ELECT.					1810C-0.35.E
35W, HAL, MR16, GU5.3 BASE	277V ELECT.					1810C-0.35.E.3
50W, HAL, MR16, GU5.3 BASE	120V MAG.		1520C-0.35	1600C-0.35	1710C3-0.35	
50W, HAL, MR16, GU5.3 BASE	277V MAG.		1520C-0.35.3	1600C-0.35.3	1710C3-0.35.3	
50W, HAL, MR16, GU5.3 BASE	120V ELECT.		1500C-0.35.E	1600C-0.35.E	1710C3-0.35.E	
50W, HAL, MR16, GU5.3 BASE	277V ELECT.		1500C-0.35.E.3	1600C-0.35.E.3	1710C3-0.35.E.3	
35W, HAL, MR16, GZ10 BASE	120V		1501C-2.35	1601C-2.35	1711C3-2.35	1811C-2.35
50W, HAL, MR16, GZ10 BASE	120V					
4W, LED	120V ELECT.		1504C-9.35.CC.350	1604C-9.35.CC.350	1714C3-9.35.CC.350	1814C-9.35.CC.350
4W, LED	277 ELECT.		1504C-9.35.CC.350.3	1604C-9.35.CC.350.3	1714C3-9.35.CC.350.3	1814C-9.35.CC.350.3
4W, LED	120-277V ELECT.	LIGHTTECH TRAILING EDGE	1524C-9.35.CCDLT.350.8	1604C-9.35.CCDLT.350.8	1714C3-9.35.CCDLT.350.8	1814C-9.35.CCDLT.350.8



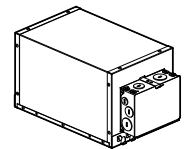
EUREKA COMPATIBLE
Fits most Eureka trims and available for all housing types



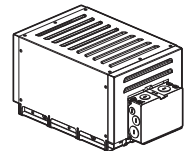
REMODELING



NEW CONSTRUCTION



NEW CONSTRUCTION
(AIR RETURN PLENUMS & AIRTIGHT-NON IC)



NEW CONSTRUCTION
(AIRTIGHT-IC)

SPECIFICATIONS

4w

LED EMITTER	4 x Nichia NVSL219BT-V1 (5w total system wattage)
OPTIC	LEDIL TIR - 20° & 38° total beam angle
MODULE	UL recognized - made in USA
LUMENS (DELIVERED)	400 lm (3000K & 4000K)
EFFICIENCY	100 lm/w (3000K & 4000K)
CCT	ANSI 3000K / 4000K 3-Step MacAdam Ellipse Binning
CRI	84 CRI (3000K & 4000K)
DRIVER (NON-DIMMING)	350 mA Constant Current
DRIVER (DIMMING)	0-10V Dimming / Phase Dimming
VOLTAGE	120V or 277V
L70 / LM-79	More than 60 000 hrs / Available
CERTIFICATION / WARRANTY	c-UL-us / 5 year

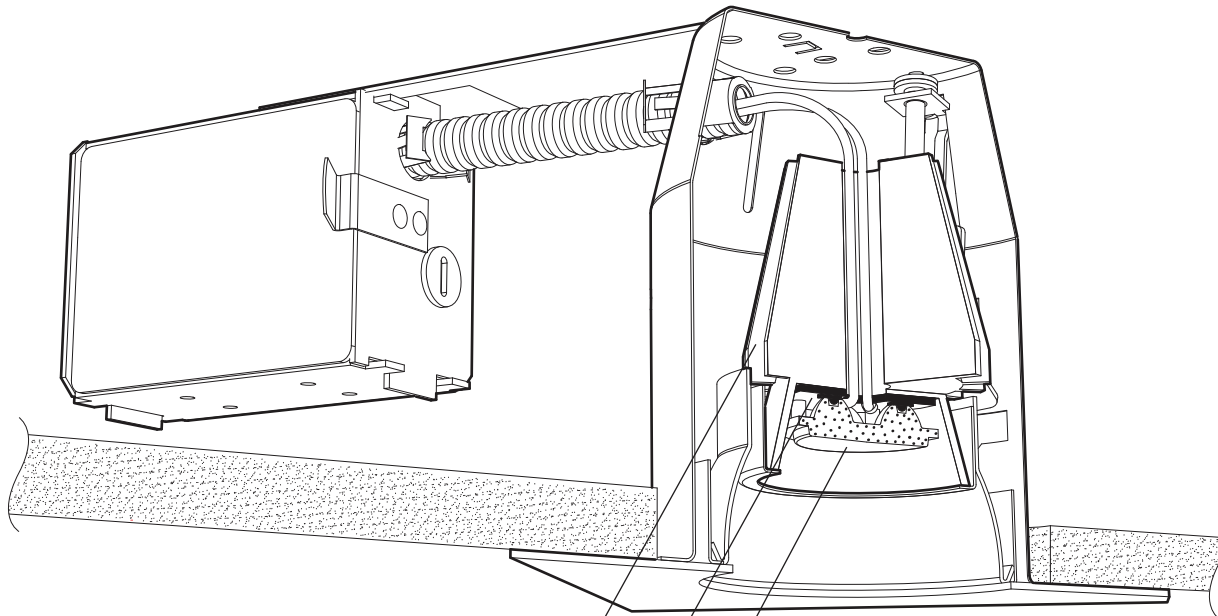
*Please consult factory for dimming & controller options.



225 de Liège Ouest, Suite #200
Montréal (QC), Canada H2P 1H4
Tel : 514.385.3515 Fax : 514.385.4169
www.eurekalighting.com



LED.4.XX.XX
LED.4.XX.XX.TL

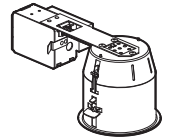


RADIATEUR
Conception personnalisée par Eureka

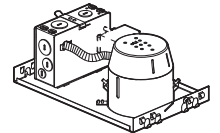
MODULE DEL
4 x Nichia NVSL219BT-V1
Disponible 4w

OPTIQUE
PMMA RTI (réflexion totale interne)
par Ledil. Angle total de faisceau
lumineux de 20° & 38°

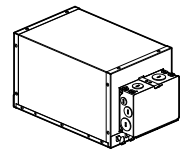
COMPATIBILITÉ EUREKA
Convient à la plupart des
encastrés Eureka. Disponible
pour tous les types de boîtiers.



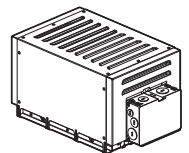
RÉNOVATION



NOUVELLE CONSTRUCTION



NOUVELLE CONSTRUCTION
(CHAMBRE À AIR &
ÉTANCHÉITÉ - PLAFOND NON-ISOLÉ)



NOUVELLE CONSTRUCTION
(ÉTANCHÉITÉ - PLAFOND ISOLÉ)

SPÉCIFICATIONS

4w

ÉMETTEUR DEL	4 x Nichia NVSL219BT-V1 (5w totale système puissance)
OPTIQUE	LEDIL TIR - angle total de faisceau de 20° ou 38°
MODULE	Reconnu par UL - Fabriqué aux États-Unis
LUMENS (LIVRÉ)	400 lm (3000K & 4000K)
EFFICACITÉ	100 lm/w (3000K & 4000K)
CCT	ANSI 3000K / 4000K 3-Step MacAdam Ellipse Binning
IRC	84 IRC (3000K & 4000K)
PILOTE (SANS GRADATION)	350 mA Courant Constant
PILOTE (GRADATION)	Gradation 0-10V / Gradation phase
VOLTAGE	120V ou 277V
L70 / LM-79	Plus que 60 000 hrs / Disponible
CERTIFICATION / GARANTIE	c-UL-us / 5 ans

*Pour d'autres options de gradation, veuillez consulter l'usine.



225 de Liège Ouest, Suite #200
Montréal (QC), Canada H2P 1H4
Tel : 514.385.3515 Fax : 514.385.4169
www.eurekalighting.com



LED.4.XX.XX
LED.4.XX.XX.TL