

1112A/ 1112B

PROJECT PROJCT

SPEC TYPE

NOTES

ORDERING SPECIFICATION SPÉCIFICATION DE COMMANDE

CODE

This trim is compatible with HAL, GZ10 and LED lamp types. A complete unit consists of a trim (A) and a housing (C). The unit will also require a LED Module (B) if LED is the selected light source. Select the appropriate housing below. Accessories (D) are additional options.

(A) TRIM ORDERING COMMANDE ENCASTRÉ

MODEL	MODÈLE
1112A	FIXED FLAT TRIM WITH CONICAL BAFFLE
1112B	FIXED BEVELLED TRIM WITH CONICAL BAFFLE

STRUCTURE FINISH FINI STRUCTURE

BLK	BLACK
CHR	CHROME
S C	SATIN CHROME
WH	WHITE

BAFFLE FINISH FINI DÉFLECTEUR

BLK	BLACK	SABU	SATIN ALUMINIUM ANODIZED BLUE
WH	WHITE	SALM	SATIN ALUMINIUM ANODIZED LIME
SAA	SATIN ALUMINIUM ANODIZED	SARD	SATIN ALUMINIUM ANODIZED RED

(B) LED ORDERING COMMANDE DEL

LED OPTIONS OPTIONS DEL

(WATTAGE, COLOR TEMPERATURE, BEAM ANGLE)

LED.4.30.17	LED 4W 3000K (WARM) 17°
LED.4.30.48	LED 4W 3000K (WARM) 48°
LED.4.40.17	LED 4W 4000K (NEUTRAL) 17°
LED.4.40.48	LED 4W 4000K (NEUTRAL) 48°
LED.8.30.17	LED 8W 3000K (WARM) 17°
LED.8.30.48	LED 8W 3000K (WARM) 48°
LED.8.40.17	LED 8W 4000K (NEUTRAL) 17°
LED.8.40.48	LED 8W 4000K (NEUTRAL) 48°

(C) HOUSING ORDERING COMMANDE BOÎTIER

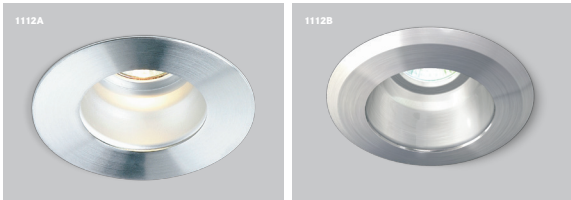
HOUSINGS BOÎTIERS

Select housing code in matrix below based on light source, voltage options and housing type

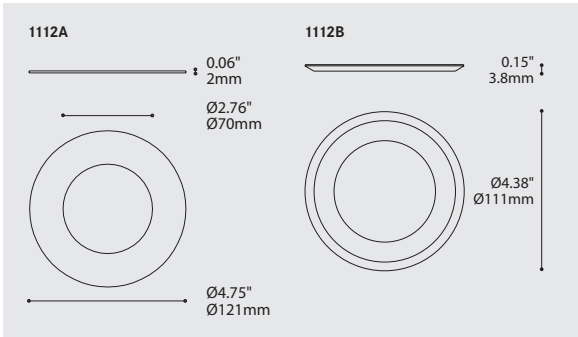
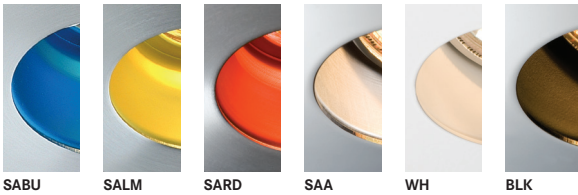
(D) ACCESSORY ORDERING COMMANDE ACCESSOIRE

ACCESSORIES ACCESSOIRES

1911A*	FLUSH™ MOUNTING ACCESSORY (FOR 1112A ONLY) *SEE PAGE 261
193X	LENS FOR HAL AND GZ10 LAMP TYPE (MAX 3 LENSES PER TRIM) SEE PAGE 260 FOR COMPLETE CODE AND DESCRIPTION

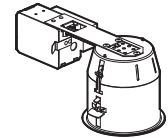
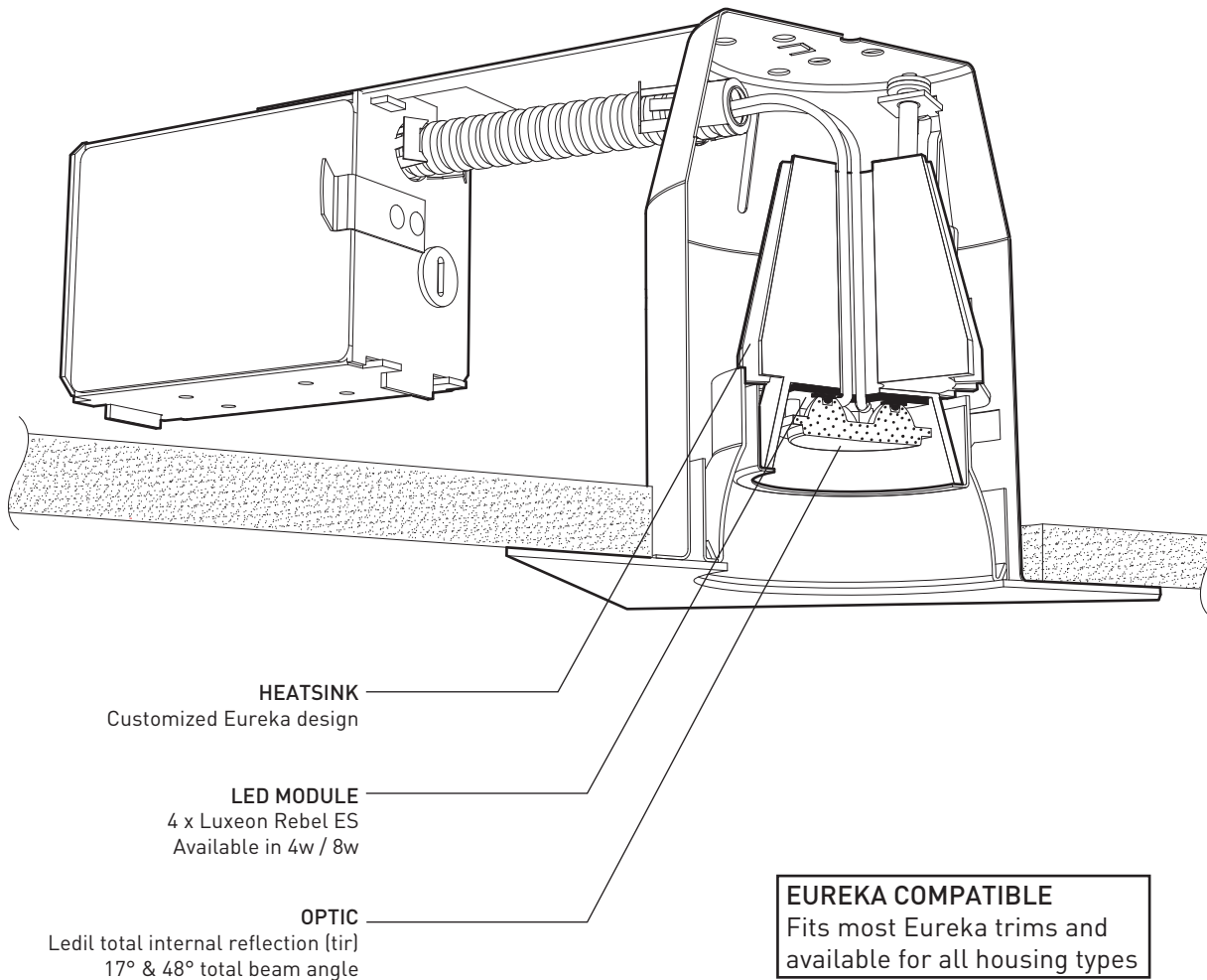


BAFFLE OPTIONS

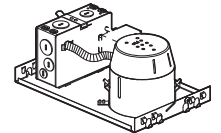


HOUSING SELECTION MATRIX MATRICE DE SELECTION DU BOÎTIER

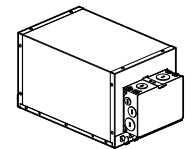
LIGHT SOURCE SOURCE LUMINEUSE	VOLTAGE VOLTAGE	DIMMING OPTION OPTION DE GRADATION	REMODELING RÉNOVATION	NEW INSTALLATION NOUVELLE INSTALLATION	NEW INSTALLATION (AIR RETURN PLENUM) NOUVELLE INSTALLATION (ESPACE A RETOUR D'AIR)	NEW INSTALLATION (INSULATED CEILING + AIR TIGHT) NOUVELLE INSTALLATION (HERMÉTIQUE + PLAFOND ISOLÉ)
(WATTAGE, LAMP TYPE, LAMP FORM, BASE TYPE, OTHER INFO)						
35W, HAL, MR16, GU5.3 BASE	120V ELECT.					1810C-0.35.E
35W, HAL, MR16, GU5.3 BASE	277V ELECT.					1810C-0.35.E.3
50W, HAL, MR16, GU5.3 BASE	120V MAG.		1520C-0.35	1600C-0.35	1710C3-0.35	
50W, HAL, MR16, GU5.3 BASE	277V MAG.		1520C-0.35.3	1600C-0.35.3	1710C3-0.35.3	
50W, HAL, MR16, GU5.3 BASE	120V ELECT.		1500C-0.35.E	1600C-0.35.E	1710C3-0.35.E	1820C-0.35.E
50W, HAL, MR16, GU5.3 BASE	277V ELECT.		1500C-0.35.E.3	1600C-0.35.E.3	1710C3-0.35.E.3	1820C-0.35.E.3
35W, HAL, MR16, GZ10 BASE	120V					1811C-2.35
50W, HAL, MR16, GZ10 BASE	120V		1501C-2.35	1601C-2.35	1711C3-2.35	1821C-2.35
4W, LED	120V ELECT.		1504C-9.35.CC.350	1604C-9.35.CC.350	1714C3-9.35.CC.350	1814C-9.35.CC.350
4W, LED	277V ELECT.		1504C-9.35.CC.350.3	1604C-9.35.CC.350.3	1714C3-9.35.CC.350.3	1814C-9.35.CC.350.3
4W, LED	120-277V ELECT.	LIGHTTECH TRAILING EDGE	1524C-9.35.CCDLT.350.8	1604C-9.35.CCDLT.350.8	1714C3-9.35.CCDLT.350.8	1814C-9.35.CCDLT.350.8
8W, LED	120V ELECT.		1504C-9.35.CC.700	1604C-9.35.CC.700	1714C3-9.35.CC.700	1814C-9.35.CC.700
8W, LED	120-277V ELECT.	LIGHTTECH TRAILING EDGE	1524C-9.35.CCDLT.700.8	1604C-9.35.CCDLT.700.8	1714C3-9.35.CCDLT.700.8	1814C-9.35.CCDLT.700.8



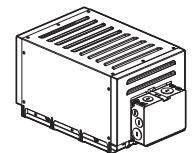
REMODELING



NEW CONSTRUCTION



NEW CONSTRUCTION
(AIR RETURN PLENUMS & AIRTIGHT-NON IC)



NEW CONSTRUCTION
(AIRTIGHT-IC)

SPECIFICATIONS

	4w	8w
LED EMITTER MODULE	4 x Luxeon Rebel ES - 4.2w total UL recognized - made in USA	4 x Luxeon Rebel ES - 8.4w total UL recognized - made in USA
LUMENS (ESTIMATED)*	374 lm (3000K) - 466 lm (4000K)	784 lm (3000K) - 932 lm (4000K)
EFFICIENCY	89 lm/w (3000K) - 111 lm/w (4000K)	89 lm/w (3000K) - 111 lm/w (4000K)
CCT	ANSI 3000K (Hot Binned) / 4000K	ANSI 3000K (Hot Binned) / 4000K
CRI	95 CRI (3000K) - 85 CRI (4000K)	95 CRI (3000K) - 85 CRI (4000K)
ROHS	Compliant	Compliant
DRIVER	Lightech 350 mA Constant Current	Hatch 700mA Constant Current
DIMMING	Lightech (Trailing Edge) 120-277v**	Lightech (Trailing Edge) 120-277v**
VOLTAGE	120v or 277v	120v or 277v
OPTIC	LEDIL TIR - 17° & 48° total beam angle	LEDIL TIR - 17° & 48° total beam angle
LM-79	Available	Available
L70	60 000 hrs	60 000 hrs
CERTIFICATION	c-UL-us	c-UL-us
WARRANTY	5 years	5 years
HEATSINK	Black Anodized Aluminum	Black Anodized Aluminum

*See specific LM-79 report for greater detail.

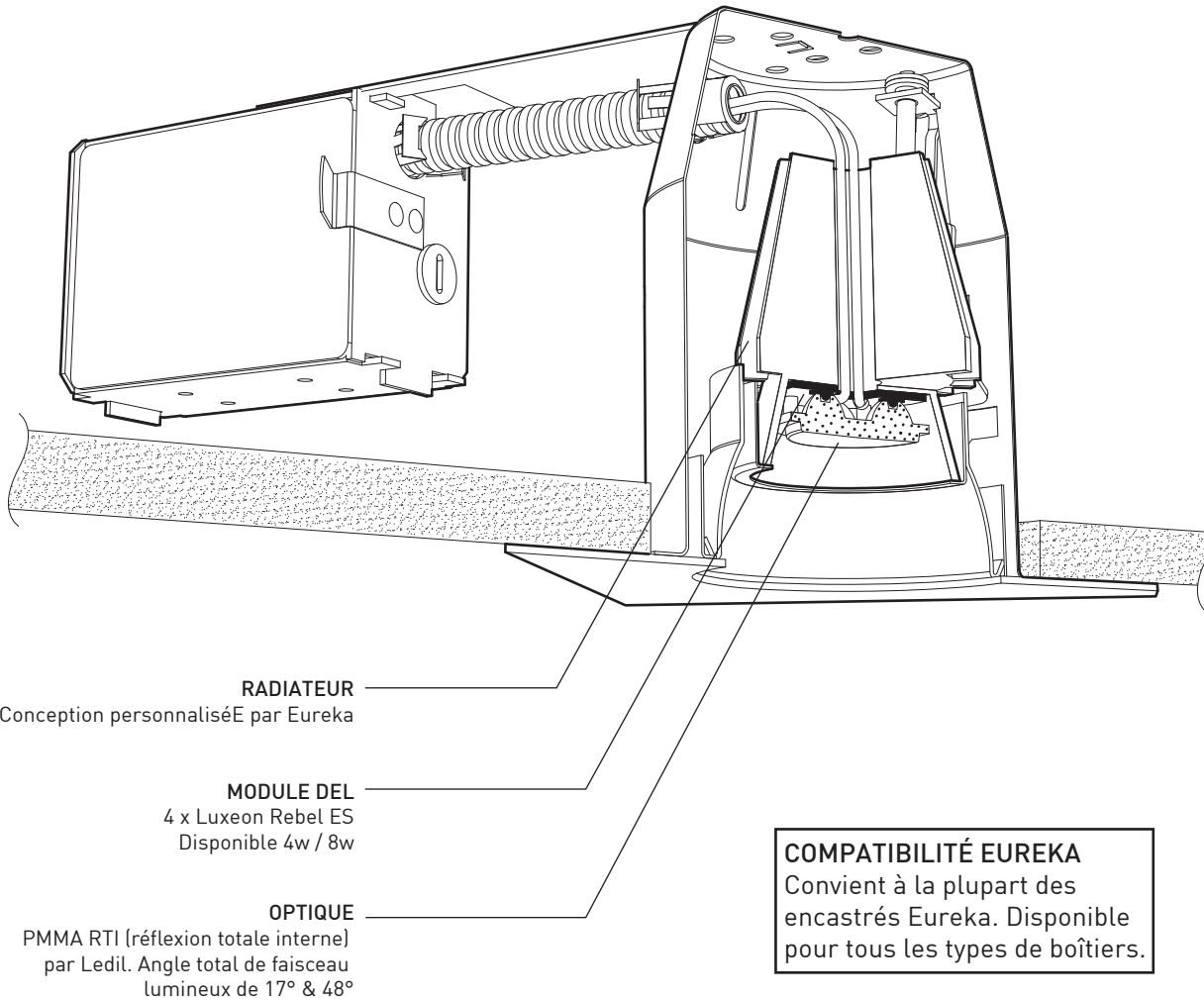
**Please consult factory for dimming & controller options.



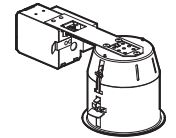
225 de Liège Ouest, Suite #200
Montréal (QC), Canada H2P 1H4
Tel : 514.385.3515 Fax : 514.385.4169
www.eurekalighting.com



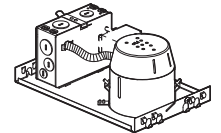
LED.X.XX.XX
LED.X.XX.XX.TL



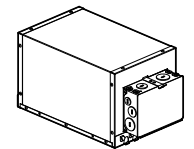
COMPATIBILITÉ EUREKA
Convient à la plupart des
encastrés Eureka. Disponible
pour tous les types de boîtiers.



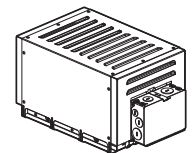
RÉNOVATION



NOUVELLE CONSTRUCTION



NOUVELLE CONSTRUCTION
(CHAMBRE À AIR &
ÉTANCHÉITÉ - PLAFOND NON-ISOLÉ)



NOUVELLE CONSTRUCTION
(ÉTANCHÉITÉ - PLAFOND ISOLÉ)

SPÉCIFICATIONS

	4w	8w
ÉMMETEUR DEL	4 x Luxeon Rebel ES - 4.2 w total	4 x Luxeon Rebel ES - 8.4 w total
MODULE	Reconnu par UL - Fabriqué aux États-Unis	Reconnu par UL - Fabriqué aux États-Unis
LUMENS (ESTIMÉ)*	374 lm (3000K) - 466 lm (4000K)	784 lm (3000K) - 932 lm (4000K)
EFFICACITÉ	89 lm/w (3000K) - 111 lm/w (4000K)	89 lm/w (3000K) - 111 lm/w (4000K)
CCT	ANSI 3000K / 4000K	ANSI 3000K / 4000K
IRC	95 IRC (3000K) - 85 IRC (4000K)	95 IRC (3000K) - 85 IRC (4000K)
ROHS	Conforme	Conforme
PILOTE	Lightech 350 mA Courant Constant	Hatch 700mA Courant Constant
DIMMING	Lightech (Trailing Edge) 120-277v**	Lightech (Trailing Edge) 120-277v**
VOLTAGE	120v ou 277v	120v ou 277v
OPTIQUE	LEDIL TIR - angle total de faisceau de 17° ou 48°	LEDIL TIR - angle total de faisceau de 17° ou 48°
LM-79	Disponible	Disponible
L70	60 000 hrs	60 000 hrs
CERTIFICATION	c-UL-us	c-UL-us
GARANTIE	5 ans	5 ans
RADIATEUR	Aluminium anodisé noir	Aluminium anodisé noir

*Voir rapport spécifique LM-79 pour de plus amples détails.

**Consulter le fabricant pour les options de contrôleur de gradation



225 de Liège Ouest, Suite #200
Montréal (QC), Canada H2P 1H4
Tel : 514.385.3515 Fax : 514.385.4169
www.eurekalighting.com



LED.X.XX.XX
LED.X.XX.XX.TL