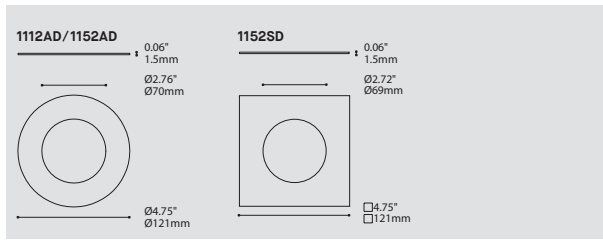


1112AD/1152AD/1152SD

PROJECT PROJÉT

SPEC TYPE

NOTES



ORDERING SPECIFICATION SPÉCIFICATION DE COMMANDE CODE

A complete unit consists of a trim (A) and a housing (C) selected according to light source, using the matrix below. Additionally, use section (B) to specify Eureka LED Modules. Accessories (D) are additional options.

(A) TRIM ORDERING COMMANDE ENCASTRÉ	
MODEL MODÈLE	
1112AD	ROUND FIXED FLAT SHOWER TRIM WITH CONICAL BAFFLE
1152AD	ROUND FLAT SHOWER TRIM WITH DIRECTIONAL CONICAL BAFFLE
1152SD	SQUARE FLAT SHOWER TRIM WITH DIRECTIONAL CONICAL BAFFLE

STRUCTURE FINISH FINI STRUCTURE	
BLK	BLACK (1112AD, 1152AD ONLY)
CHR	CHROME
S C	SATIN CHROME
WH	WHITE

DIFFUSER FINISH FINI DIFFUSEUR		FRO
FRO	FROSTED	

(B) LED ORDERING COMMANDE DEL	
EUREKA LED MODULES MODULES DEL EUREKA	

(WATTAGE, COLOR TEMPERATURE, BEAM ANGLE)

LED.4	4W, LED
LED.11	11W, LED (FOR 1112AD ONLY)

EUREKA LED MODULES MODULES DEL EUREKA	
30	3000K
35	3500K
40	4000K

ANGLE BEAM ANGLE DE FAISCEAU	
LED.4	
17	17°
48	48°
LED.11	
20	20°
40	40°

(C) HOUSING ORDERING COMMANDE BOÎTIER	
HOUSINGS BOÎTIERS	

Select housing code in matrix below based on light source, voltage options and housing type

(D) ACCESSORY ORDERING COMMANDE ACCESSOIRE	
ACCESSORIES ACCESSOIRES	

1911A	FLUSH™ MOUNTING ACCESSORY (FOR 1112AD, 1152AD ONLY)
1911S	FLUSH™ MOUNTING ACCESSORY (FOR 1152SD ONLY)

PRODUCT CHARACTERISTICS CARACTÉRISTIQUES DU PRODUIT

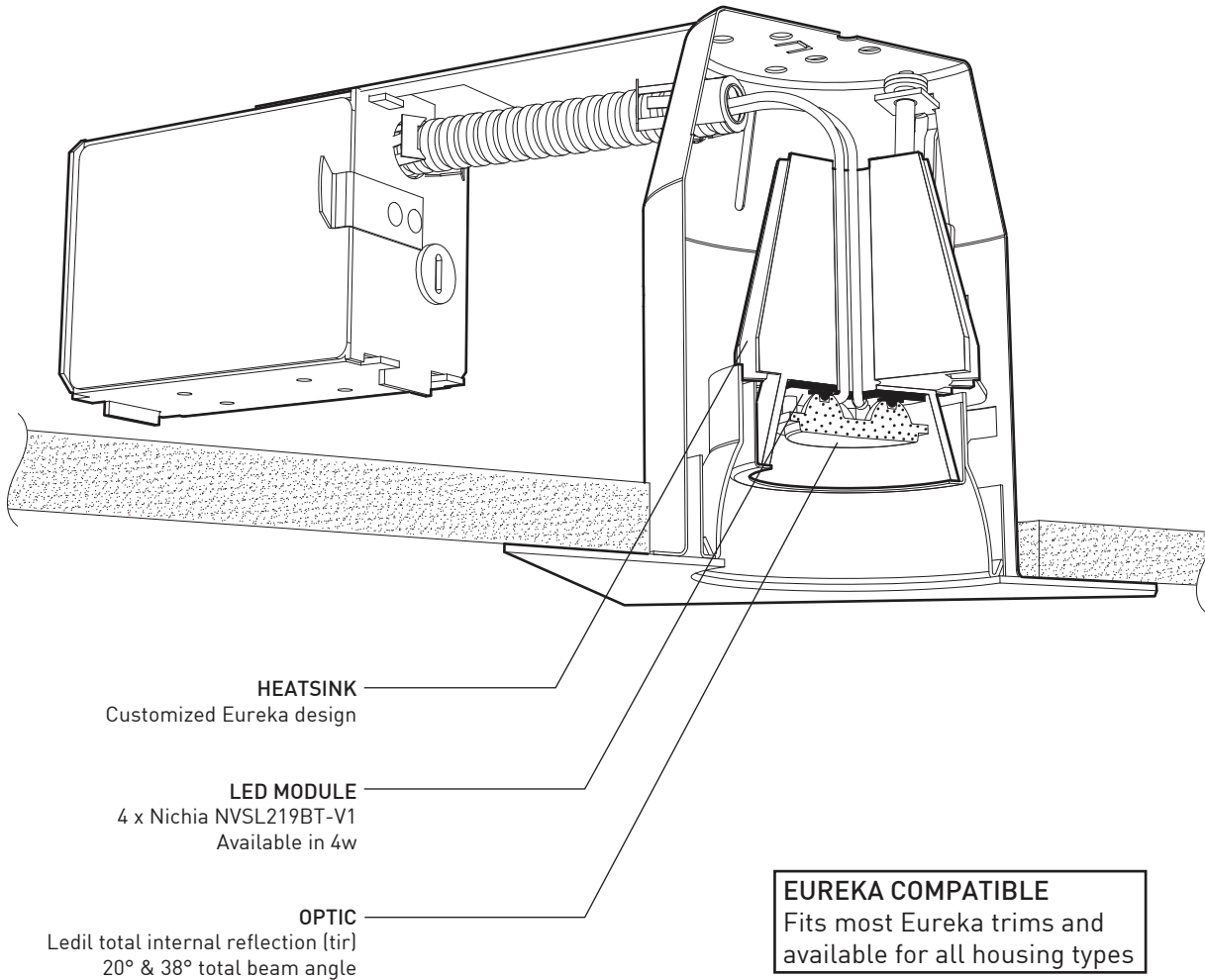


HOUSING SELECTION MATRIX MATRICE DE SÉLECTION DU BOÎTIER

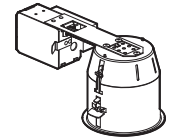
LIGHT SOURCE SOURCE LUMINEUSE	VOLTAGE VOLTAGE	REMODELING RÉNOVATION	NEW INSTALLATION NOUVELLE INSTALLATION	NEW INSTALLATION (AIR RETURN PLENUM) NOUVELLE INSTALLATION (ESPACE A RETOUR D'AIR)	NEW INSTALLATION (INSULATED CEILING + AIR TIGHT) NOUVELLE INSTALLATION (HERMÉTIQUE + PLAFOND ISOLÉ)
35W, HAL, MR16, GU5.3 Base	120V ELECT.				1810C-0.35.E
35W, HAL, MR16, GU5.3 Base	277V ELECT.				1810C-0.35.E.3
50W, HAL, MR16, GU5.3 Base	120V MAG.	1520C-0.35	1600C-0.35	1710C3-0.35	
50W, HAL, MR16, GU5.3 Base	277V MAG.	1520C-0.35.3	1600C-0.35.3	1710C3-0.35.3	
50W, HAL, MR16, GU5.3 Base	120V ELECT.	1500C-0.35.E	1600C-0.35.E	1710C3-0.35.E	
50W, HAL, MR16, GU5.3 Base	277V ELECT.	1500C-0.35.E.3	1600C-0.35.E.3	1710C3-0.35.E.3	
35W, HAL, MR16, GZ10 Base	120V				1811C-2.35
50W, HAL, MR16, GZ10 Base	120V	1501C-2.35	1601C-2.35	1711C3-2.35	
20W, CMH, MR16, GX10 Base (FOR 1152AD, 1152SD ONLY)	120V ELECT.	1523C-4.35.E	1603C-4.35.E	1713C3-4.35.E	1813C-4.35.E
20W, CMH, MR16, GX10 Base (FOR 1152AD, 1152SD ONLY)	277 ELECT.	1523C-4.35.E.3	1603C-4.35.E.3	1713C3-4.35.E.3	1813C-4.35.E.3
4W, EUREKA LED MODULE	120V ELECT.	1504C-9.35.4	1604C-9.35.4	1704C3-9.35.4	1804C-9.35.4
4W, EUREKA LED MODULE	277 ELECT.	1504C-9.35.4.3	1604C-9.35.4.3	1704C3-9.35.4.3	1804C-9.35.4.3
4W, EUREKA LED MODULE, Phase Dimming	120V ELECT.	1524C-9.35.4.DP	1604C-9.35.4.DP	1704C3-9.35.4.DP	1804C-9.35.4.DP
4W, EUREKA LED MODULE, 0-10V Dimming	120-277V ELECT.	1524C-9.35.4.DV.8	1604C-9.35.4.DV.8	1704C3-9.35.4.DV.8	1804C-9.35.4.DV.8
11W, EUREKA LED MODULE, Phase Dimming	120V ELECT.	1604-9.35.11.DP	1604-9.35.11.DP	1804-9.35.11.DP	
11W, EUREKA LED MODULE, 0-10V Dimming	120-277V ELECT.	1604-9.35.11.DV.8	1604-9.35.11.DV.8	1804-9.35.11.DV.8	
16W Max., LED, MR16, GU5.3 Base	120V ELECT.	1504C-0.35.E	1604C-0.35.E	1704C3-0.35.E	1804C-0.35.E
16W Max., LED, MR16, GU5.3 Base	277V ELECT.	1504C-0.35.E.3	1604C-0.35.E.3	1704C3-0.35.E.3	1804C-0.35.E.3



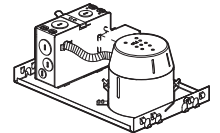
SPECIFICATION



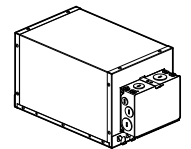
EUREKA COMPATIBLE
Fits most Eureka trims and available for all housing types



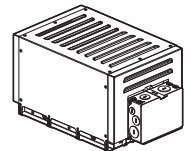
REMODELING



NEW CONSTRUCTION



NEW CONSTRUCTION
(AIR RETURN PLENUMS & AIRTIGHT-NON IC)



NEW CONSTRUCTION
(AIRTIGHT-IC)

SPECIFICATIONS

4w

LED EMITTER	4 x Nichia NVSL219BT-V1 (5w total system wattage)
OPTIC	LEDIL TIR - 20° & 38° total beam angle
MODULE	UL recognized - made in USA
LUMENS (DELIVERED)	400 lm (3000K & 4000K)
EFFICIENCY	100 lm/w (3000K & 4000K)
CCT	ANSI 3000K / 4000K 3-Step MacAdam Ellipse Binning
CRI	84 CRI (3000K & 4000K)
DRIVER (NON-DIMMING)	350 mA Constant Current
DRIVER (DIMMING)	0-10V Dimming / Phase Dimming
VOLTAGE	120V or 277V
L70 / LM-79	More than 60 000 hrs / Available
CERTIFICATION / WARRANTY	c-UL-us / 5 year

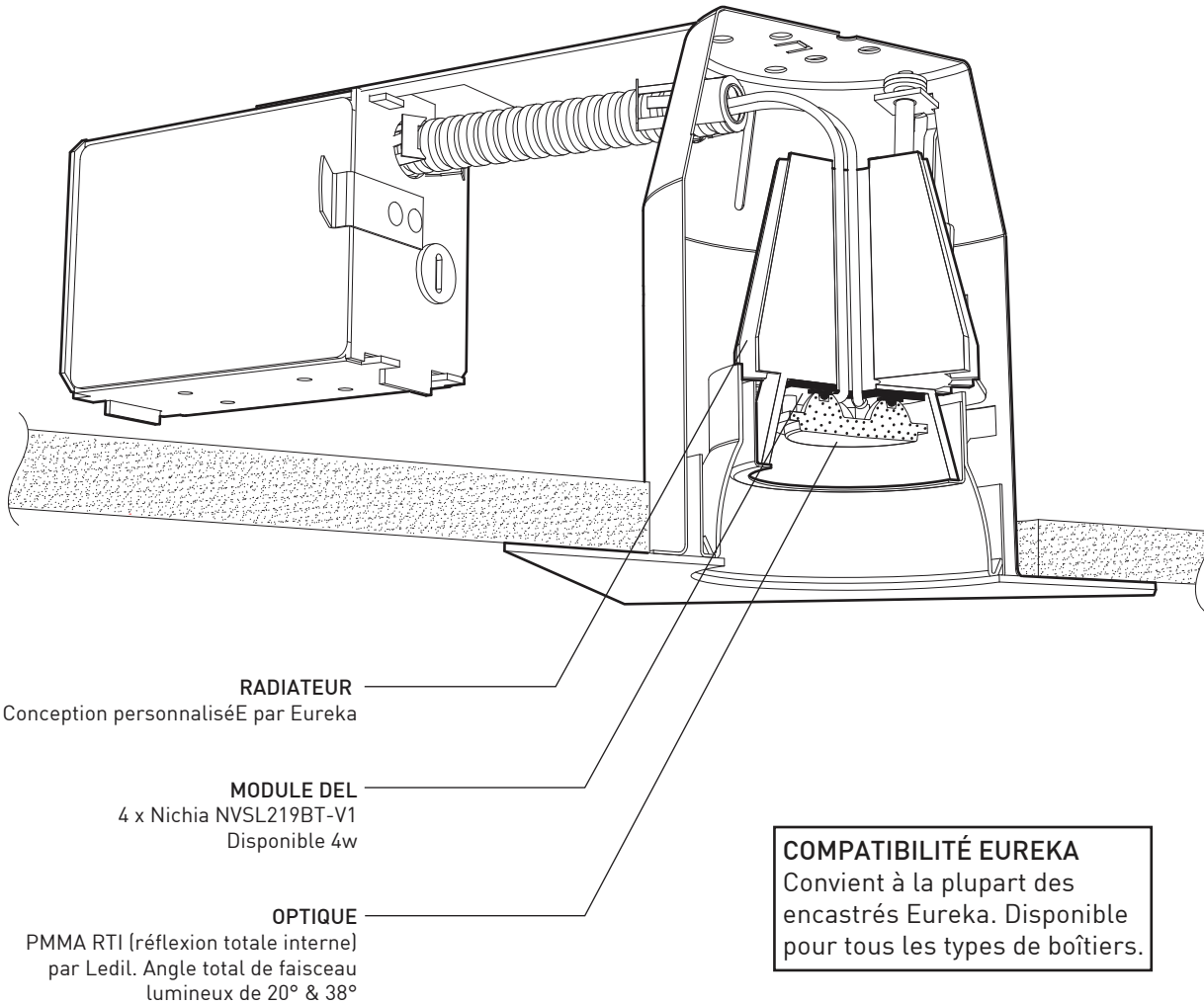
*Please consult factory for dimming & controller options.



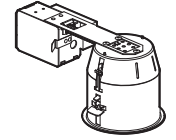
225 de Liège Ouest, Suite #200
Montréal (QC), Canada H2P 1H4
Tel : 514.385.3515 Fax : 514.385.4169
www.eurekalighting.com



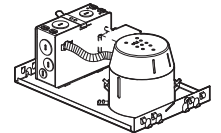
LED.4.XX.XX
LED.4.XX.XX.TL



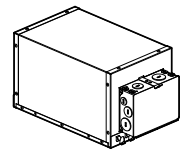
COMPATIBILITÉ EUREKA
Convient à la plupart des
encastrés Eureka. Disponible
pour tous les types de boîtiers.



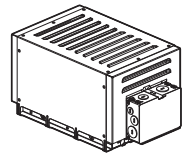
RÉNOVATION



NOUVELLE CONSTRUCTION



NOUVELLE CONSTRUCTION
(CHAMBRE À AIR &
ÉTANCHÉITÉ - PLAFOND NON-ISOLÉ)



NOUVELLE CONSTRUCTION
(ÉTANCHÉITÉ - PLAFOND ISOLÉ)

SPÉCIFICATIONS

4w

ÉMETTEUR DEL	4 x Nichia NVSL219BT-V1 (5w totale système puissance)
OPTIQUE	LEDIL TIR - angle total de faisceau de 20° ou 38°
MODULE	Reconnu par UL - Fabriqué aux États-Unis
LUMENS (LIVRÉ)	400 lm (3000K & 4000K)
EFFICACITÉ	100 lm/w (3000K & 4000K)
CCT	ANSI 3000K / 4000K 3-Step MacAdam Ellipse Binning
IRC	84 IRC (3000K & 4000K)
PILOTE (SANS GRADATION)	350 mA Courant Constant
PILOTE (GRADATION)	Gradation 0-10V / Gradation phase
VOLTAGE	120V ou 277V
L70 / LM-79	Plus que 60 000 hrs / Disponible
CERTIFICATION / GARANTIE	c-UL-us / 5 ans

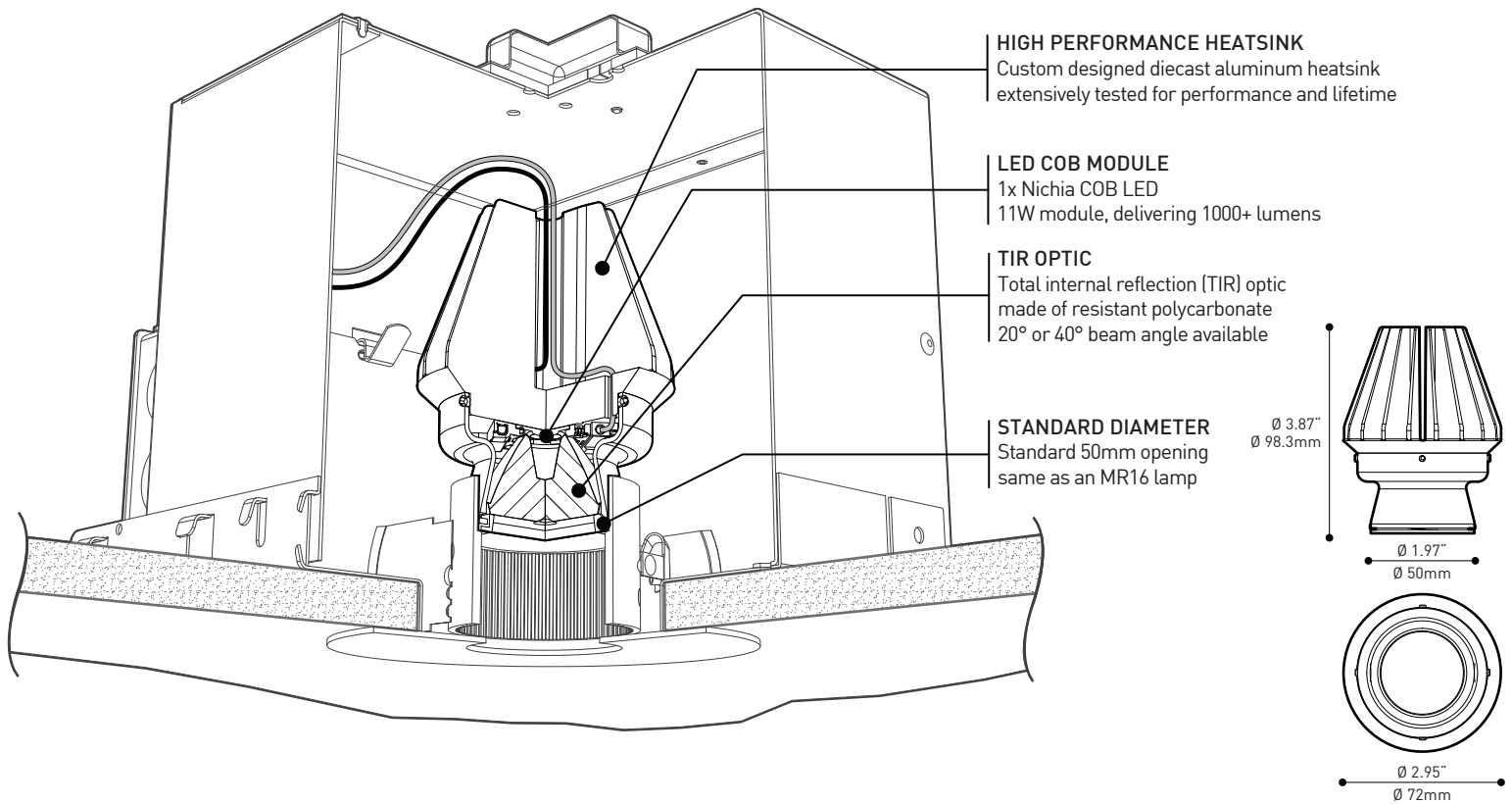
*Pour d'autres options de gradation, veuillez consulter l'usine.



225 de Liège Ouest, Suite #200
Montréal (QC), Canada H2P 1H4
Tel : 514.385.3515 Fax : 514.385.4169
www.eurekalighting.com



LED.4.XX.XX
LED.4.XX.XX.TL



HIGH PERFORMANCE HEATSINK
Custom designed diecast aluminum heatsink extensively tested for performance and lifetime

LED COB MODULE
1x Nichia COB LED
11W module, delivering 1000+ lumens

TIR OPTIC
Total internal reflection (TIR) optic made of resistant polycarbonate
20° or 40° beam angle available

STANDARD DIAMETER
Standard 50mm opening same as an MR16 lamp

Ø 3.87"
Ø 98.3mm

Ø 1.97"
Ø 50mm

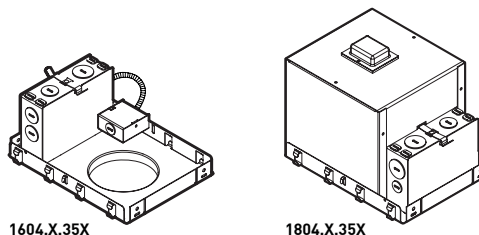
Ø 2.95"
Ø 72mm

EUREKA COMPATIBLE TRIMS

1121A	1112AD	1173A
1181A	1153A	1173AD
1111A	1153AD	1173S
1151A	1153S	1173SD
1151S	1153SD	BASS*
1112A		MEGA BASS

* LIMITED ADJUSTMENT ANGLE

EUREKA COMPATIBLE HOUSINGS



1604.X.35X

1804.X.35X



Get the latest compatible trims & compatible housings lists by consulting the eureka website:

www.eurekalkingting.com

CHARACTERISTICS

11w

LED EMITTER**	1x Nichia Chip On Board (COB) LED - 14w total system wattage
OPTICS	TIR - 20° & 40° beam angle
MODULE	UL recognized - Made in USA
LUMENS**	1067 delivered lumens
EFFICACY	90 lumens / Watt
CRI	83 CRI typical
DRIVER (DIMMING)	[Phase dimming] 120V only ***
DRIVER (DIMMING)	[0-10V dimming] 120-277V ***
VOLTAGE	120V or 277V
L70 / LM-79	50 000 hrs / On request
CERTIFICATION / WARRANTY	C-UL-us / 5 years

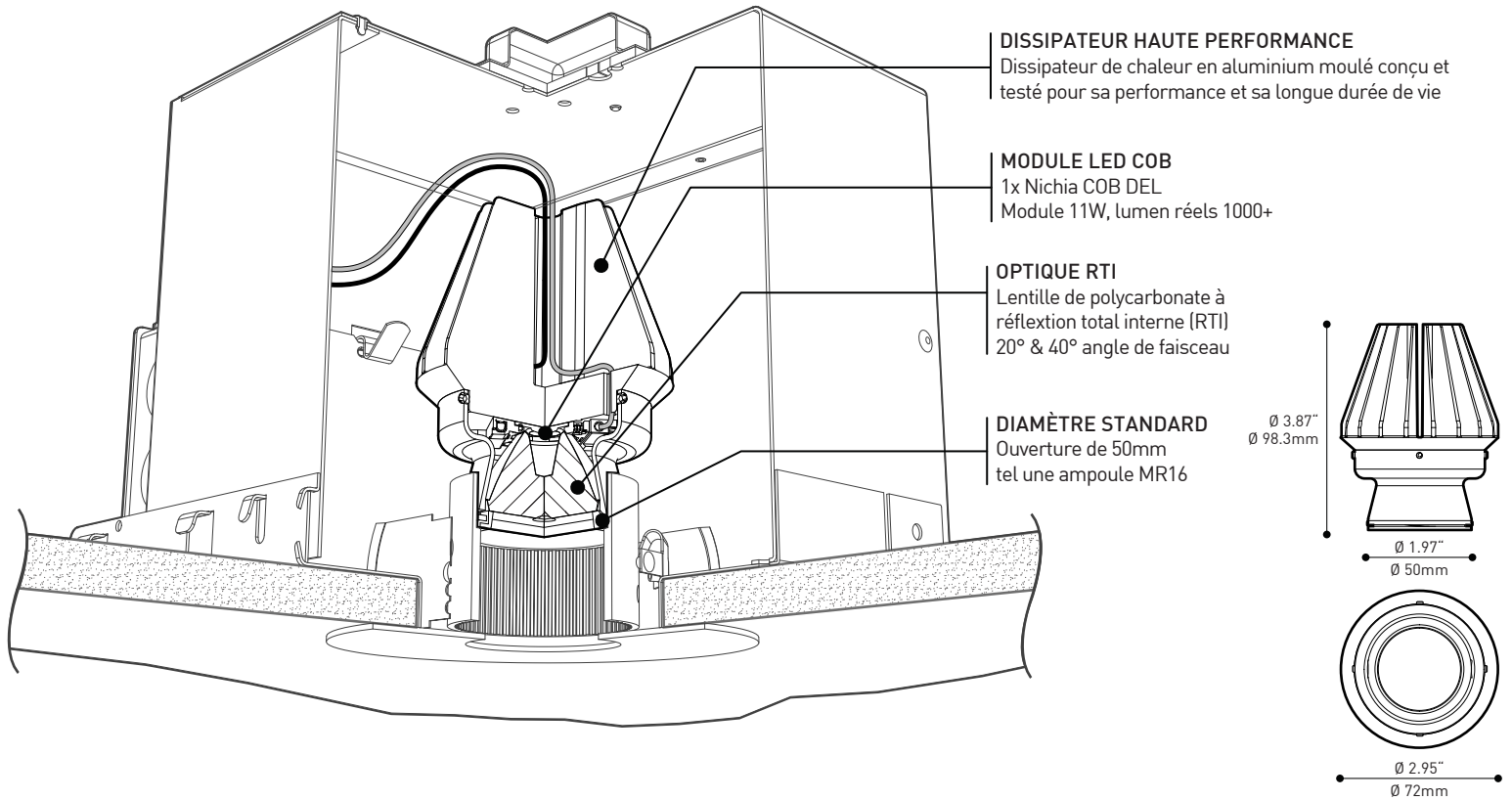
** VALUES VALIDATED ON SSL LIGHTING FACTS LABELS. 1067 DELIVERED LUMENS WITH 40 DEGREES OPTIC. LUMENS MAY VARY WITH TRIM USED.
*** PLEASE CONSULT FACTORY FOR DIMMING & CONTROLLER OPTIONS.



225 de Liège Ouest, Suite #200
Montréal (QC), Canada H2P 1H4
Tel : 514.385.3515 Fax : 514.385.4169
www.eurekalkingting.com



LED.11.XX.XX



DISSIPATEUR HAUTE PERFORMANCE

Dissipateur de chaleur en aluminium moulé conçu et testé pour sa performance et sa longue durée de vie

MODULE LED COB

1x Nichia COB DEL
Module 11W, lumen réels 1000+

OPTIQUE RTI

Lentille de polycarbonate à réflexion total interne (RTI)
20° & 40° angle de faisceau

DIAMÈTRE STANDARD

Ouverture de 50mm
tel une ampoule MR16

Ø 3.87"
Ø 98.3mm

Ø 1.97"
Ø 50mm

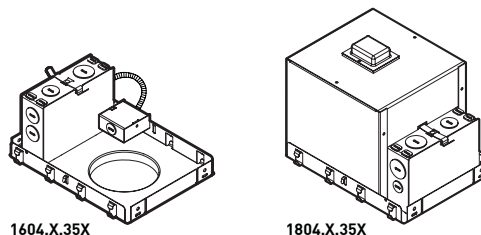
Ø 2.95"
Ø 72mm

ENCASTRÉE EUREKA COMPATIBLES

1121A	1112AD	1173A
1181A	1153A	1173AD
1111A	1153AD	1173S
1151A	1153S	1173SD
1151S	1153SD	BASS*
1112A		MEGA BASS

* ANGLE DE PIVOT LIMITÉ

BOÎTIERS EUREKA COMPATIBLES



1604.X.35X

1804.X.35X



Consultez la mise à jour de la liste des garnitures et boîtiers compatibles:

www.eurekalkinging.com

CARACTÉRISTIQUES 11w

SOURCE LUMINEUSE**	1x Nichia Chip On Board (COB) DEL- 14w total système
OPTIQUES	RTI- 20° & 40° angle de faisceau
MODULE	UL reconnu- Fabriqué aux États-Unis
LUMENS**	1067 lumens réels
EFFICACITÉ	90 lumens / Watt
IRC	83 IRC typique
PILOTE (GRADATEUR)	[Gradation de type Phase] 120V seulement ***
PILOTE (GRADATEUR)	[Gradation de type 0-10V] 120-277V ***
VOLTAGE	120V or 277V
L70 / LM-79	50 000 heures / Sur demande
CERTIFICATION / GARANTIE	C-UL-us / 5 ans

** VALEURS VALIDÉES SUR L'ÉTIQUETTE SSL LIGHTING FACTS. 1067 LUMENS RÉELS AVEC L'OPTIQUE 40 DEGRÉS. LES LUMENS PEUVENT VARIER SELON LA GARNITURE UTILISÉ.
*** VEUILLEZ COMMUNIQUER AVEC VOTRE REPRÉSENTANT POUR LA LISTE DES GRADATEURS COMPATIBLES.



225 de Liège Ouest, Suite #200
Montréal (QC), Canada H2P 1H4
Tel : 514.385.3515 Fax : 514.385.4169
www.eurekalkinging.com



LED.11.XX.XX