

Project:

**Model No: STL-38P-\_\_**

Type:

Quantity:

## Product Description

Available in two finish colors, Steelos Pendants are available as shown. These "ready-made" collections offer a less expensive, out-of-the-box option to our Custom Seraph Fixtures and Custom Seraph Systems.

## Design

- Available in Polished Chrome with matching cord and Matte Black with Black cord
- Includes hanging decorative tubes each suspended from a slim coaxial cable adjustable up to 144"
- Cutting and splicing not required, so cables can be adjusted and re-adjusted time and again
- 1" tube
- Replaceable light source

## Light

- LED color temperature: 2700K
- Color Rendering Index: 90 CRI

## Controls

- 120 VAC 50/60Hz input
- TRIAC dimmable

**Recommended TRIAC dimmers:**

- LUTRON:** SKYLARK SCL-153P, DIVA DVCL-153P, ARIADNI AYCL-153P  
**LEVITON:** DECORA DSL06 or DSM10, ILLUMATECH IPL06, SURESLIDE 6674  
**LEGRAND-ADORNE:** WHISPER ADWR, SOFTTAP ADTP, TOUCH ADTH

## Available In Two Finishes

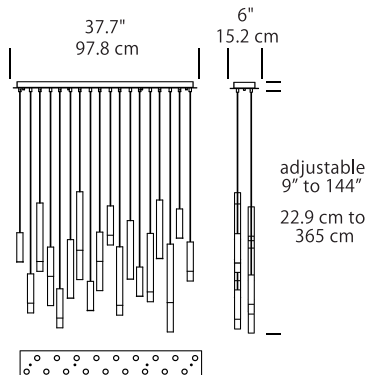


## 38" STEELOS LINEAR PENDANT (18 LIGHT)

**Model No: STL-38P-PC**  
(Polished Chrome)

**Model No: STL-38P-BL**  
(Matte Black)

Fixture Wattage: 30 Watts  
 Fixture Output: 1948 Lumens



**CUTTING  
SPLICING  
NOT  
REQUIRED**

tel: (847) 941-0588  
 fax: (847) 306-3432  
 email: [sales@blackjacklighting.com](mailto:sales@blackjacklighting.com)  
[Blackjacklighting.com](http://Blackjacklighting.com)