

Project:

**Model No: EQS-\_\_\_-PC**

Type:

Quantity:

**Product Description**

Simple geometry can create memorable forms. Sleek laser-cut metal bands intersect the flush mount or vertically “divide” the vanity up the middle. Linen-embedded diffusers ensure bright, glare-free light.

**Design**

- Chrome-plated Steel housing
- Real linen diffuser embedded in acrylic
- Replaceable light source
- Damp location rated

**Light**

- Color Rendering Index: 90 CRI
- LED color temperature: 3000K
- (4000K available as a custom upgrade)

**Controls**

- 120 VAC 50/60Hz input
- Instant on/off; dimmable with TRIAC dimmer
- Recommended TRIAC dimmers:**
- LUTRON:** ARIADNI AYCL-153P, DIVA DVCL-153P, SKYLARK CTCL-153P, SKYLARK SCL-153P;
- LEVITON:** ILLUMATECH IPI06-1L, ILLUMATECH IPI10-1L, DECORA DSL06, DECORA DSM10,
- LEGRAND-ADORNE:** WHISPER ADWR, SOFTTAP ADTP, TOUCH ADTH

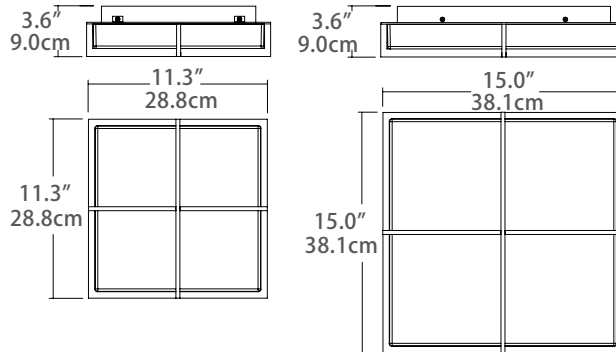


**11" Equis Flush Mount**

**Model No: EQS-11F-PC** (Polished Chrome)  
Fixture Wattage: 23W  
Approx. fixture output: 1386 lumens

**15" Equis Flush Mount**

**Model No: EQS-15F-PC** (Polished Chrome)  
Fixture Wattage: 43W  
Approx. fixture output: 2863 lumens

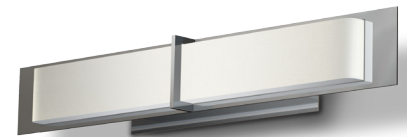
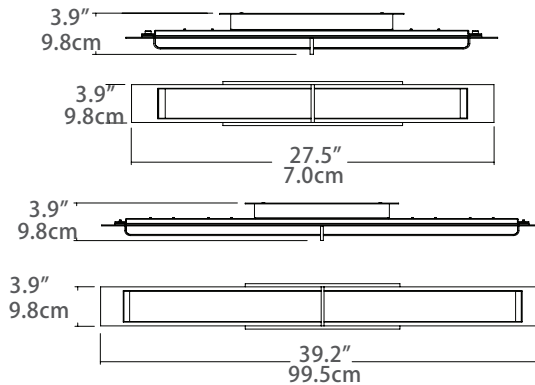


**28" Equis Vanity**

**Model No: EQS-28V-PC** (Polished Chrome)  
Fixture Wattage: 22W  
Approx. fixture output: 1383 lumens

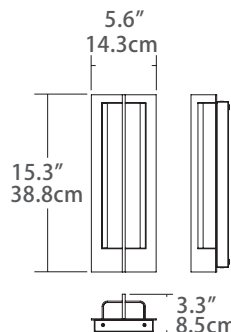
**39" Equis Vanity**

**Model No: EQS-39V-PC** (Polished Chrome)  
Fixture Wattage: 29W  
Approx. fixture output: 2173 lumens



**15" Equis Sconce**

**Model No: EQS-15S-PC** (Polished Chrome)  
Fixture Wattage: 14W  
Approx. fixture output: 715 lumens



tel: (847) 941-0588  
fax: (847) 306-3432  
email: [sales@blackjacklighting.com](mailto:sales@blackjacklighting.com)  
[Blackjacklighting.com](http://Blackjacklighting.com)