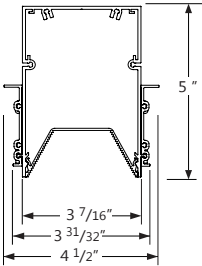




TR - trapeze shielding shape



TR - trapeze regress

Project _____

Type _____

Notes _____



Ordering Guide

ZERLED	TR	NOMINAL LUMENS/FT		CRI	COLOR TEMPERATURE	FIXTURE LENGTH
PRODUCT ID	SHIELDING SHAPE					
ZERLED Zen Recessed LED	TR trapeze regress*	400	400 lm/ft - Minimum	80	27 2700 K	2 2'
		1000	1000 lm/ft - Maximum	90	30 3000 K	3 3'
					35 3500 K	4 4'
					40 4000 K	5 5'
						6 6'
						7 7'
						8 8'
						12 12'
						S# system run*
	* All shieldings use MSO - microgroove spotless lens.	Outputs between listed min and max are available. Consult factory for outputs outside of the listed range.				Come in 1' increments * Please consult factory

FINISH	VOLTAGE	DRIVER	CIRCUITS
W white C custom	UNV universal	DP dimming (0-10V) 1% D dimming (0-10V) 5% 347V standard ⁽¹⁾ LT Lutron ⁽²⁾ BI bi-level dimming O other ⁽³⁾	1 1 circuit 2 2 circuits +E(#) emergency section
	Consult factory for 347 V	(1) For 347V only (2) Specify system (3) Please consult factory; see page 2	

MOUNTING/SUSPENSION	BATTERY (OPTIONAL)	REMOTE CONTROLS (OPTIONAL)	CUSTOM
TB9 t-bar 9/16" TB15 t-bar 15/16" ST screw slot t-bar TG9 tegular 9/16" TG15 tegular 15/16" DF drywall flange DS drywall spackle flange	B# battery pack	DS# daylight sensor DOS# daylight & occupancy sensor WC# wireless control dimming	C custom
	Not available with 347V Please consult factory	Remote only. See integrated controls guide for more details.	Please specify



● LED UPGRADE / REPLACEMENT

All LED light engines used are field replaceable and upgradable to ensure the lighting system will last for years.

● LED SYSTEM

CRI	Minimum 80 or 90 color rendering index
CCT	Choice of 3000K, 3500K and 4000K color temperature with a great color consistency (within 3-step MacAdam ellipse). Both within fixture and fixture to fixture.
LED life	Minimum 50,000h with 85% of lumen maintenance in 25°C ambient temperature, in compliance with IES LM-80 testing measurements.
Thermal Management	Aluminum housing acting as the heat sink to maximize life.
Environment	Dry and damp rated in operating ambient temperatures of 0-40°C (32-104F)

● ELECTRICAL

Lutron driver*	LDE1 - EcoSystem H-Series (1%) LDE5 - EcoSystem 5-Series (5%) LTE - Hi-Lume® A-series 2Wires Forward Phase (1%) *Consult factory
Other drivers	DALI - Digital Addressable Lighting Interface DMX - Digital Multiplex LV - line voltage - Advance Mark 10 Xitanium SR - For wireless sensor
Emergency	Integral emergency battery pack or emergency circuit optional.
Input Voltage	120V, 277V, 347V, UNV.

i Incorporating these components may have limitations or affect the length of the luminaire. Please contact factory for more details.

● UNIQUE ZEN SHIELDING OPTIONS

A new linear downlight optical concept. A Zen spotless optic with highly efficient and comfortable micro groove side walls for excellent shielding along and across.



MSO - microgroove spotless lens

● WEIGHT

ZEN 4 ft	9 lbs / 4.1 kg
ZEN 8 ft	18 lbs / 8.2 kg
ZEN 12 ft	27 lbs / 12.3 kg

● FINISH

White, black, aluminum paint, powder coated and custom finishes are also available.

● APPROVALS

Certified to UL and CSA standards
Suitable for damp locations.

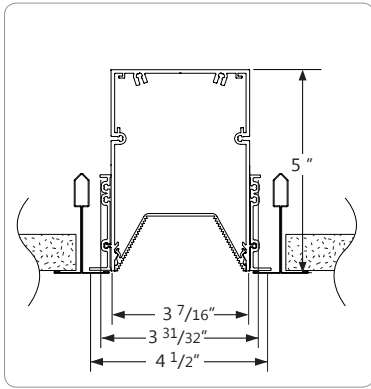


● CONSTRUCTION

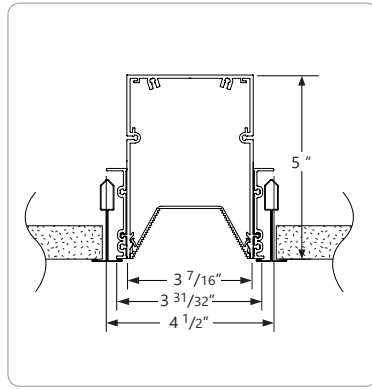
Housing	Extruded aluminum (0.075" nominal)
End Cap	Die cast aluminum (0.10" nominal)
Mounting Brackets	Cold rolled sheet steel painted (16 gauge)
Microgroove Lens	Uniform frosted acrylic lens



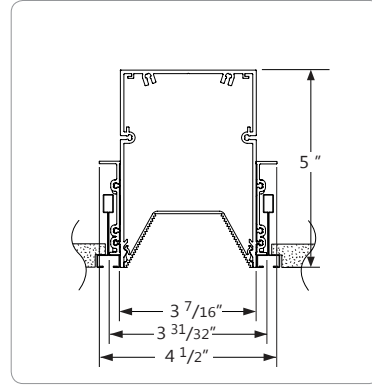
● TB CEILING MOUNTING OPTIONS



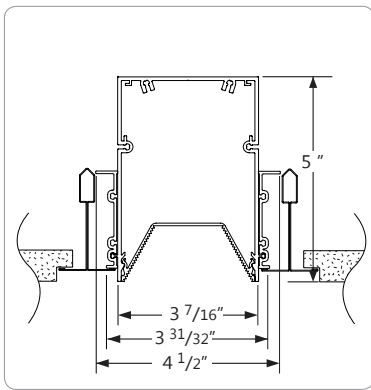
TB15 15/16" T-BAR



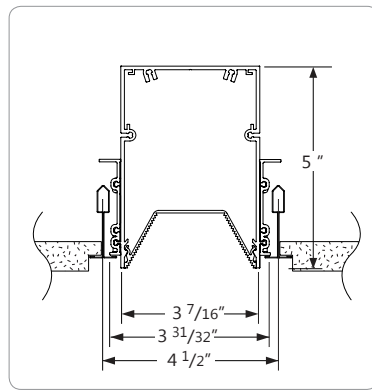
TB9 9/16" T-BAR



ST SCREW SLOT T-BAR

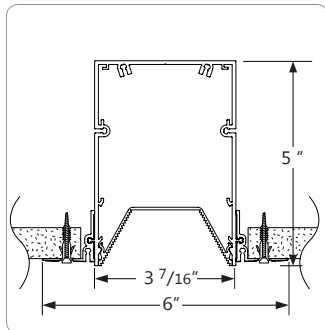


TG15 15/16" TEGULAR

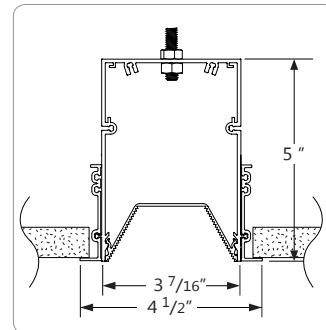


TG9 9/16" T-TEGULAR

● DRYWALL CEILING MOUNTING OPTIONS



DS SPACKLE FLANGES



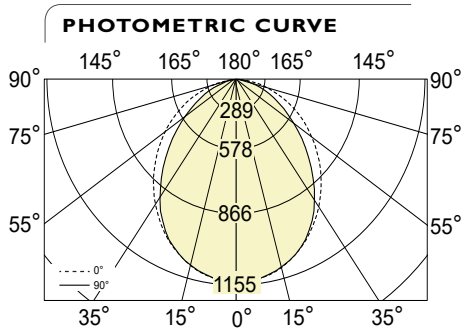
DF VISIBLE FLANGES WITH 1/4-20 STUD MOUNTING

❗ Specification sheets and installation sheets for all mountings for ZEN luminaires are available for download at www.axislighting.com



● PHOTOMETRIC DATA

TRAPEZE (TR) - 800 lm



Lumen/ft : 800 lm/ft
Total Lumens: 2919 lm (for 4ft)
Input Watts: 29.4 W
Efficacy: 99 lm/W

CRI:80 shown
 IES FILE: ZERLED-TR-800-80-35-4-W.IES
 TESTED ACCORDING TO IES LM-79-2008

CANDELA DISTRIBUTION

Vertical Angle	Horizontal Angles				
	0	22.5	45	67.5	90
0	1155	1155	1155	1155	1155
5	1150	1149	1149	1149	1149
15	1103	1102	1102	1101	1101
25	1011	1011	1011	1010	1007
35	884	885	880	856	840
45	733	735	700	649	630
55	564	563	495	442	425
65	386	370	296	262	254
75	208	178	139	125	121
85	56	38	29	25	24
90	2	2	2	2	2

ZONAL LUMENS

Zone	Lumens
0	
0-10	109
10-20	311
20-30	465
30-40	544
40-50	533
50-60	446
60-70	310
70-80	162
80-90	40
90	

LUMINANCE DATA (cd/m²)

Vertical Angle	Horizontal Angles		
	0	45	90
45	9869	7161	5935
55	9241	5609	4334
65	8383	3890	2920
75	7028	2261	1655
85	4613	647	429

i All IES files are available for download at: www.axislighting.com