

Project _____

Type _____

Notes _____

PERFORMANCE PER LINEAR FOOT AT 3500K

NOMINAL LUMEN OUTPUT	INPUT WATTS*	EFFICACY
375 lm/ft	4.5 W/ft	84 lm/W
400 lm/ft	4.9 W/ft	82 lm/W
500 lm/ft	6 W/ft	83 lm/W
750 lm/ft	9.1 W/ft	83 lm/W
1000 lm/ft	12.7 W/ft	79 lm/W

Please consult factory for custom lumen output and wattage.



Ordering Guide

WW	SL					
PRODUCT ID	LIGHT ENGINE	NOM. LUMENS/FT	CRI	COLOR TEMP.	SHIELDING (OPTIONAL)	LENGTH (FT)
WW Wall Wash Pendant SurroundLite	SL SurroundLite	375 375 lm/ft -Minimum	80 80 CRI	27 2700 K	L black louver	1 1' nominal*
		1000 1000 lm/ft* - Maximum	90 90 CRI	30 3000 K 35 3500 K 40 4000 K		2 2' 3 3' 4 4' 5 5' 6 6' 8 8' 12 12' S# system run
		* Louver not available for outputs above 500 lm/ft. Outputs between listed min and max are available. Consult factory for outputs outside of the listed range.				* Louver not available for outputs above 500 lm/ft.

FINISH	VOLTAGE	DRIVER	CIRCUITS	MOUNTING
AP aluminum paint	120 120 V	DP dimming (0-10V) 1%	1 1 circuit	CA(#) drywall+cable length (36" std.)
W white	277 277 V	LT Lutron ⁽¹⁾	2 2 circuits	CT9(#) TB/TG 9/16+cable length (36" std.)
BLK black	347 347 V	BI bi-level dimming	+E(#) emergency circuit ⁽³⁾	CT15(#) TB/TG15/16+cable length (36" std.)
C custom	UNV universal	O other ⁽²⁾		CTS(#) ST+cable length (36" std.)
				SA(#) drywall+stem length >48" (18" std.)
				+SM seismic option
		(1) Specify system (2) Please consult factory; see page 2	(3) Specify quantity	

BATTERY (OPTIONAL)	OTHER (OPTIONAL)	CUSTOM (OPTIONAL)
B# battery pack (integral)	F fuse ⁽⁴⁾	C custom
Not available with 347V Minimum 4ft; please consult factory	(4) Requires 120V or 277V Not available with 347V Please consult factory	Please specify Consult factory for combinations of wall wash perfekt and Beam 2

● CONSTRUCTION

Housing	Extruded aluminum (0.080" nominal) Up to 70% recycled content
End Cap+Joiner	Die cast aluminum
Reflectors	Specular aluminum
Blank	Extruded aluminum (0.075" nominal)
Lens	Acrylic with Microtek detail
Hanger	Die Cast Aluminum
Suspension	Aircraft Cable along product length
Cable Grips	Quick connecting / release

● ELECTRICAL

Lutron driver*	LDE1 - EcoSystem H-Series (1%) LDE5 - EcoSystem 5-Series (5%) LTE - Hi-Lume® A-series 2Wires Forward Phase (1%) *Consult factory
-----------------------	---

Other drivers	DALI - Digital Addressable Lighting Interface DMX - Digital Multiplex LV - line voltage - Advance Mark 10 Xitanium SR - For wireless sensor
----------------------	--

Emergency	Integral emergency battery pack or emergency circuit optional.
------------------	---

Input Voltage	120V, 277V, 347V, UNV.
----------------------	------------------------

i Incorporating these components may have limitations or affect the length of the luminaire. Please contact factory for more details.

● WEIGHT

Pendant LED 4ft	10.5 lbs / 4.8 kg
Pendant LED 8ft	21.0 lbs / 9.6 kg
Pendant LED 12ft	31.5 lbs / 14.4 kg

● SYSTEM (S#)

Wall Wash Perfekt linear systems, with the use of a strong profile, allow for a nearly hair thin connection system of continuous runs. Lengths from 1' to 12' are available in 1' increments. Runs of Wall Wash Perfekt that are greater than 12' in length are designated as systems (S#). This means that the run is comprised of a combination of standard length sections ranging from 4' to 12' to be assembled on site using our joining system. For more information on systems and joining, please refer to the Wall Wash Perfekt installation sheets available for download at www.axislighting.com.


● OPTICS

Optics	Patent pending vertical light guide optical system
Light guide	Patent pending vertical light guide optical system
Trim	Black multigroove linear trim
Louwer (optional)	Black deep lengthwise shielding louwer

● FINISHES

Powder coated and custom finishes are also available.

● APPROVALS

Certified to UL and CSA standards 
Meets NYC requirements
Suitable for damp locations
IC Rated (Insulated ceiling)

● WARRANTY

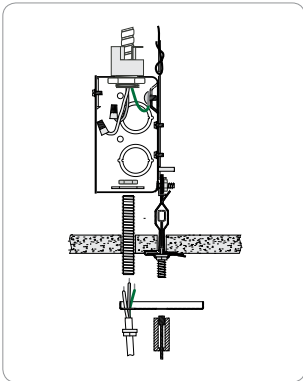
Axis Lighting will warrant defective LEDs, boards, and drivers for 5 years from date of purchase. Warranty is valid if luminaire is installed and used according to specifications. If defective, Axis will send replacement boards or drivers at no cost along with detailed replacement instructions and instructions on how to return defective components to Axis.

● LED SYSTEM

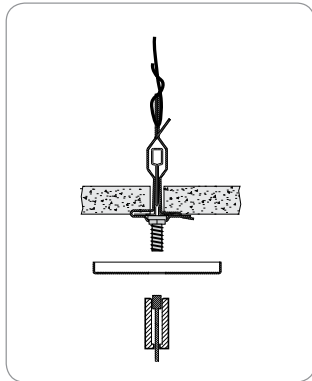
CRI	Minimum 80 or 90 color rendering index
CCT	Choice of 2700K, 3000K, 3500K and 4000K color temperature with a great color consistency (within 3.5-step MacAdam ellipse).
LED life	Minimum 50,000h with 70% of lumen maintenance in 25°C ambient temperature, in compliance with IES LM-80 testing measurements.
Thermal management	Aluminium housing acting as the heat sink to maximize life.

● MOUNTING OPTIONS

CT TILE CEILING - ON GRID

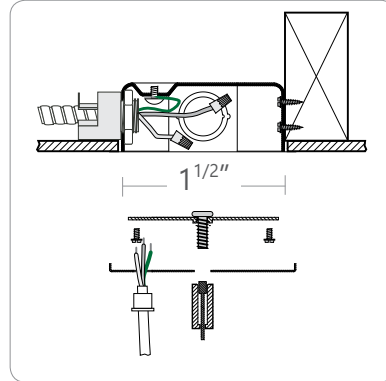


Power feed

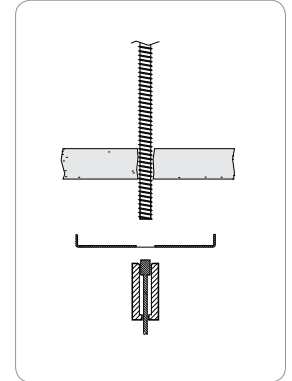


Non power feed

CA DRYWALL CEILING



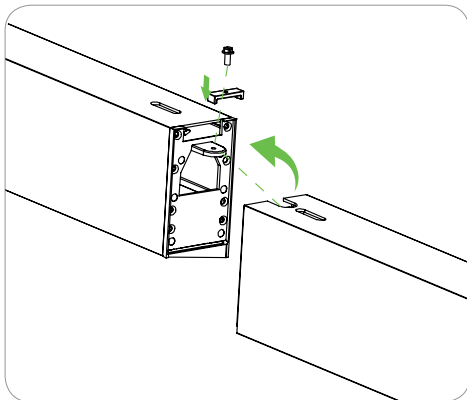
Power feed



Non power feed

● JOINERS

Wall Wash Perfekt Pendant features an Axis designed joining mechanism that allows for linear system runs (lengths longer than 12').

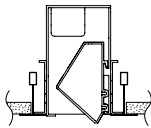


NOTE: Mount each system segment individually.
Do not assemble system prior to mounting.

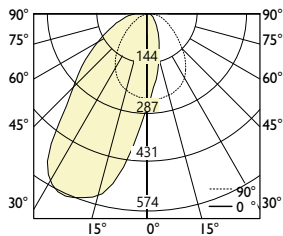
i Allow a minimum of 3" between end of long runs and vertical wall

● PHOTOMETRIC DATA

375 lm/ft



PHOTOMETRIC CURVE



Total Lumens: 750 lm (for 2ft)
Lumens ft/down: 375 lm/ft
Input Watts: 8.9 W
Efficacy: 84 lm/W
 IES FILE: WWR-SL-375-80-35-W-2.IES

TESTED ACCORDING TO IES LM-79-2008

CANDELA DISTRIBUTION

Vertical Angle	Horizontal Angles				
	0	22.5	45	67.5	90
0	242	242	242	242	242
5	188	192	203	220	243
15	100	109	134	175	236
25	48	55	78	126	217
35	19	24	42	80	177
45	1	5	17	47	122
55	1	1	1	25	78
65	0	0	1	8	48
75	0	0	0	1	30
85	0	0	0	0	9
90	0	0	0	0	0

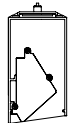
ZONAL LUMENS

Zone	Lumens
0	
0-10	24
10-20	80
20-30	127
30-40	149
40-50	131
50-60	101
60-70	70
70-80	44
80-90	23
90	

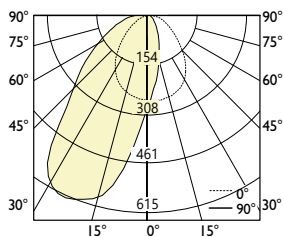
LUMINANCE DATA (cd/m²)

Vertical Angle	Horizontal Angles		
	0	45	90
45	108	1397	10008
55	69	149	7875
65	43	108	6620
75	12	47	6653
85	105	105	5945

400 lm/ft



PHOTOMETRIC CURVE



Total Lumens: 804 lm (for 2ft)
Lumens ft/down: 400 lm/ft
Input Watts: 9.8 W
Efficacy: 82 lm/W
 IES FILE: WWR-SL-400-80-35-W-2.IES

TESTED ACCORDING TO IES LM-79-2008

CANDELA DISTRIBUTION

Vertical Angle	Horizontal Angles				
	0	22.5	45	67.5	90
0	259	259	259	259	259
5	201	206	218	236	260
15	107	116	143	187	253
25	51	59	83	135	232
35	20	26	45	86	190
45	1	5	18	50	131
55	1	1	2	27	84
65	0	1	1	8	52
75	0	0	0	1	32
85	0	0	0	0	10
90	0	0	0	0	0

ZONAL LUMENS

Zone	Lumens
0	
0-10	26
10-20	85
20-30	136
30-40	160
40-50	141
50-60	108
60-70	75
70-80	47
80-90	25
90	

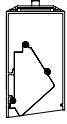
LUMINANCE DATA (cd/m²)

Vertical Angle	Horizontal Angles		
	0	45	90
45	115	1496	10723
55	74	159	8437
65	46	116	7093
75	13	51	7128
85	112	112	6369

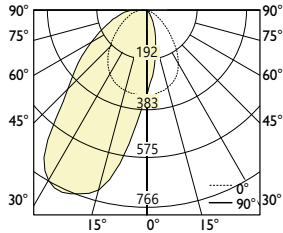
i All IES files are available for download at: www.axislighting.com

● PHOTOMETRIC DATA

500 lm/ft



PHOTOMETRIC CURVE



Total Lumens: 1001 lm (for 2ft)
Lumens ft/down: 500 lm/ft
Input Watts: 12 W
Efficacy: 83 lm/W
 IES FILE: WWR-SL-500-80-35-W-2.IES

TESTED ACCORDING TO IES LM-79-2008

CANDELA DISTRIBUTION

Vertical Angle	Horizontal Angles				
	0	22.5	45	67.5	90
0	322	322	322	322	322
5	250	257	272	294	324
15	134	145	178	233	315
25	64	73	104	168	289
35	25	32	56	107	236
45	2	6	23	63	163
55	1	1	2	33	104
65	0	1	1	10	65
75	0	0	0	1	40
85	0	0	0	0	12
90	0	0	0	0	0

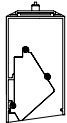
ZONAL LUMENS

Zone	Lumens
0	
0-10	33
10-20	106
20-30	170
30-40	199
40-50	175
50-60	135
60-70	94
70-80	59
80-90	31
90	

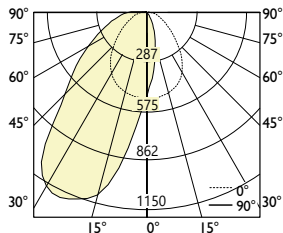
LUMINANCE DATA (cd/m²)

Vertical Angle	Horizontal Angles		
	0	45	90
45	144	1864	13356
55	92	198	10509
65	58	144	8835
75	16	63	8879
85	140	140	7934

750 lm/ft



PHOTOMETRIC CURVE



Total Lumens: 1502 lm (for 2ft)
Lumens ft/down: 750 lm/ft
Input Watts: 18.2 W
Efficacy: 83 lm/W
 IES FILE: WWR-SL-750-80-35-W-2.IES

TESTED ACCORDING TO IES LM-79-2008

CANDELA DISTRIBUTION

Vertical Angle	Horizontal Angles				
	0	22.5	45	67.5	90
0	483	483	483	483	483
5	375	385	407	440	486
15	201	217	267	350	473
25	96	110	156	252	433
35	37	48	84	161	354
45	3	10	34	94	245
55	1	2	3	50	156
65	1	1	2	16	97
75	0	0	0	2	60
85	0	0	0	0	18
90	0	0	0	0	0

ZONAL LUMENS

Zone	Lumens
0	
0-10	49
10-20	160
20-30	254
30-40	298
40-50	263
50-60	202
60-70	140
70-80	89
80-90	46
90	

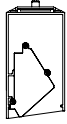
LUMINANCE DATA (cd/m²)

Vertical Angle	Horizontal Angles		
	0	45	90
45	216	2795	20034
55	138	298	15764
65	87	217	13252
75	23	94	13318
85	210	210	11900

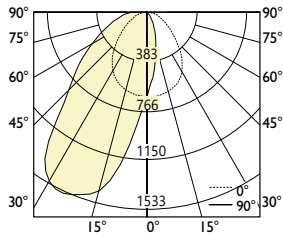
i All IES files are available for download at: www.axislighting.com

● PHOTOMETRIC DATA

1000 lm/ft



PHOTOMETRIC CURVE



Total Lumens: 2002 lm (for 2ft)
Lumens ft/down: 1000 lm/ft
Input Watts: 25.4 W
Efficacy: 79 lm/W
 IES FILE: WWR-SL-1000-80-35-W-2.IES

TESTED ACCORDING TO IES LM-79-2008

CANDELA DISTRIBUTION

Vertical Angle	Horizontal Angles				
	0	22.5	45	67.5	90
0	645	645	645	645	645
5	500	513	543	587	649
15	267	290	356	466	630
25	128	146	208	336	578
35	50	64	112	214	472
45	4	13	46	125	327
55	2	2	4	67	208
65	1	1	2	21	129
75	0	0	1	2	79
85	0	0	0	0	24
90	0	0	0	0	0

ZONAL LUMENS

Zone	Lumens
0	
0-10	65
10-20	213
20-30	339
30-40	397
40-50	350
50-60	270
60-70	187
70-80	118
80-90	62
90	

LUMINANCE DATA (cd/m²)

Vertical Angle	Horizontal Angles		
	0	45	90
45	288	3727	26712
55	184	397	21018
65	116	289	17670
75	31	126	17758
85	279	279	15867

i All IES files are available for download at: www.axislighting.com